

## Application

Baufix 50 is a compact sump designed for the installation in foundation rafts or cellar floors. Together with the submersible motorised pump U 3 KS, it is suitable for the drainage of domestic wastewater from washbasins, sinks, showers and washing machines in cellars or lavatories. The floor drain in the cover of the sump protects the location against bigger floods. The introduction of wastewater from toilets and urinals is not permitted.

The pressure-resistant sump is placed into the pit without formwork; the pipes are connected and the sump embedded flush in concrete. The installation in areas subject to the groundwater flooding is permitted only along with additional measures (water-tight concrete shell) as the connection between PE and concrete does not withstand pressing water.

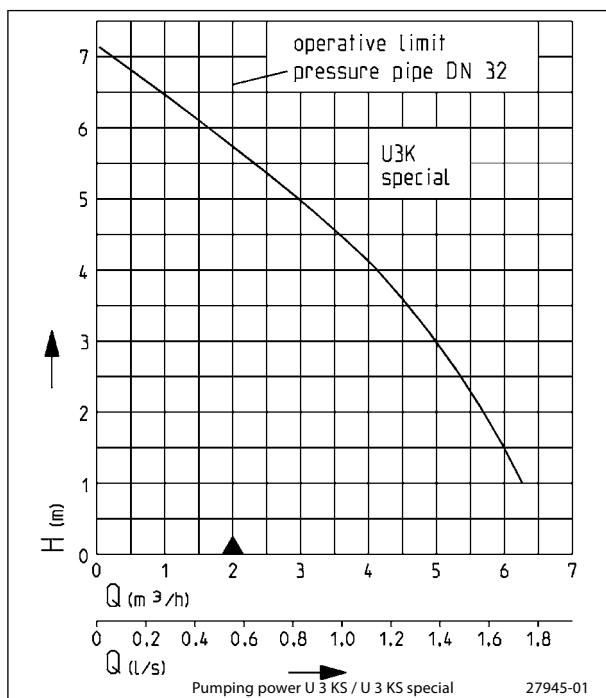
In combination with the height-adjustable and rotatable cover made of plastic, the shaped sump neck permits a perfect level compensation at the installation site. Thus, the installation depth of the sump may vary between 45 and 71 cm. The arrangement of the combined inlets in the lower part of the sump permits installation in flat pits as well.

The swing-type check valve fitted in the works of the manufacturer prevents the reflux of the waste-water from the pressure pipe into the sump. The standard odour trap stops annoyance caused by offensive odour. The screw clamp with wing bolt in the container ensures ease of installation and maintenance of the pump.

For deeper installation depths or more powerful pumps, we recommend the use of Baufix 100 and Baufix 200.

The unit is in conformity with the specification of German / European standard DIN EN 12050.

## Performance



We reserve the right to change specifications without notice  
 Pump performance is subject to ISO 9906 tolerances  
 The minimum flow velocity in the pressure piping must be 0.7 m/s according to EN 12056.  
 This data is represented in the performance curve as a limit of application.



- Odour trap
- Floor drain
- Integrated sump extension
- Complete pressure pipe in the sump
- Mounted swing-type check valve
- Level compensating frame
- Quick-lock of the pump
- Two combination inlets DN 50/100



## Underfloor sump Baufix 50

### Underfloor sump

Type	Dimensions H x W x D	Weight	Code No.
Baufix 50 sump with cover and floor drain, without pump	575 x 405 x 380 mm	11.5 kg	09335

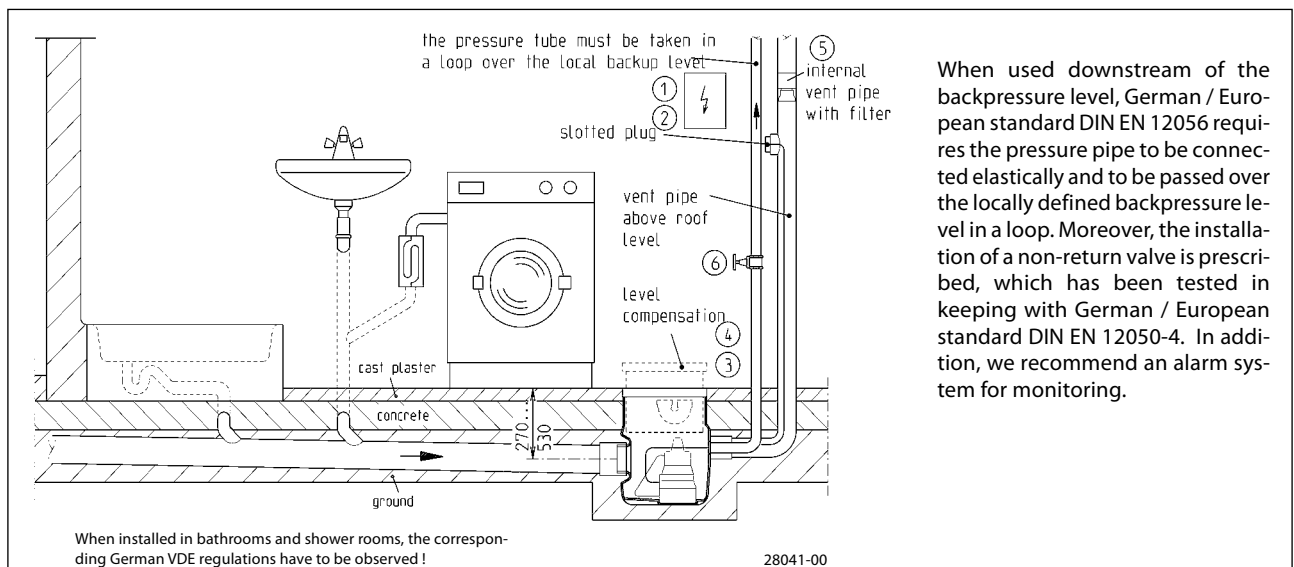
### Performance

Type	Delivery head H [m]	1	2	3	4	5	6
U 3 KS	Flow rate Q [m <sup>3</sup> /h]	6.5	5.5	5	4	3	1.5
U 3 KS special		6.5	5.5	5	4	3	1.5

### Electrical data

Baufix 50 sump optionally with type	Type of current	Voltage Volt	Motor rating kW		RPM min. <sup>-1</sup>	Current Ampere	Motor protection	Plug
			P <sub>1</sub>	P <sub>2</sub>				
U 3 KS	1-phase	1/N/PE~230	0.32	0.20	2720	1.4	installed in the winding	Safety-
U 3 KS special	1-phase	1/N/PE~230	0.32	0.20	2720	1.4		Safety-

### Mounting arrangement Baufix 50



When used downstream of the backpressure level, German / European standard DIN EN 12056 requires the pressure pipe to be connected elastically and to be passed over the locally defined backpressure level in a loop. Moreover, the installation of a non-return valve is prescribed, which has been tested in keeping with German / European standard DIN EN 12050-4. In addition, we recommend an alarm system for monitoring.

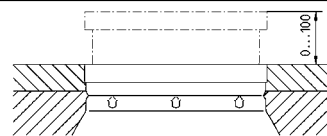
**Accessories**

		Code No.						
	<b>① Alarm system</b> , mains dependent, with potential-free contact, 3 m cable, resistant to hot water	20198						
	<b>Alarm system AWR 3 with washing machine stop</b> with reed switch, mains dependent, 3 m cable, resistant to hot water	25092						
	<b>Alarm system AWO with washing machine stop</b> (plug housing - for alarm forwarding in case of several washing machines)	25233						
	<b>Fastener for alarm switch</b>	28191						
	<b>② Rechargeable battery</b> for mains-independent alarm	07562						
	<b>③ Cover plate</b> , stainless steel, to be tiled with floor drain and odour trap	24024						
	<b>④ Cover frame</b> stainless steel,	28118						
	<b>⑤ Special ventilation</b> , special filter with housing	27484						
	<b>⑥ Stop valve</b> , 1 1/4"	<table border="0"> <tr> <td style="text-align: center;">H</td> <td style="text-align: center;">B</td> <td style="text-align: center;">D</td> </tr> <tr> <td style="text-align: center;">110</td> <td style="text-align: center;">max. 60</td> <td style="text-align: center;">1 1/4"</td> </tr> </table>	H	B	D	110	max. 60	1 1/4"
H	B	D						
110	max. 60	1 1/4"						

**Mounting instructions**

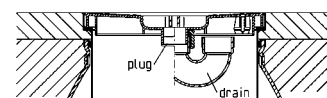
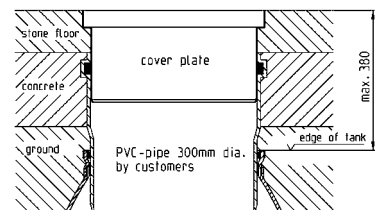
**Floor level compensation**

The cover with the round throat shoulder in the sump opening can be aligned vertically and rotationally. Thus, Baufix can be adapted to the effective upper edge of floor coverings or tiles laid at a later point. A profile sealing ring is used to seal the space between sump and cover.



**Odour trap**

An odour trap is provided as a standard for the floor drain. The necessary siphon components belong to the scope of supply.



4 22314-03

## Technical data

### Tank

Water-tight PE tank (40 to 55 l) with two combined inlets (DN 50 as sleeve / DN 100 as connecting piece) for space-saving connection, connecting piece for ventilation / cable conduit (DN 70) and connecting piece for pressure pipe DN 32 (PVC pipe, diam. 40 mm), integrated sump extension, level-compensating plastic cover frame, odour-tight plastic cover (screw fitted) and odour-tight floor drain. All junctions (tank / plastic cover frame and plastic cover frame / cover plate) are fitted with profiled seals.

### Installation

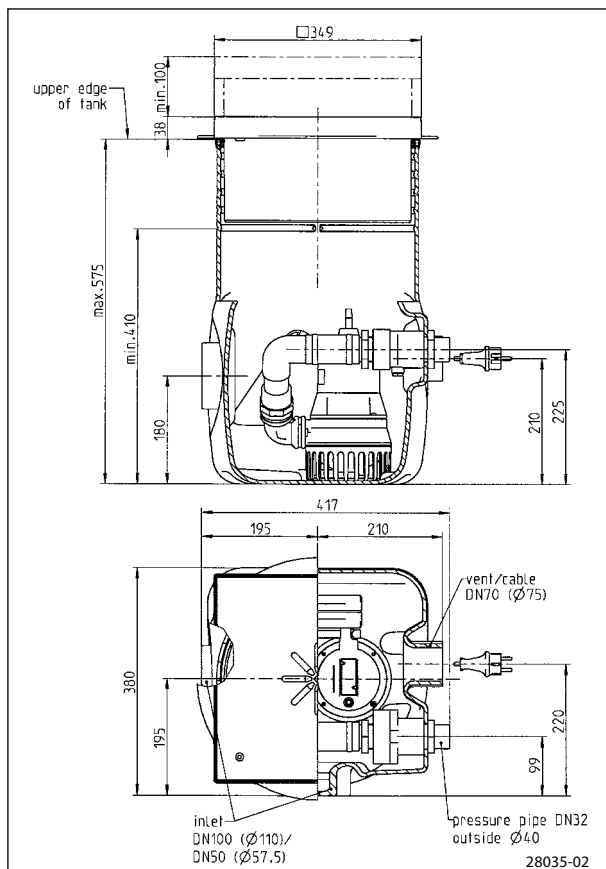
Place the tank into the prepared pit or the existing chamber; align and shorten to the requested dimension, if and when required. Make the pipe connections, and encase the sump with concrete flush with the upper edge. Insulation, screed and flooring material are levelled by the height-adjustable plastic cover frame. Connect the special float for low switching heights and pressure pipe ports to the pump and join with the elastic pipe to the pre-mounted non-return valve. Pass the power cable of the pump through the venting / cable conduit up to the T piece provided by the customer. The outlet is then sealed odour-tight with the closing plug provided. If ventilation is not possible via the roof, the special ventilation system (see accessories / installation drawing) can be used.

**Caution: It is not necessary to cut off the plug.**

### Scope of supply

Plastic tank to house a pump tested in keeping with German / European standard DIN EN 12050 with shaped connecting piece, shaped sump extension, level-compensating plastic cover frame with cover plate, odour trap for the floor drain, discharge branch with swing type-check valve and pressure pipe premounted in the tank, special float for lower switching heights, plug-in seal DN 50, closing plug for cable conduit (without pump).

## Dimensions Baufix 50 (mm)



## Alarm device

