

Flushing tube Type I
code No. 28588 for UAK/UFK 25 and 35 AW

Description

This manual applies to a Jung Pumpen flushing tube for a submersible sewage pump of the UAK or UFK series.

Application

This flushing tube is designed for sump cleaning, minimization of sediments, destroying of surface scum and air permeation of wastewater in problematical installation situations.

Please read the instructions carefully and completely.

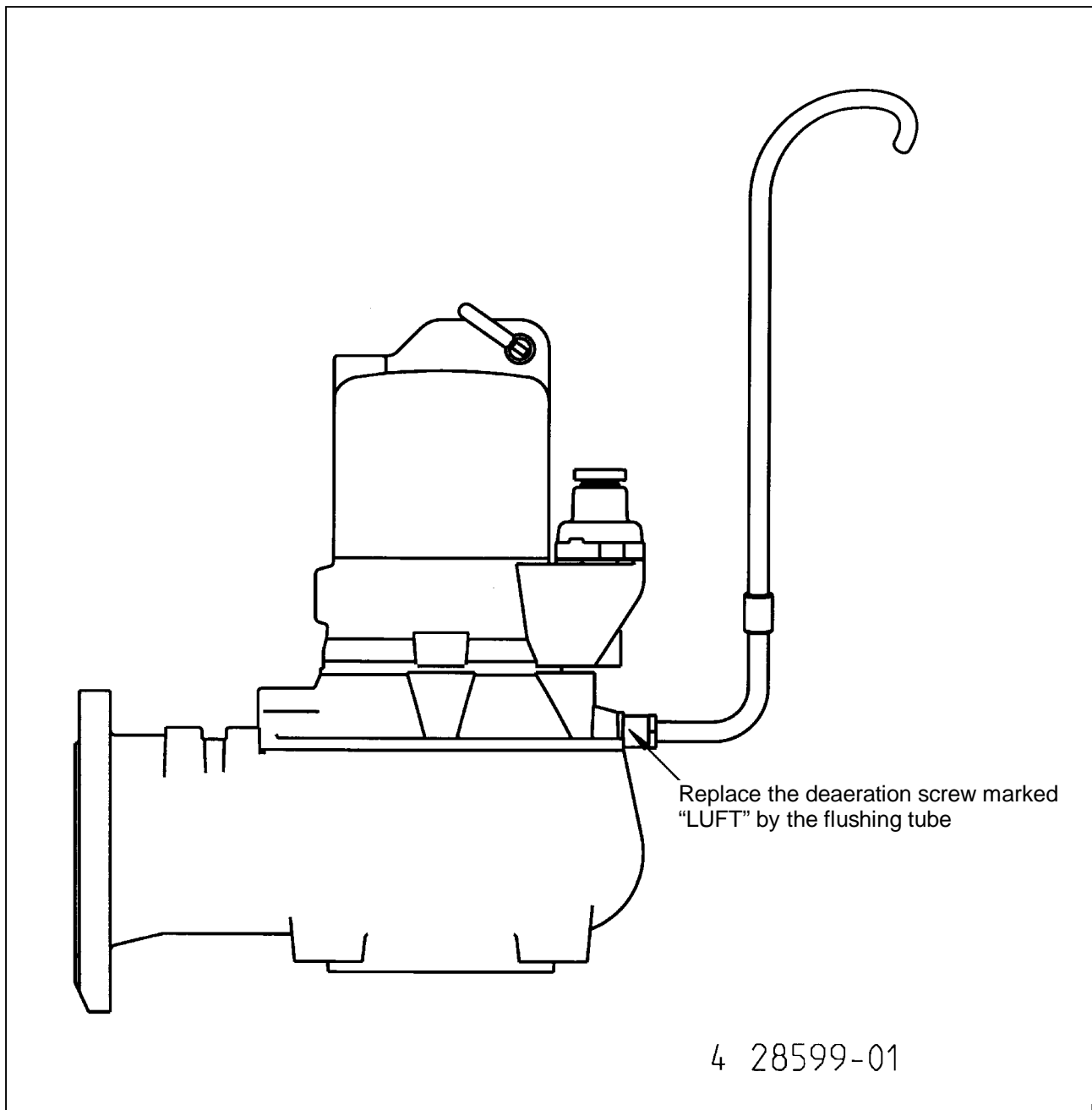
Installation

1. Take the deaeration screw marked "LUFT" out of the volute casing.
2. Seal the reducing nipple and the elbow with hamp or sealing tape and screw it into the female thread
3. Install the sealed sleeve and flushing tube in a position that it can generate a circular flow in the sump preferably without any quiescent areas (see picture 1)

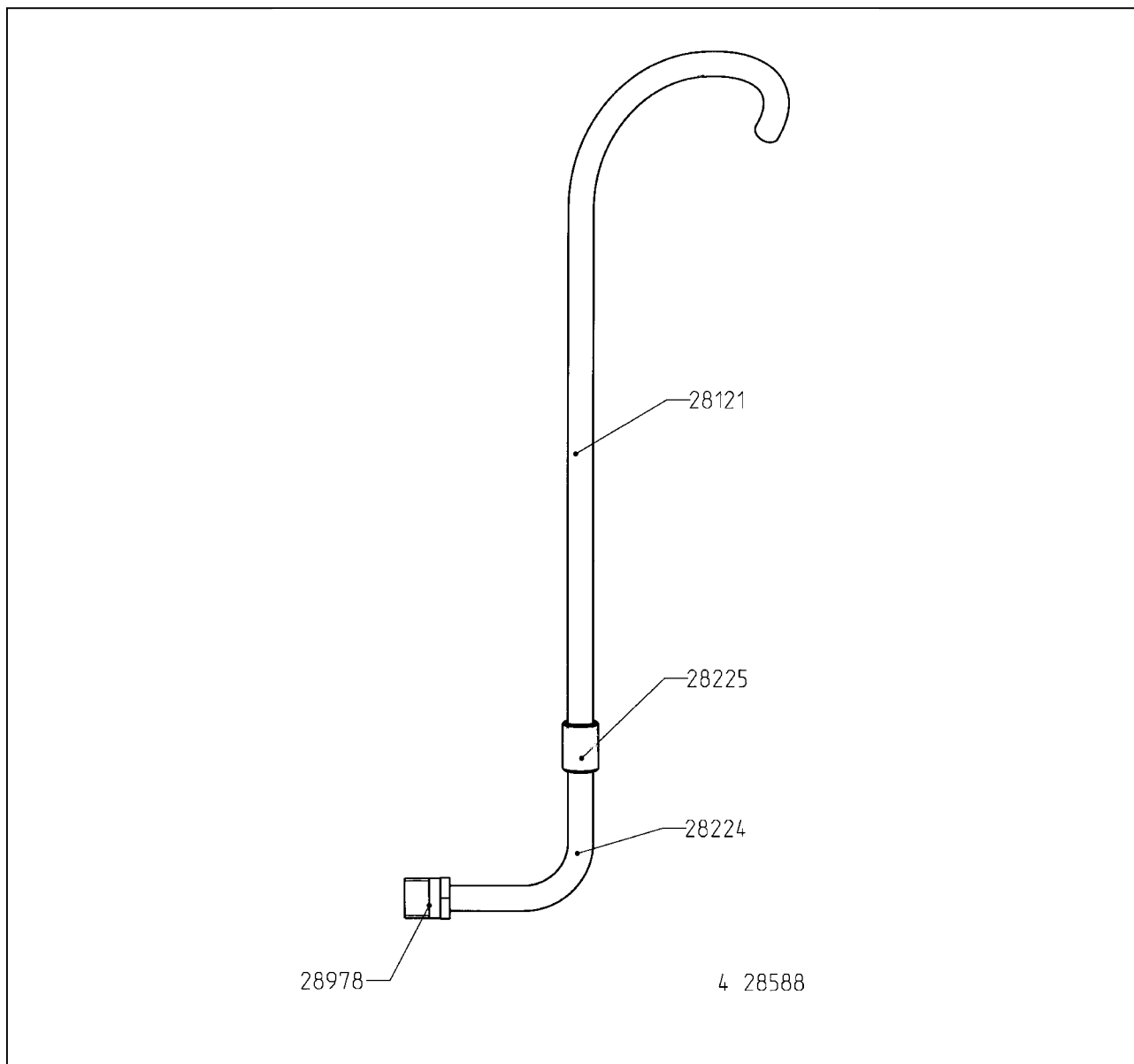
WARNING

A suitable flushing effect will only be created by a manometric pressure $\geq 6,0$ m.

Picture 1: Installation Type I - AW



Picture 2: Flushing tube Type I - AW



Spare parts list

Position	Code-No.	Description	Qty
1	28121	flushing tube type I	1
2	28225	bushing ¼"	1
3	28224	elbow ¼"	1
4	28978	reducing nipple N4 ½ x ¼"	1

By ordering spare parts indicate type of the pump and the part number.