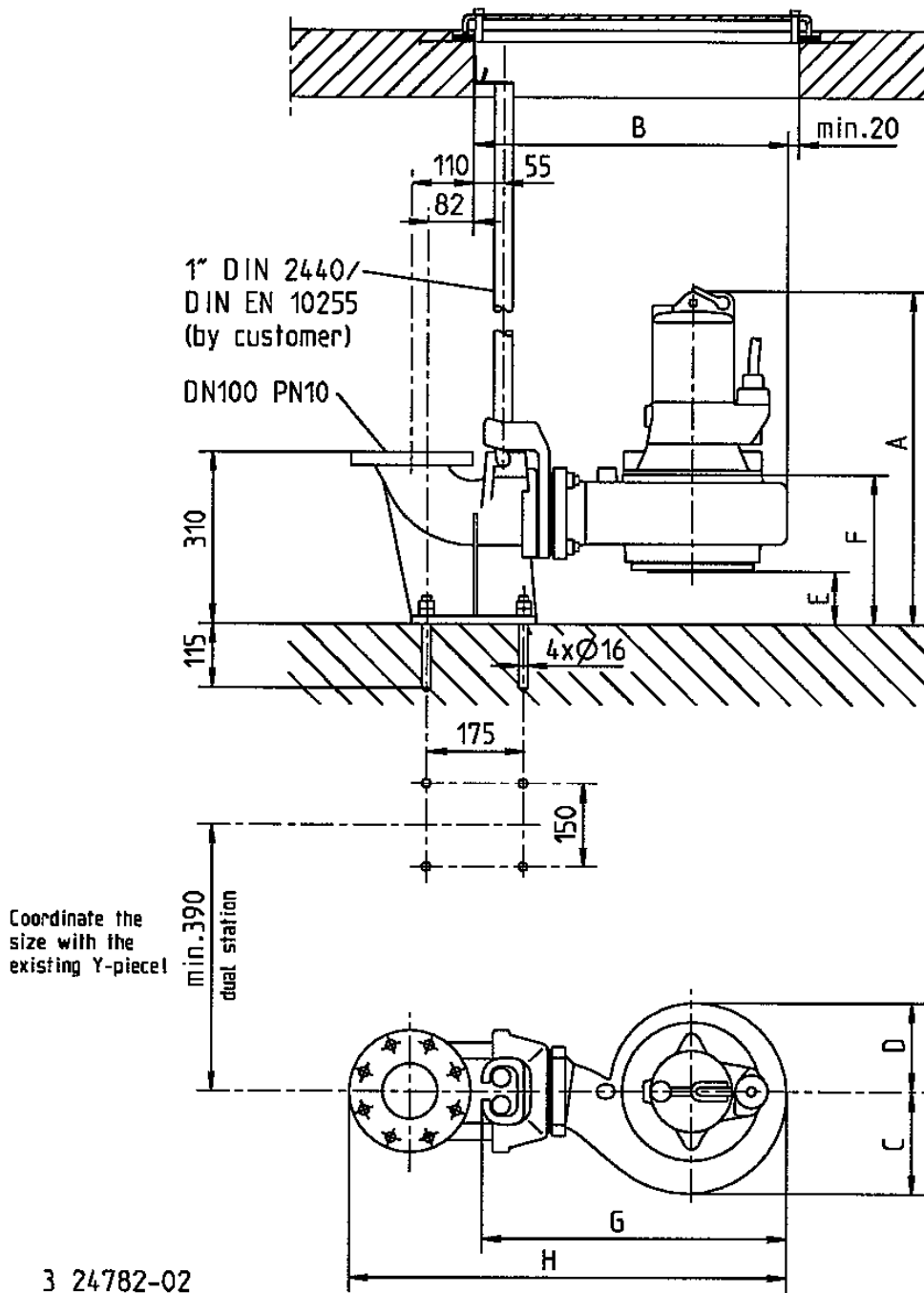


Spare parts

Pos.	Code-No.	Description	Qty
1.	21340	duckfoot bend	1
2.	28029	guide rail claw incl. No. 3 + 4	1
3.	27959	profiled seal DN 100	1
4.	29517	stud M16 x 50 A2	4
5.	17766	hexagon nut M16	8
6.	28523	plug M16	4
7.	14055	plug S14	2
8.	17921	wood screw 12 x 60	2
9.	40104	bracket 1"	1
10.	40124	hex head screw M6 x 35	2
11.	40106	rubber clamping sleeve 1"	2

Replacement kits

28516 guide rail claw complete, consisting of Pos. 2, 3, 4,5



pumpe type	A	B	C	D	E	F	G	H
25/4 C1	565	570	185	160	95	270	550	790
35/4 C1	600	570	185	160	95	270	550	790
10/4 CW1	565	540	140	140	120	270	520	760
15/4 CW1	565	540	140	140	120	270	520	760
25/4 CW1	565	540	140	140	120	270	520	760
35/4 CW1	600	540	140	140	120	270	520	760