

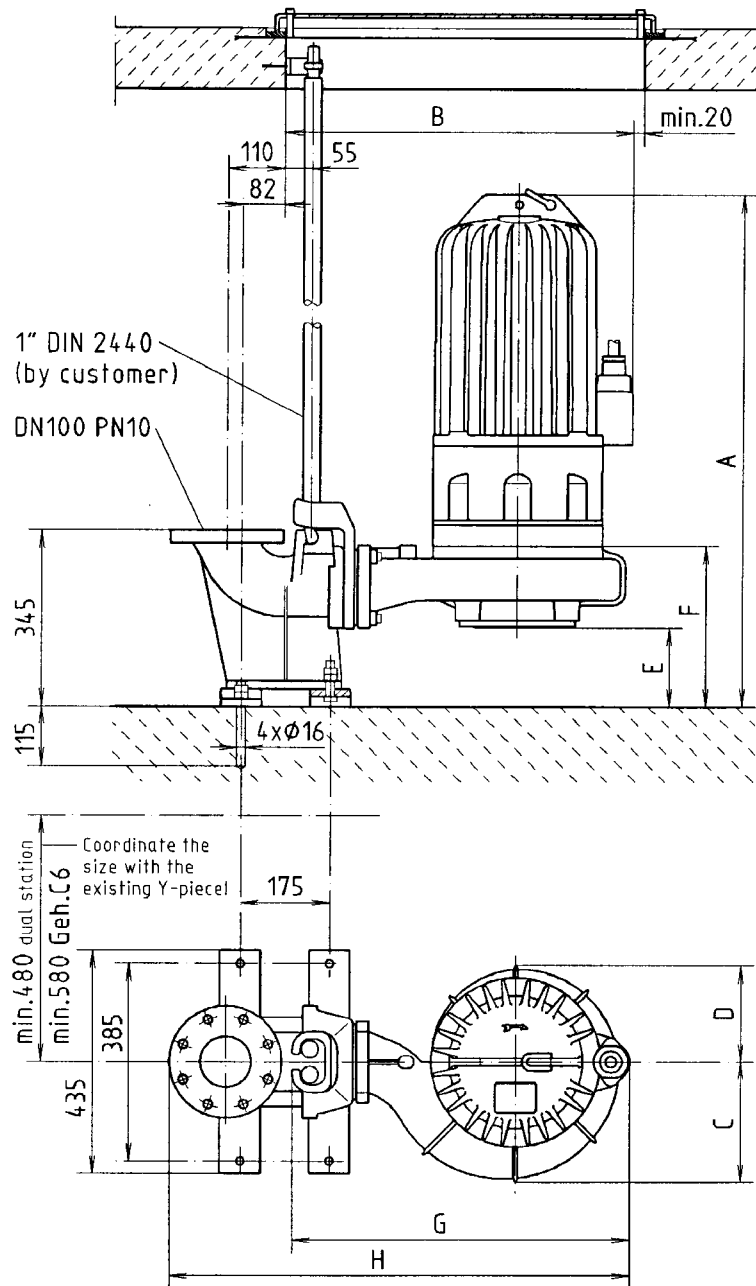
Spare parts

Pos.	Code-No.	Description	Qty
1.	21340	duckfoot bend	1
2.	28029	guide rail claw incl. No. 3 + 4	1
3.	27959	profiled seal DN 100	1
4.	29517	stud M16 x 50 A2	4
5.	17766	hexagon nut M16	16
6.	28523	plug M16	4
7.	20951	tie bar	1
8.	18773	hexagon head screw M 16 x 70	4
9.	11583	washer A 17	4
10.	14055	plug S14	2
11.	17921	wood screw 12 x 60	2
12.	04168	bracket 1"	1
13.	20650	tube protector cap	2

Replacement kits

28516 guide rail claw complete, consisting of Pos. 2, 3, 4,5

Assembly manual and spare parts list



3 25321-01

pump type	A	B	C	D	E	F	G	H
200/2 B6	910	680	235	190	155	315	660	900
300/2 B6	1000	680	235	190	155	315	660	900
55/4 B6	765	670	235	190	155	315	650	890
75/4 B6	765	670	235	190	155	315	650	890
55/4 C5	765	645	230	180	125	315	625	865
75/4 C5	765	645	230	180	125	315	625	865
100/4 C5	825	645	230	180	125	315	625	865
150/4 C6	910	755	290	250	105	315	735	975
230/4 C6	1000	755	290	250	105	315	735	975
300/4 C6	1000	755	290	250	105	315	735	975
55/4 CW2	775	640	195	195	135	330	620	860
75/4 CW2	775	640	195	195	135	330	620	860
35/46B6	765	670	235	190	155	315	650	890
55/46B6	825	670	235	190	155	315	650	890