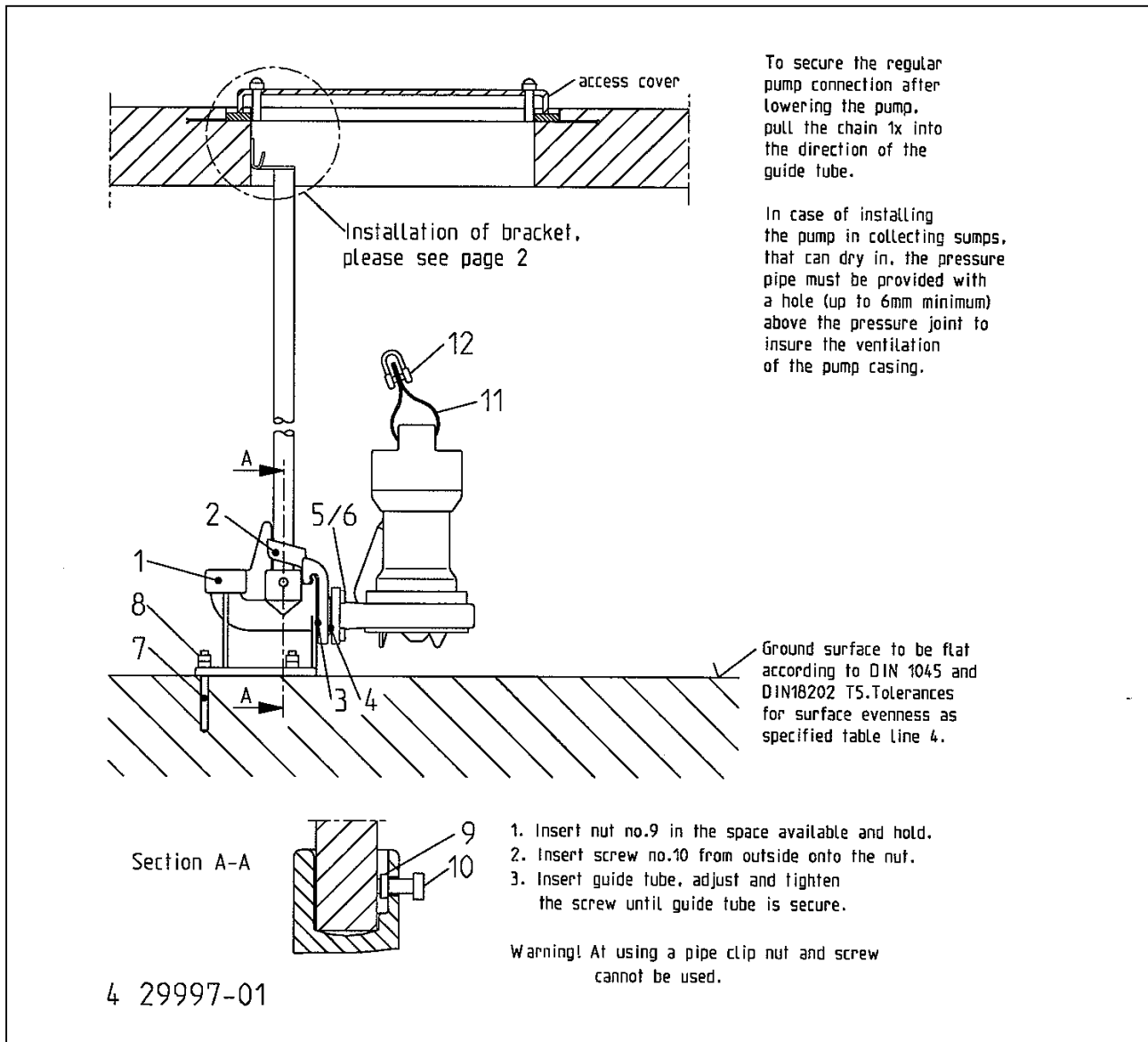


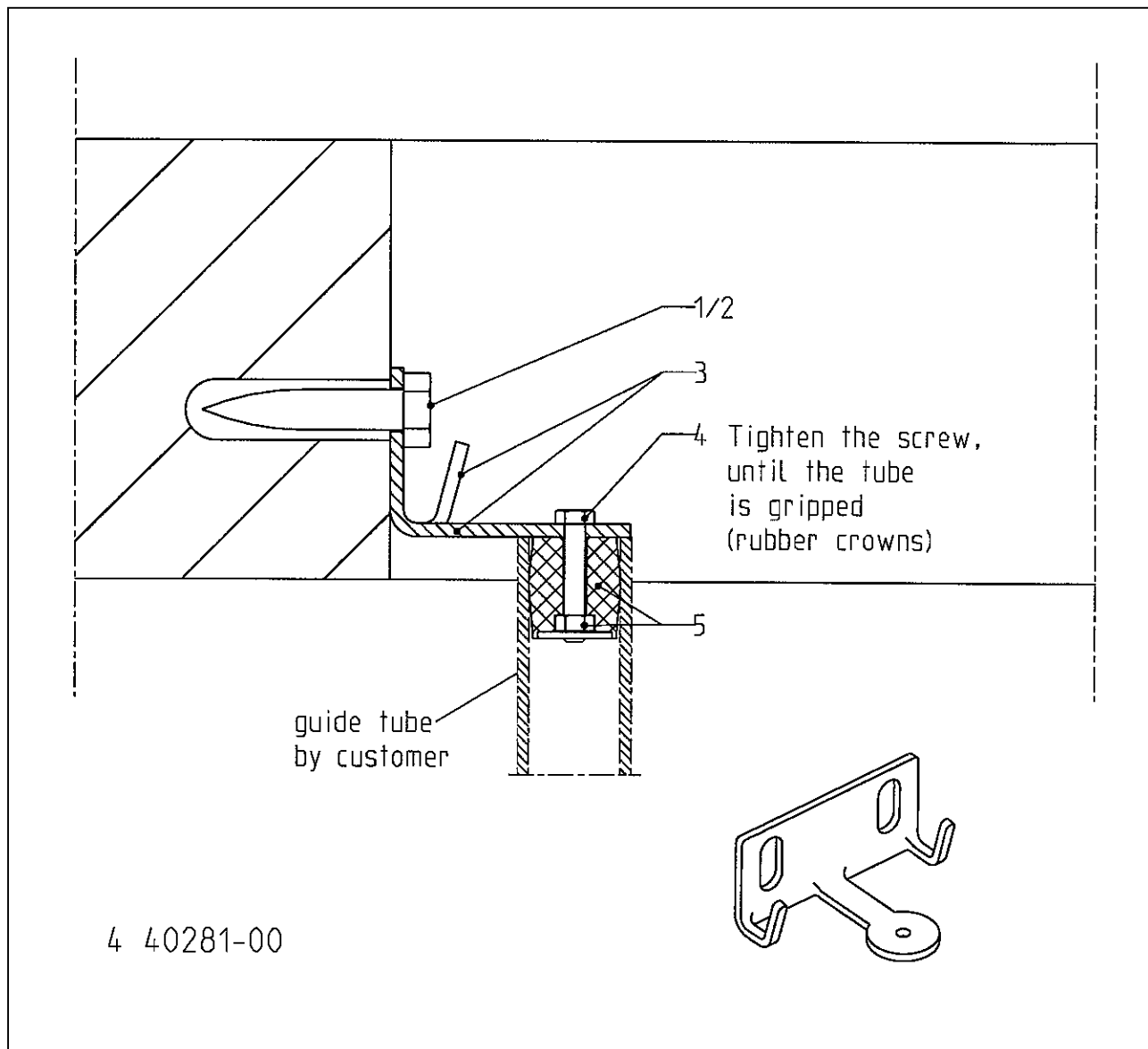
GR 35 for MultiCut UAK 08/2



Spare parts

Pos.	Code-No.	Description	Qty
1	25414	duckfoot bend	1
2	29951	guiderail claw incl. No. 3	1
3	14118	gasket Storz 45	1
4	14075	gasket DN 32 PN 6	1
5	19745	hexagon head screw M12 x 40	4
6	05511	split washer B 12	4
7	28522	dowel HST-R, M 12 x 115	3
8	05291	hex. nut M 12	3
9	21411	square nut M8	1
10	03155	hexagon head screw M8 x 20	1
11	14055	plug S 14	2
12	25581	webbing for shackle	1
13	13402	shackle	1

Tube bracket

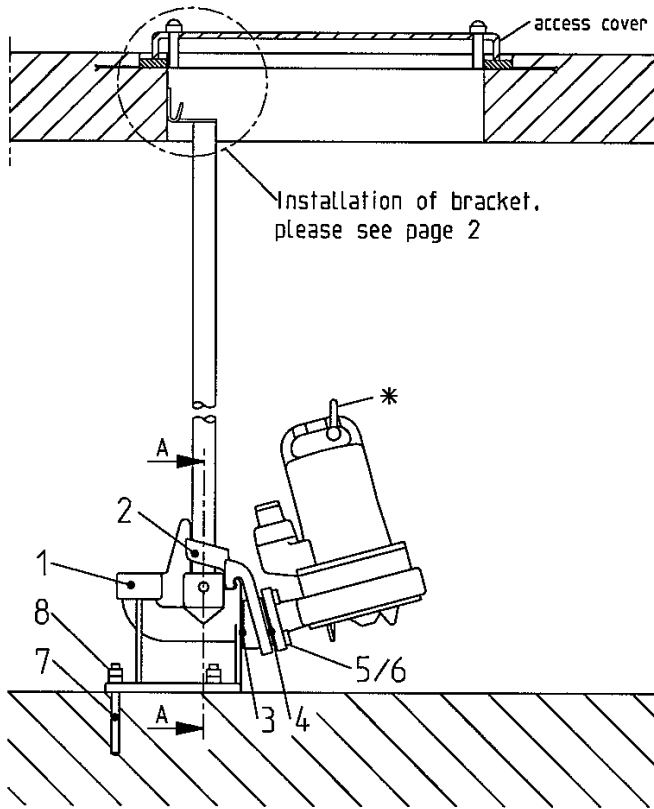


Spare parts

Pos.	Code-No.	Description	Qty
1	14055	plug S 14	2
2	17921	wood screw 12 x 60	2
3	401058	bracket 1"	1
4	40124	hex. head screw M6 x 35	1
5	40106	rubber clamping sleeve 1"	1

GR 35 for MultiCut UFK 08/2

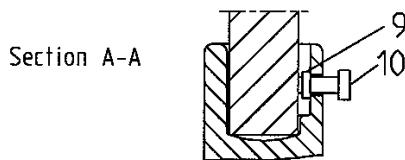
COMMENT! The installation of UAK-pumps is only possible with the guide rail system GR35 - UAK 08 code-no. 29953/00



To secure the regular pump connection after lowering the pump, pull the chain 1x into the direction of the guide tube.

In case of installing the pump in collecting sumps, that can dry in, the pressure pipe must be provided with a hole (up to 6mm minimum) above the pressure joint to insure the ventilation of the pump casing.

* For a regular fixing of the chain the following accessory is necessary: shackle code-no. 13402



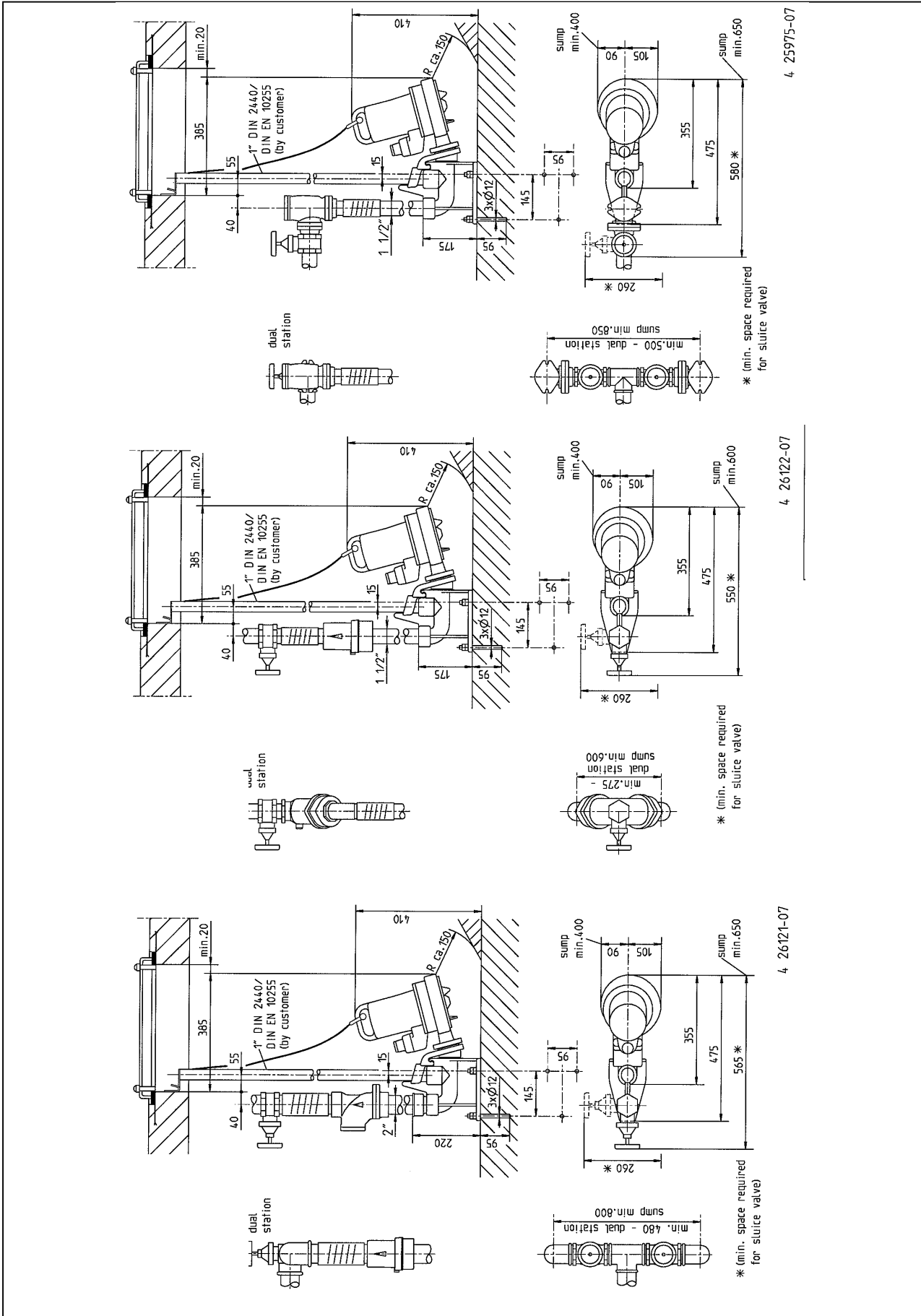
1. Insert nut no.9 in the space available and hold.
2. Insert screw no.10 from outside onto the nut.
3. Insert guide tube, adjust and tighten the screw until guide tube is secure.

Warning! At using a pipe clip nut and screw cannot be used.

4 28536-02

Spare parts

Pos.	Code-No.	Description	Qty
1	25414	duckfoot bend	1
2	25443	guiderail claw incl. No. 3	1
3	14118	gasket Storz 45	1
4	14075	gasket DN 32 PN 6	1
5	19745	hexagon head screw M12 x 40	4
6	05511	split washer B 12	4
7	28522	dowel HST-R, M 12 x 115	3
8	05291	hex. nut M 12	3
9	21411	square nut M8	1
10	03155	hexagon head screw M8 x 20	1



GR 35 for MultiCut UAK/UFK 25 ... 76/2

access cover

Installation of bracket, please see page 2

To secure the regular pump connection after lowering the pump, pull the chain 1x into the direction of the guide tube.

In case of installing the pump in collecting sumps, that can dry in, the pressure pipe must be provided with a hole (up to 6mm minimum) above the pressure joint to insure the ventilation of the pump casing.

Ground surface to be flat according to DIN 1045 and DIN18202 T5. Tolerances for surface evenness as specified table line 4.

1. Insert nut no.9 in the space available and hold.
2. Insert screw no.10 from outside onto the nut.
3. Insert guide tube, adjust and tighten the screw until guide tube is secure.

Warning! At using a pipe clip nut and screw cannot be used.

Cut A-A

4 28537-01

Spare parts

Pos.	Code-No.	Description	Qty
1	25414	duckfoot bend	1
2	25443	guiderail claw incl. No. 3	1
3	14118	gasket Storz 45	1
4	14075	gasket DN 32 PN 6	1
5	19745	hexagon head screw M12 x 40	4
6	05511	split washer B 12	4
7	28522	plug M 12	3
8	05291	hexagon nut M12	3
9	21411	square nut M8	1
10	03155	hexagon head screw M8 x 20	3

