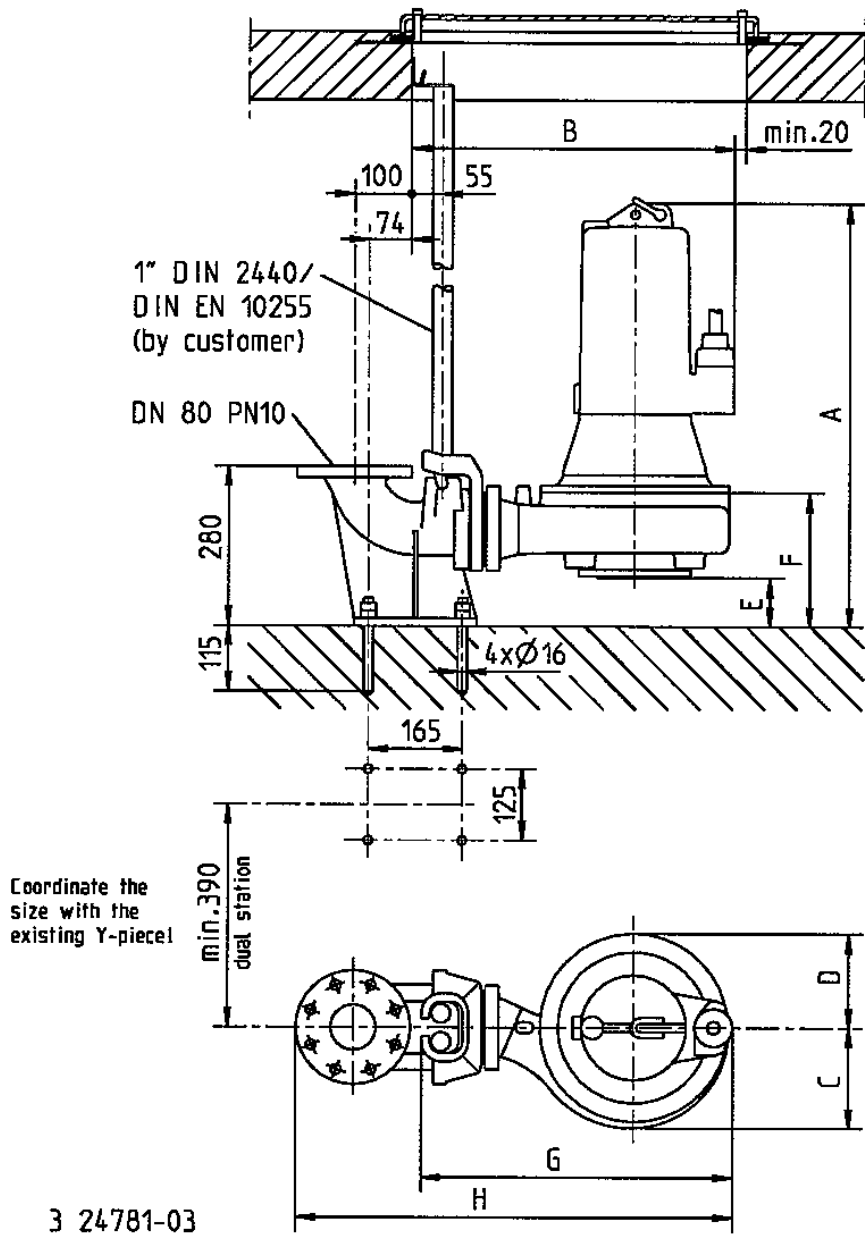


Spare parts

Pos.	Code-No.	Description	Qty
1.	22584	duckfoot bend	1
2.	28028	guide rail claw incl. No. 3 + 4	1
3.	27957	profiled seal DN 80	1
4.	19746	hexagon head screw M 16 x 50 A2	4
5.	11583	washer A17	4
6.	17766	hexagon nut M16	4
7.	14055	plug S14	1
8.	17921	wood screw 12 x 60	2
9.	40104	bracket 1"	1
10.	40124	hex. head screw M6 x 35	2
11.	40106	rubber clamping sleeve 1"	2

Replacement kits

28515 guide rail claw complete, consisting of Pos. 2, 3, 4,5



pumpe type	A	B	C	D	E	F	G	H
25/2 B1	520	475	130	110	95	225	455	675
35/2 B2	555	495	145	125	92	225	475	695
55/2 B2	680	530	145	125	92	225	510	725
75/2 B5	685	570	180	165	85	235	550	765
100/2 B5	745	570	180	165	85	235	550	765
10/4 B1	520	475	130	110	95	225	455	675
15/4 B3	520	490	145	125	95	225	470	690
25/4 B4	520	565	190	160	85	225	545	770
35/4 B4	555	565	190	160	85	225	545	770
55/26B2	680	530	145	125	92	225	510	725
10/46B1	520	475	130	110	95	225	455	675
15/46B3	520	490	145	125	95	225	470	690
25/46B4	555	565	190	160	85	225	545	770