



Beco Works, Cricket Lane, Off Kent House Lane,
Tel: 020 8778 4271
E-mail sales@pts-jung.co.uk

Beckenham, Kent, BR3 1LA
Fax: 020 8659 3576
WWW: www.pts-jung.co.uk

PTS Microvent System (Part No MV5001)

WHAT IS ACTIVATED CARBON?

ACTIVATED CARBON is a processed carbon with highly developed absorptive powers, ideal for removing a wide range of unpleasant odours and gaseous contaminants from air streams e.g. holding tanks.

ACTIVATED CARBON filters consist of carbon granules, which are obtained from coconut shells, wood and coal. These different sources result in a wide variety of grades, covering specific applications. For gas or air treatment, for example, the most effective carbon is produced from coconut shells or anthracite, both of which have exceedingly fine pore structures that can be greatly developed during the activation process.

The specifically developed filter has hose connections for 1½" (38mm) ID Breather required by British Standard MA 101. Access is required for changing the carbon element, although this is an easy and infrequent job.

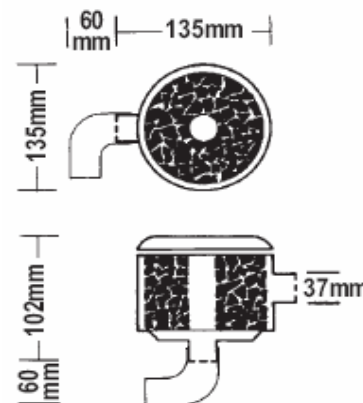
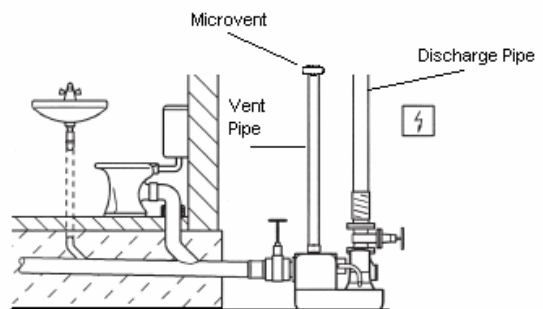
The MICROVENT filter can be installed almost anywhere and is designed to connect with the breather plumbing from any angle. Airflow through the filter can be from either inlet/outlet.

It is only marginally preferable to have the air flow from the holding tank to the outside atmosphere, passing 'IN' through the central hose connection situated on the underside of the filter and 'OUT' through the side hose connection. However, where it is essential, or more convenient, then the foul air can be routed in the opposite direction.

Access must be available for the removing and replacing of the MICROVENT filter element. A minimum of 32mm. (1¼") clearance from any obstruction is required for the removal of the filter cover. The filter element itself is 82mm. (3¼") long and

76mm. (3") in diameter. Space must be provided to effect its removal from the MICROVENT body after the cover has been removed.

The hose connection elbow can be used on either connection to suit the installation as and when required. This should be clamped with the hose clamp provided.



IF YOU WISH TO PLACE AN ORDER, REQUIRE REPLACEMENT FILTERS OR HAVE ANY ADDITIONAL QUESTIONS, PLEASE CONTACT OUR SALES DEPARTMENT