



Beco Works, Cricket Lane, Off Kent House Lane, Beckenham, Kent, BR3 1LA
 Tel: 020 8778 4271 Fax: 020 8659 3576
 E-mail sales@pts-jung.co.uk WWW: www.pts-jung.co.uk

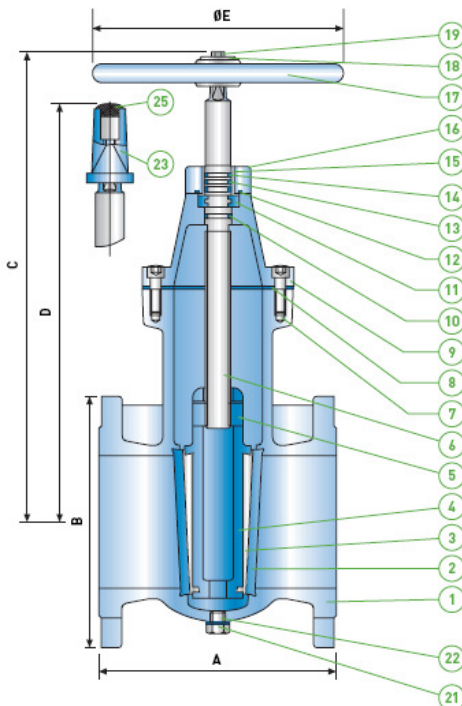
ACCESSORIES

Stem Cap / Handwheel	Extension Spindle / T Key
Position Indicator	Gearbox
Locking Device	By-pass
ISO Mounting Flange	Chainwheel

DIMENSIONS

DN	A	B	C	D	E	Approximate Weight (Kg)	
						Handwheel	Stem Cap
50	178	165	282	312	180	23	21
65	190	185	313	343	180	24	22
80	203	200	398	428	205	26	24
100	229	220	424	454	205	31	29
150	267	285	525	556	280	58	55
200	292	340	638	668	320	87	82
250	330	405	740	770	360	131	125
300	356	460	840	870	450	186	177

Larger sizes available upon request. Dimensions in mm.



TECHNICAL SPECIFICATION

Standard:	BS 5163 1986 Type 'B'
Range:	DN50 - DN300
Flanges & Drillings: Alternatives:	BS EN 1092-2 1987 Table 9 (PN16) BS EN 1092-2 1987 Table 8 (PN10) BS 10 Table D or E
Maximum Working Pressure:	16 Bar
Hydrostatic Pressure Tests:	Seat: 1.1 x PN (17.6 Bar) Body: 1.5 x PN (24.0 Bar)
Temperature Range:	-10°C to 70°C Insulate at 0°C and below
Coating:	Blue fusion bonded epoxy (WRAS listed)

MATERIAL SPECIFICATION

Item	Item Name	Material	Specification
1	Body	Ductile Iron	BS EN 1563 Gr 500/7
2	Body Seat Ring	Copper Alloy	BS EN 1982
3	Wedge Seat Ring	Copper Alloy	BS EN 1982
4	Wedge	Ductile Iron	BS EN 1563 Gr 500/7
5	Stem Nut	Copper Alloy	BS EN 1982
6	Stem	Stainless Steel	BS EN 10088
7	Bolt	BZP Steel	BS 3692 Gr 8.8
8	Body Gasket	EPDM	-
9	Bonnet	Ductile Iron	BS EN 1563 Gr 500/7
10	'O' Ring	EPDM	BS 4518
11	Thrust Collar	Copper Alloy	BS EN 1982
12	'O' Ring	EPDM	BS 4518
13	'O' Ring	EPDM	BS 4518
14	Dust Seat	EPDM	-
15	Bush	Copper Alloy	BS EN 1982
16	Seal Housing	Ductile Iron	BS EN 1563 Gr 500/7
17	Handwheel	Ductile Iron	BS EN 1563 Gr 500/7
18	Washer	Stainless Steel	BS EN 10088
19	Bolt	Stainless Steel	BS EN 10088
20*	Sealing Housing Bolt	BZP Steel	BS 3692 Gr 8.8
21	Drain Plug	Stainless Steel	BS EN 10088
22	Gasket	PTFE	-
23	Stem Cap	Ductile Iron	BS EN 1563 Gr 500/7
24*	Stem Cap Bolt	Stainless Steel	BS EN 10088
25	Grommet	EPDM	-

*Seal Housing Bolts and Stem Cap Bolt not shown.

**IF YOU WISH TO PLACE AN ORDER, OR HAVE ANY ADDITIONAL QUESTIONS,
PLEASE CONTACT OUR SALES DEPARTMENT**