



Beco Works, Cricket Lane, Off Kent House Lane, Beckenham, Kent, BR3 1LA  
 Tel: 020 8778 4271 Fax: 020 8659 3576  
 E-mail sales@pts-jung.co.uk WWW: www.pts-jung.co.uk

### ACCESSORIES

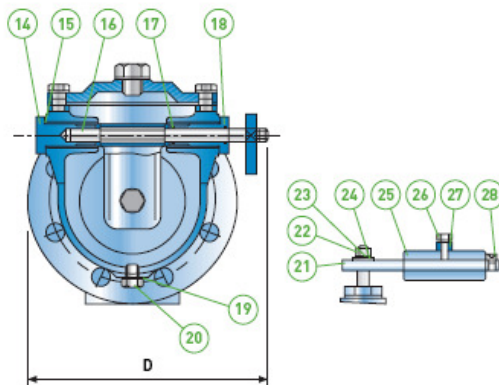
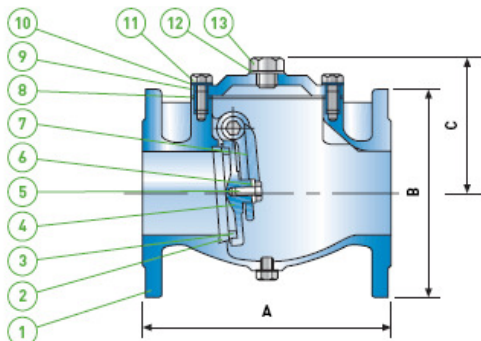
- Lever and Weight Kit
- Galvanised Steel Guard\*
- Limit Switch

\*Recommended for external lever arm and weight version.

### DIMENSIONS

DN	A	B	C	D	Weight (Kg)	
					Standard	+ Lever/Weight
50	203	165	135	230	14	15
80	241	200	132	235	20	22
100	292	220	140	268	26	28
150	356	285	186	313	50	52
200	495	340	218	378	96	98
250	622	405	272	493	155	163
300	698	460	311	535	215	223
350	787	520	675	635	330	380
400	914	580	745	690	435	485

Larger sizes available upon request. Dimensions in millimetres.



### TECHNICAL SPECIFICATION

Standard:	BS 5153 1974
Range:	DN50 - DN400
Flanges & Drillings:	BS EN 1092-2 1987 Table 9 (PN16)
Alternatives:	BS EN 1092-2 1987 Table 8 (PN10) BS10 Table D or E
Maximum Working Pressure:	16 Bar
Hydrostatic Pressure Tests:	Seat: 1.1 x PN (17.6 Bar) Body: 1.5 x PN (24.0 Bar)
Temperature Range:	-10°C to 70°C Insulate at 0°C and below
Coating:	Blue fusion bonded epoxy (WRAS listed)

### MATERIAL SPECIFICATION

Item	Item Name	Material	Specification
1	Body	Ductile Iron	BS EN 1563 Gr 500/7
2	Body Seat Ring	Copper Alloy	BS EN 1982
3	Door Seat Ring	Copper Alloy	BS EN 1982
4	Door	Ductile Iron	BS EN 1563 Gr 500/7
5	Bolt	Stainless Steel	BS EN 10088
6	Washer	Stainless Steel	BS EN 10088
7	Hanger	Ductile Iron	BS EN 1563 Gr 500/7
8	Gasket	EPDM	-
9	Inspection Cover	Ductile Iron	BS EN 1563 Gr 500/7
10	Washer	Stainless Steel	BS EN 10088
11	Bolt	Stainless Steel	BS EN 10088
12	Gasket	PTFE	-
13	Air Release Plug	Stainless Steel	BS EN 10088
14	Std. Bush Nut	Copper Alloy*	BS EN 1982
15	Bush Seal	EPDM	BS 4518
16	Spindle	Stainless Steel	BS EN 10088
17	'O' Ring	EPDM	BS 4518
18	L/W Bush Nut	Copper Alloy*	BS EN 1982
19	Gasket	PTFE	-
20	Drain Plug	Stainless Steel	BS EN 10088
21	Lever Arm	Mild Steel	BS EN 10025
22	Nut	Stainless Steel	BS EN 10088
23	Spring Washer	Stainless Steel	BS EN 10088
24	Washer	Stainless Steel	BS EN 10088
25	Counter Weight	Ductile Iron	BS EN 1563 Gr 500/7
26	Bolt	Stainless Steel	BS EN 10088
27	Nut	Stainless Steel	BS EN 10088
28	Bolt	Stainless Steel	BS EN 10088

DN50, DN350 & DN400 in BS 1452 Gr 220.

\*DN350 and above Cast Iron with Copper Alloy insert.

**IF YOU WISH TO PLACE AN ORDER, OR HAVE ANY ADDITIONAL QUESTIONS,  
PLEASE CONTACT OUR SALES DEPARTMENT**