

Application

The U 6 K is suitable for stationary and portable use.

It can be used as a drainage pump for mildly contaminated waste and ground water, in drains with rain water, drainage or seepage water, silage liquor and also liquid manure. The mechanical seal also makes the pump suitable for extracting abrasive media. In stationary use the U 6 K ES/DS removes the waste water from domestic appliances such as dishwashers and washing machines (also high temperature), but not from urinals and lavatories. The guide rail system GR 32 offers all the advantages of fast and easy maintenance. Our ready-to-install collecting tanks extend the options for installation and use.

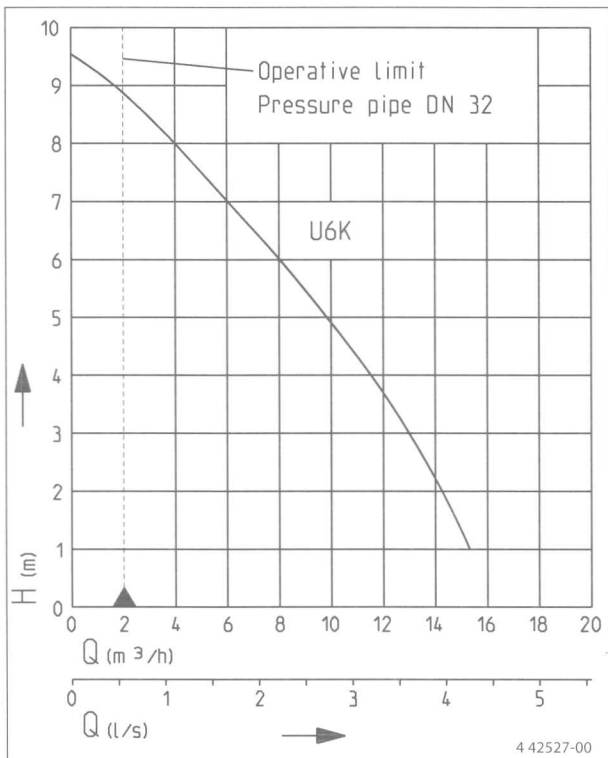
For supporting sewage water with heavy pollution we recommend our US series.

Especially for the transportable use, in building site areas for example, our building pumps UB should be used. If submersible pumps are used outdoors, only a pump with 10 m cable without extension cable may be used in accordance with VDE Regulation 0100.



U 6 K with built-in level control

Performance



The minimum flow velocity in the pressure piping must be 0,7 m/s according to EN 12056. This data is represented in the performance curve as a limit of application.

- Continuous operation
- Flushing device
- Replaceable moisture sealed cable inlet
- Low level pumping by removing the strainer base
- SiC mechanical seal independent of rotation direction
- Safe to run dry
- 10/20 mm free passage with EIP-technique



We reserve the right to change specifications without notice. Pump performance is subject to ISO 9906 tolerances.

Submersible drainage pumps

Type	Height x Width (max.)	Discharge branch	Free passage	Cable quality H07RN-F-	Cable length	Weight approx.	Code No.
Pumps without level control							
U 6 K E	335 x 175 mm	1¼"	20 mm	3G1,0	10 m	6,0 kg	00226
U 6 K D	335 x 175 mm	1¼"	20 mm	4G1,0	10 m	6,5 kg	00228
Pumps with built-in level control (acc. to VDE, to be used outdoors only with 10 m cable)							
U 6 K ES	335 x 210 mm	1¼"	20 mm	3G1,0	3 m	5,5 kg	00227
U 6 K DS	335 x 210 mm	1¼"	20 mm	4G1,0	3 m	6,0 kg	00229
U 6 K ES	335 x 210 mm	1¼"	20 mm	3G1,0	10 m	6,0 kg	09260
U 6 K DS	335 x 210 mm	1¼"	20 mm	4G1,0	10 m	7,0 kg	09261

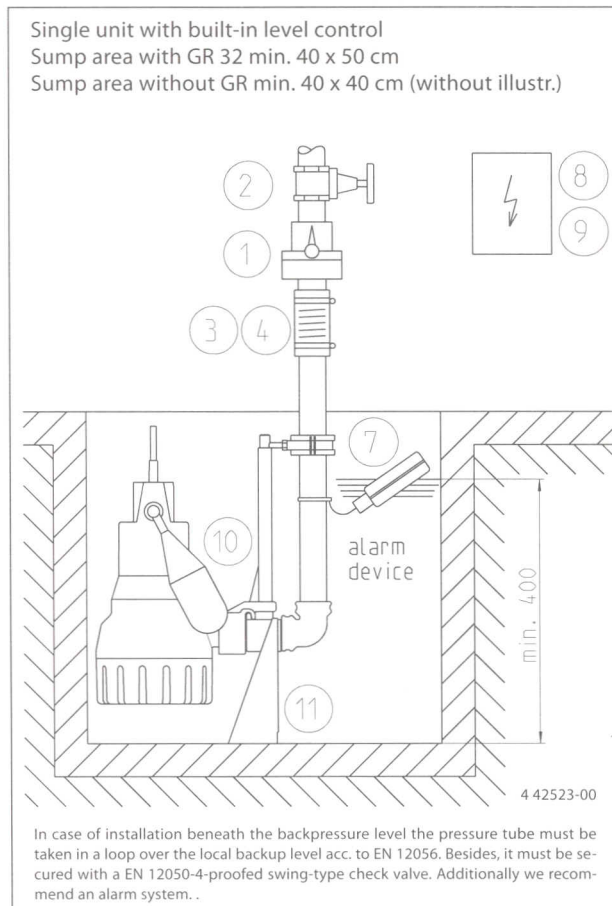
Performance

Type	Delivery head H [m]	1	2	3	4	5	6	7	8	9
U 6 K E/ES/D/DS	Flow rate Q [m³/h]	15,5	14,0	12,5	11,0	9,0	7,5	5,5	3,5	1,5

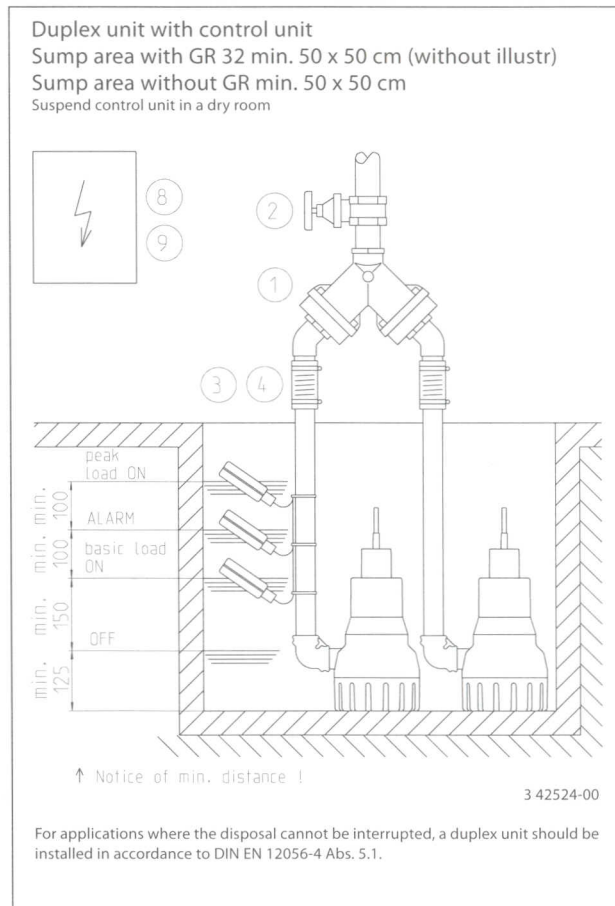
Electrical data

Type	Type of current	Voltage Volt	Motor rating kW		RPM min ⁻¹	F.L.C. Amp-	Motorprotection	Plug
			P ₁	P ₂				
U 6 K E/ES	1-phase	1/N/PE~230	0,75	0,49	2645	3,3	integrated	safety-
U 6 K D/DS	3-phase	3/PE~400	0,75	0,55	2678	1,3		CEE-

Single pump installation with GR



Duplex pump installation



Accessories

		Art.-Nr.	U 6 KE	U 6 KD	U 6 KES	U 6 KDS
	1 Swing-type check valve 1¼" (DN 32), PN 4 DIN EN 12050-4 H B D 90 90 1¼"	09739	•	•	•	•
	Duplex swing-type check valve 1½" (DN 40), PN 4 for double pump stations, DIN EN 12050-4 H B D 200 280 1½"	09155	•	•		
	2 Stop valve 1¼" (DN 32), PN 16 H B D 110 max. 60 1¼"	11836	•	•	•	•
	1½" (DN 40), PN 16 125 max. 60 1½"	11837	•	•		
	3 Elastic connection 1¼" (DN 32), PN 3 H D 100 42	14329	•	•	•	•
	4 Hose band clamp 1¼"	03573	•	•	•	•
	5 Hose coupling 1¼" (DN 32), brass, for portable use	00327	•	•	•	•
	Solid fire hose coupling size C, 1 ¼", male thread Coupling wrench	41559 25708				
	6 Flexible hose 1¼" (DN 32), PVC, red, per m, for portable use	00334	•	•	•	•
	7 Alarm system with submersible ball contact switch 3 m cable, separate, mainsdependent, with potential free contact	16723			•	•
	Alarm system ditto. with 9,5 m cable	24434			•	•
	Alarm system AW 3 for washing-machines with sub. ball contact switch with 3 m cable, separate, mainsdependent	25090	•	•	•	•
	Alarm system AW 10 ditto, with 9,5 m cable	25091	•	•	•	•
	8 Separate level controls for single unit					
	NE 1 (1-phase) with sub. ball contact switch 3,0 m	16710	•			
	NE 2 (1-phase) with sub. ball contact switch 9,5 m	16711	•			
	ND 1 (3-phase) with sub. ball contact switch 3,0 m	16712		•		
	ND 3 (3-phase) with sub. ball contact switch 9,5 m	16713		•		
	NE 1A (1-phase) with sub. ball contact 3,0 m and alarm	16714	•			
	NE 2A (1-phase) with sub. ball contact 9,5 m and alarm	16715	•			
	ND 1A (3-phase) with sub. ball contact 3,0 m and alarm	16716		•		
	ND 3A (3-phase) with sub. ball contact 9,5 m and alarm	16717		•		
	Counterweight (1 piece)	17541	•	•		
	Control units for duplex unit					
	BD 00E (1-phase)	00482	•			
	BD 00 (3-phase)	00299		•		
	Subm. switch pack B with 3 subm. ball contact switches with 9,5 m cable and fixing device	16725	•	•		
	Subm. switch pack BmG with 3 subm. ball contact switches with 9,5 m cable and counterweight	16726	•	•		
	9 Rechargeable battery for off the line operation of the alarm system	07562	•	•	•	•
	10 Special float assembly for narrow chambers (min. 30x30 cm)	40856			•	•
	Float fixation for continuous pump operation	42175			•	•
	11 Guide rail system GR 32	09277	•	•	•	•
	Support for guide rail extension ex 2 m sump depth, per 1 m piece	28314	•	•	•	•

Submersible drainage pumps U 6 K

Technical data

Pump

Vertical, single-stage, submersible, strainer base with 10 mm free passage, detachable for low level pumping, snapped on pedestals = 20 mm free passage, volute casing with radial discharge branch 1 1/4" (outside thread), open 6-blade impeller, EIP-technique

Bearings

Common shaft for pump and motor, mounted in ball bearings, permanently grease lubricated.

Seal

Silicon carbide mechanical seal, intermediary oil chamber, shaft seal ring towards the motor section, safe to run dry.

Motor

Submersible, type of enclosure IP 68, insulation class B, starting via plug or automatic circuit, moisture sealed cable inlet, motor thermostat for emergency switch-off on overheating with auto-

matic switch-on after sufficient cooling, continuous operation when not submerged on account of its motor jacket cooling.

Materials

Motor housing in stainless steel, volute casing, impeller and control head in plastic (GFK), shaft from C 45 encapsulated, rubber insulated flexible cable.

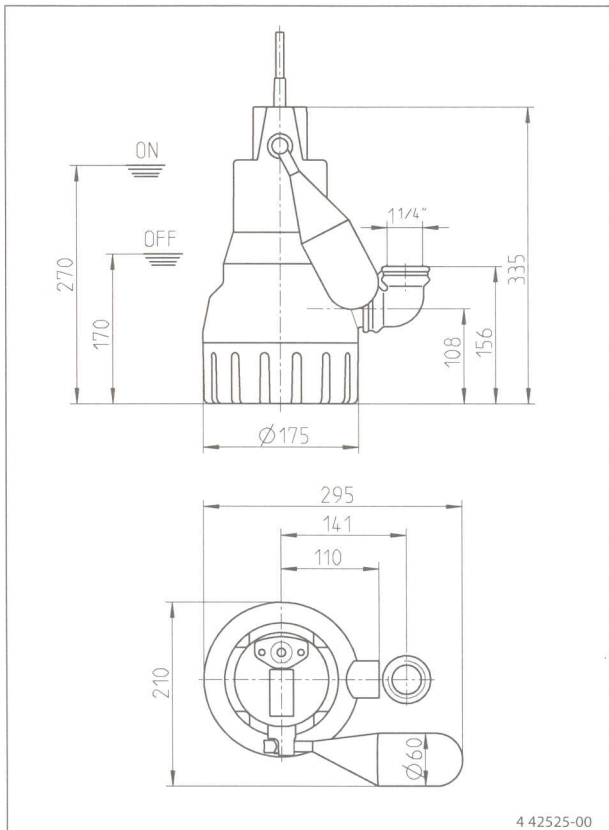
Installation

Install pump vertically (hose coupling possible), provide a detachable connection, for example guide rail system GR 32, for permanent installation.

Scope of supply

Pump ready for connection acc. to EN 12050 with 90° 1 1/4" female connection elbow, cable and safety plug, S model with built-in level control.

Dimensions U 6 K (mm)



Dimensions GR 32 (mm)

