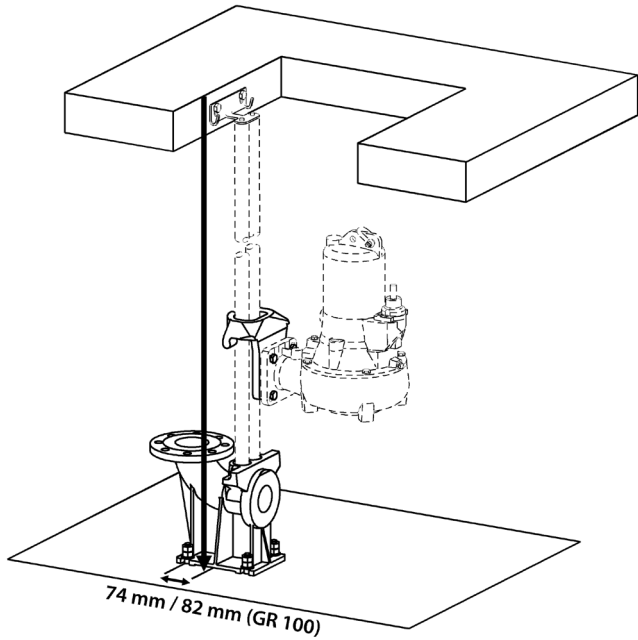
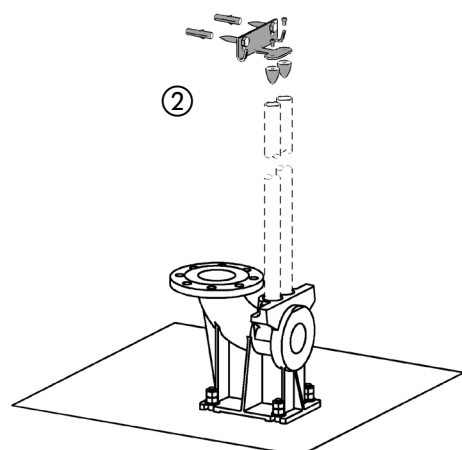




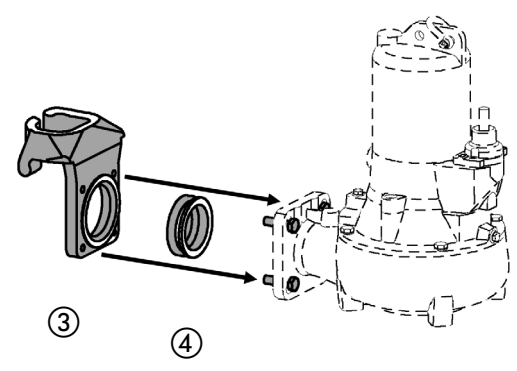
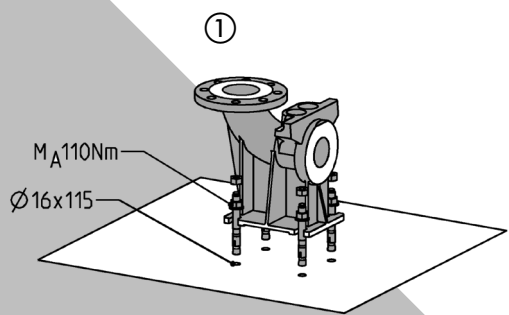
GR 65/4 (JP00494) . GR 80/4 (JP00495) . GR 100/4 (JP00496) Mounting



- **EN** - Standard concrete grade C 20/25 (EN 206-1), thickness > 160 mm, flatness tolerance max. 3 mm

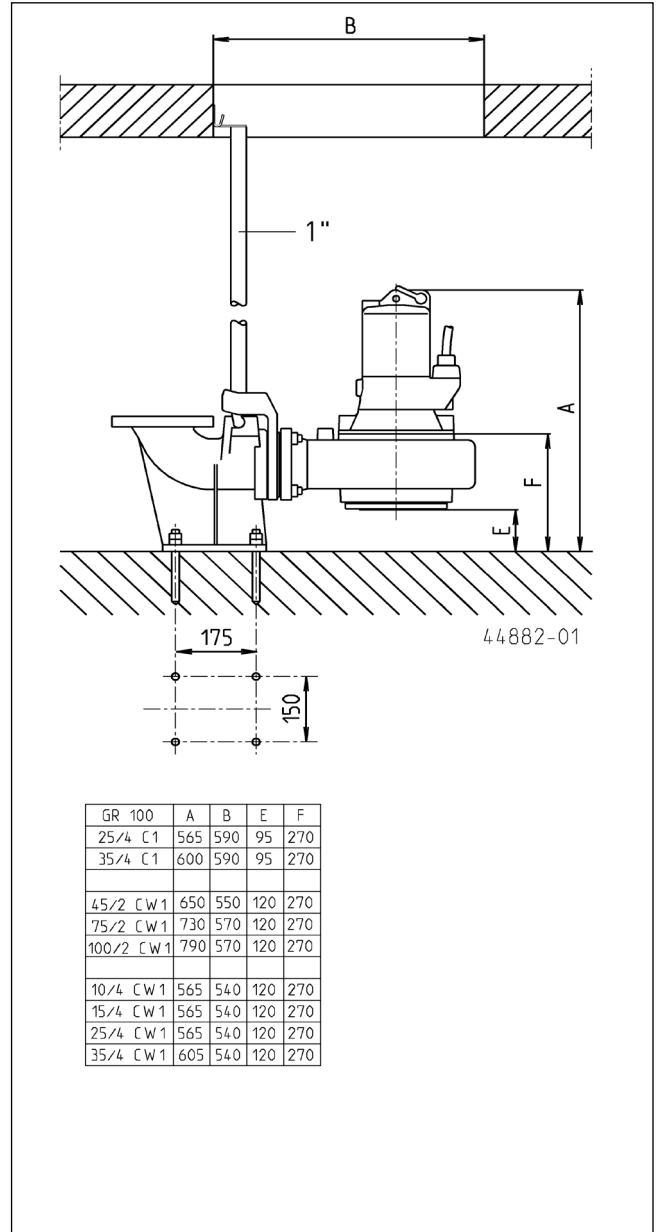
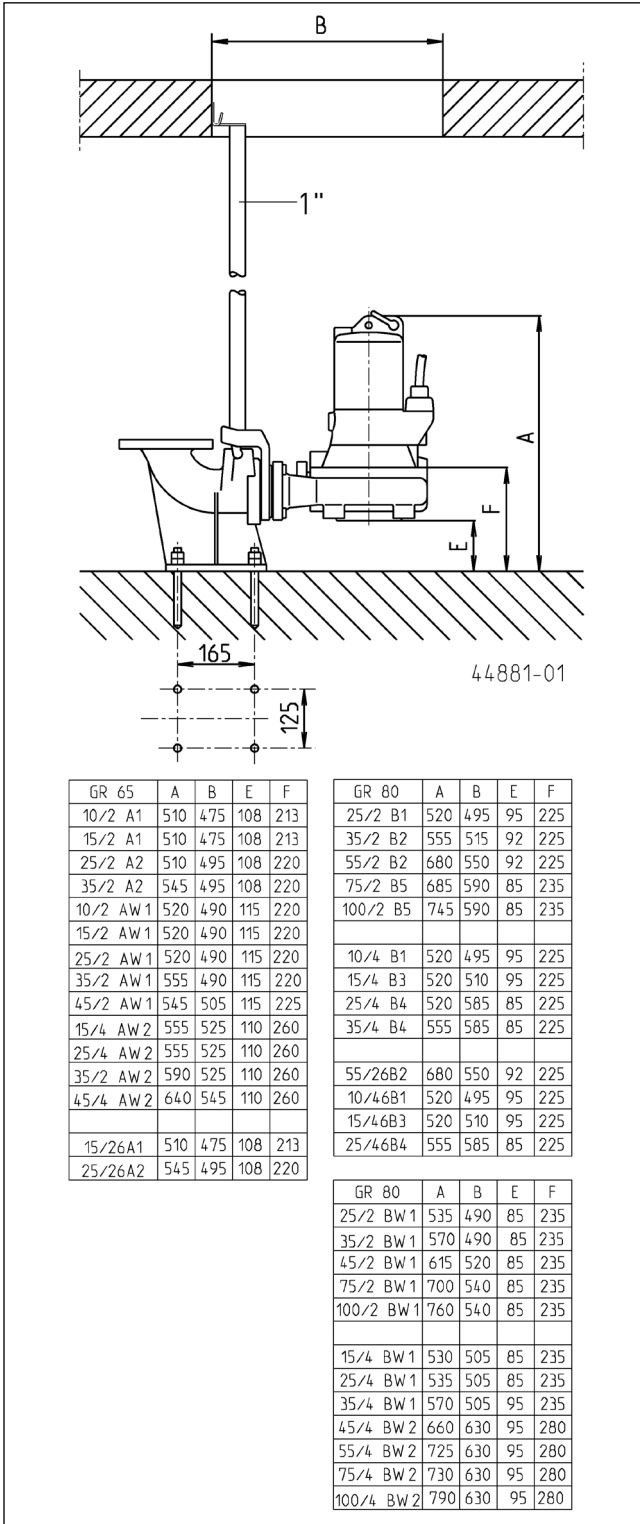


①	JP45636	GR 65
	JP45637	GR 80
	JP45638	GR 100
②	JP45119	
③	JP45129	GR 65
	JP45130	GR 80
	JP45131	GR 100
④	JP45136	GR 65
	JP45137	GR 80
	JP45138	GR 100



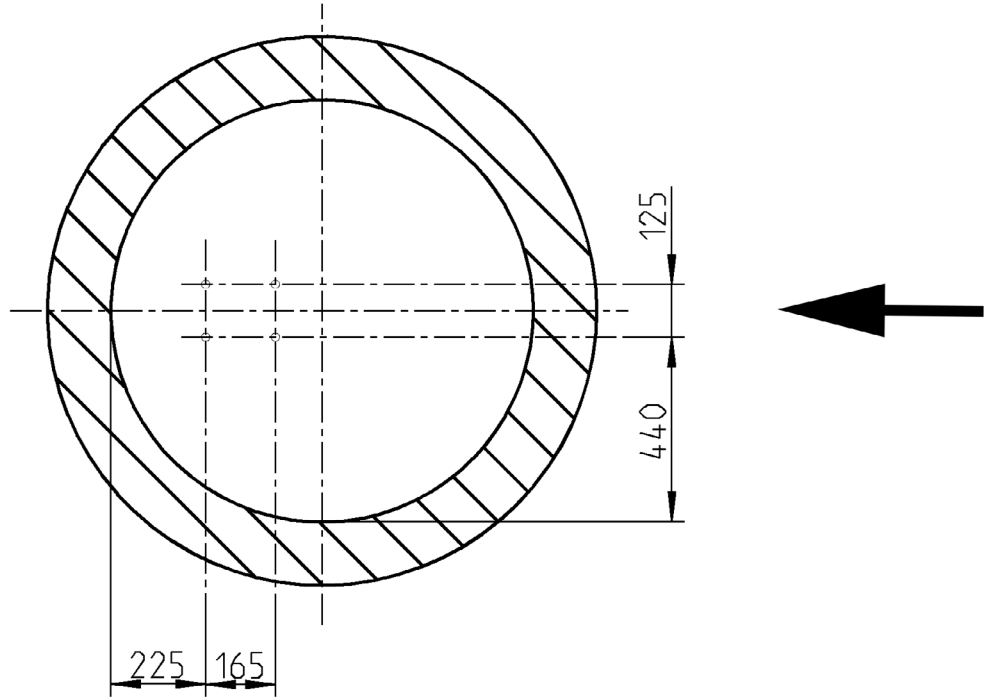
GR 65/4 (JP00494) . GR 80/4 (JP00495) . GR 100/4 (JP00496)

- **EN** - When lowered the pump, a tiny jerk on the chain towards the guide tube improves the correct coupling.

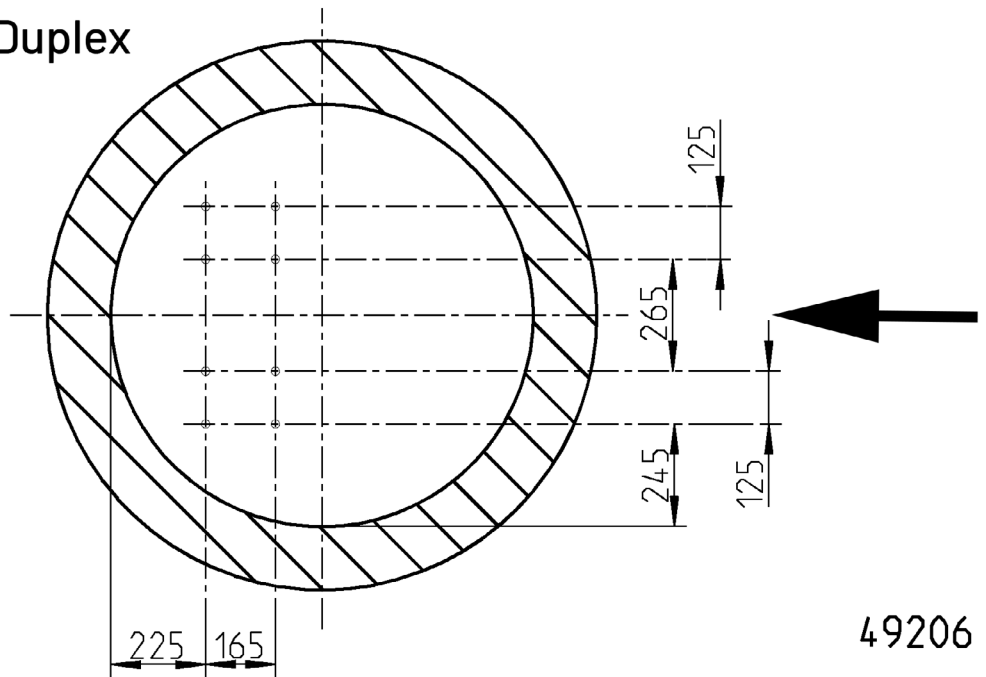


GR 65/4 (JP00494) . GR 80/4 (JP00495) . GR 100/4 (JP00496)

GR 65 / 80
Ø 1000



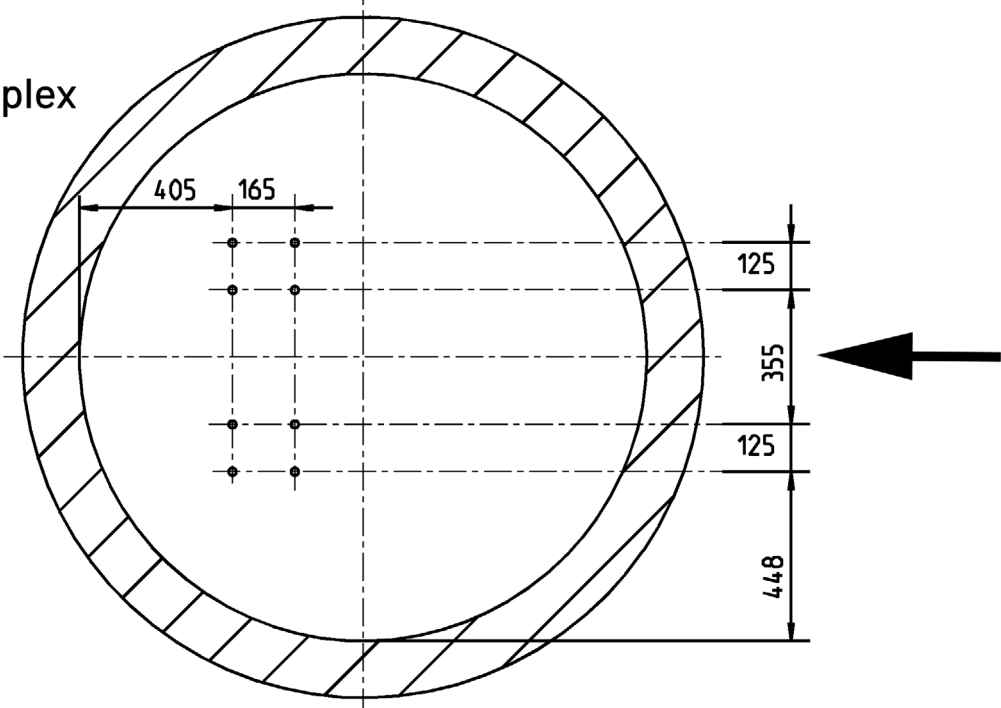
GR 65 / 80 Duplex
Ø 1000



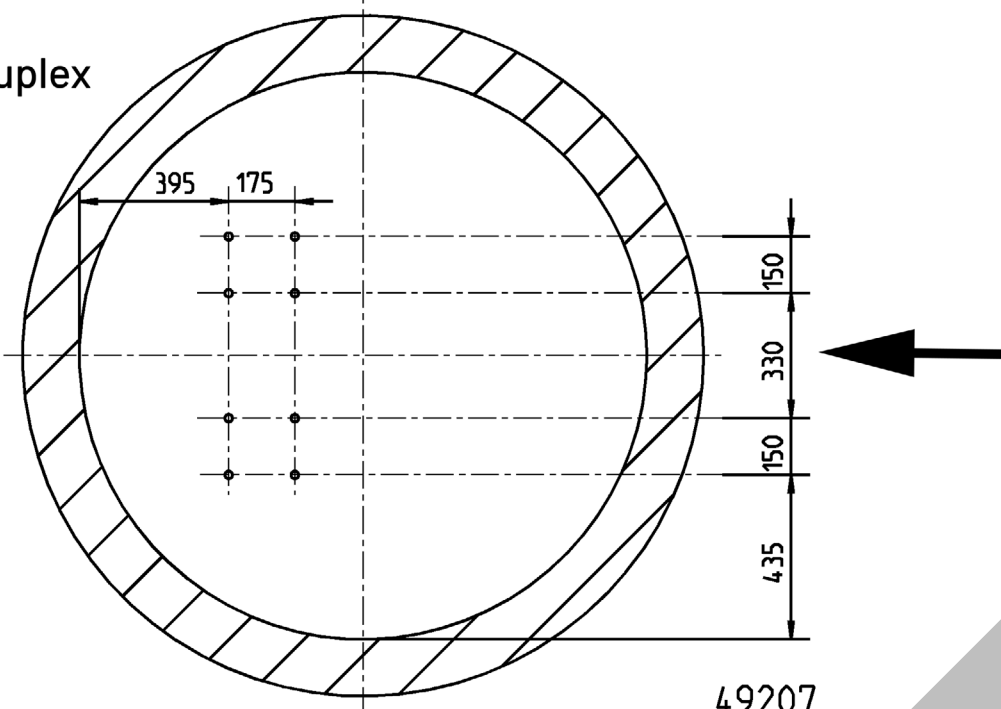
49206

GR 65/4 (JP00494) . GR 80/4 (JP00495) . GR 100/4 (JP00496)

GR 80 Duplex
Ø 1500



GR 100 Duplex
Ø 1500

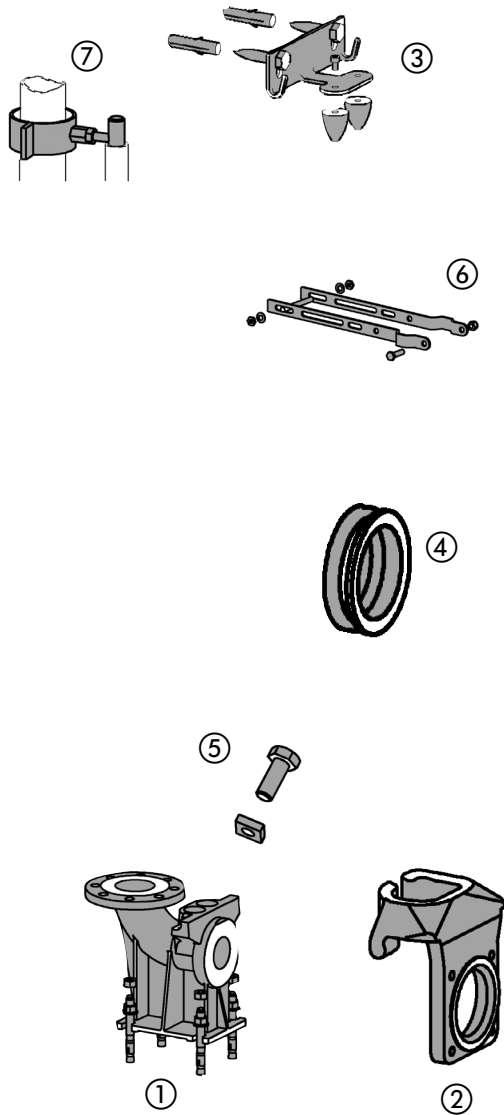


49207



GR 65/4 (JP00494) . GR 80/4 (JP00495) . GR 100/4 (JP00496)

Spare parts



65	①	Fuß	Duckfoot bend	JP45636
	②	Klaue	Coupling claw	JP45129
	③	Befestigung	Retrainer	JP45119
	④	Dichtung	Seal	JP45136
80	①	Fuß	Duckfoot bend	JP45637
	②	Klaue	Coupling claw	JP45130
	③	Befestigung	Retrainer	JP45119
	④	Dichtung	Seal	JP45137
100	①	Fuß	Duckfoot bend	JP45638
	②	Klaue	Coupling claw	JP45131
	③	Befestigung	Retrainer	JP45119
	④	Dichtung	Seal	JP45138