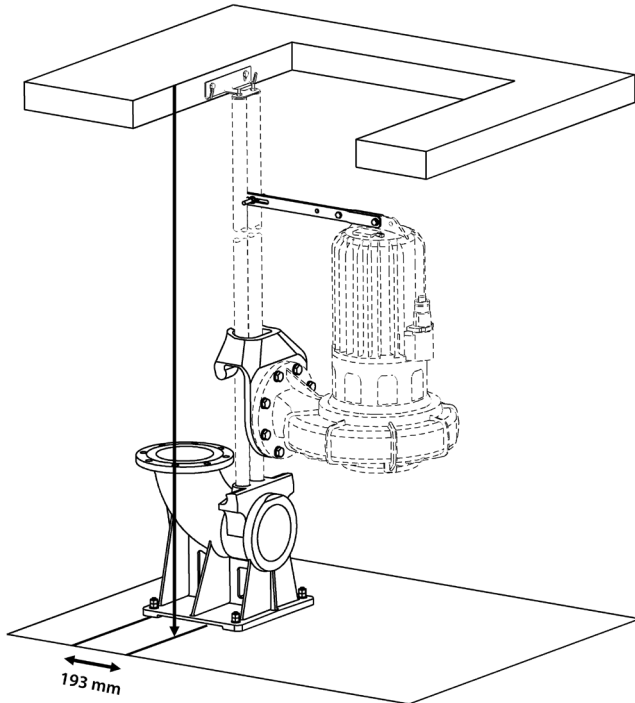
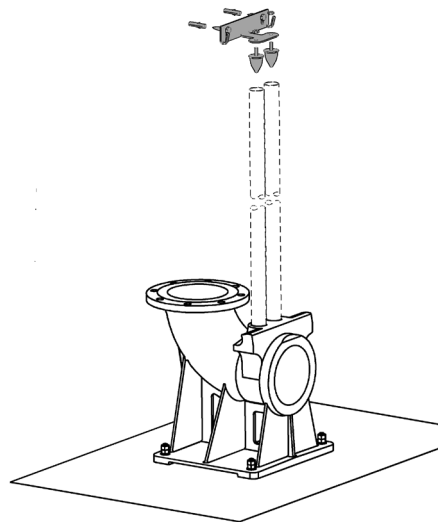


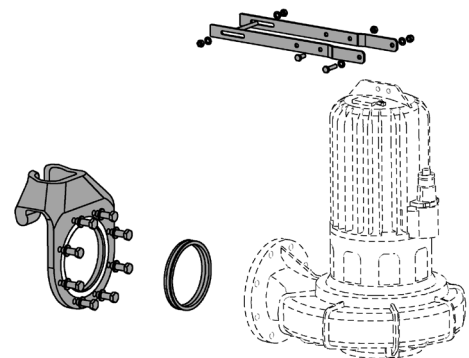
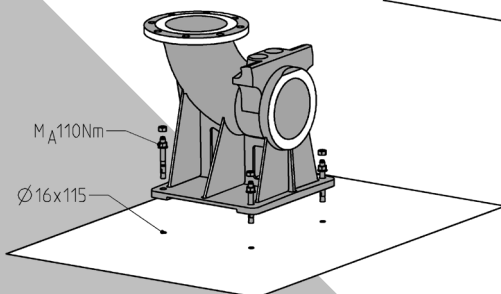
GR 200 S (JP42275) Mounting



- **EN** - Standard concrete grade C 20/25 (EN 206-1), thickness > 160 mm, flatness tolerance max. 3 mm

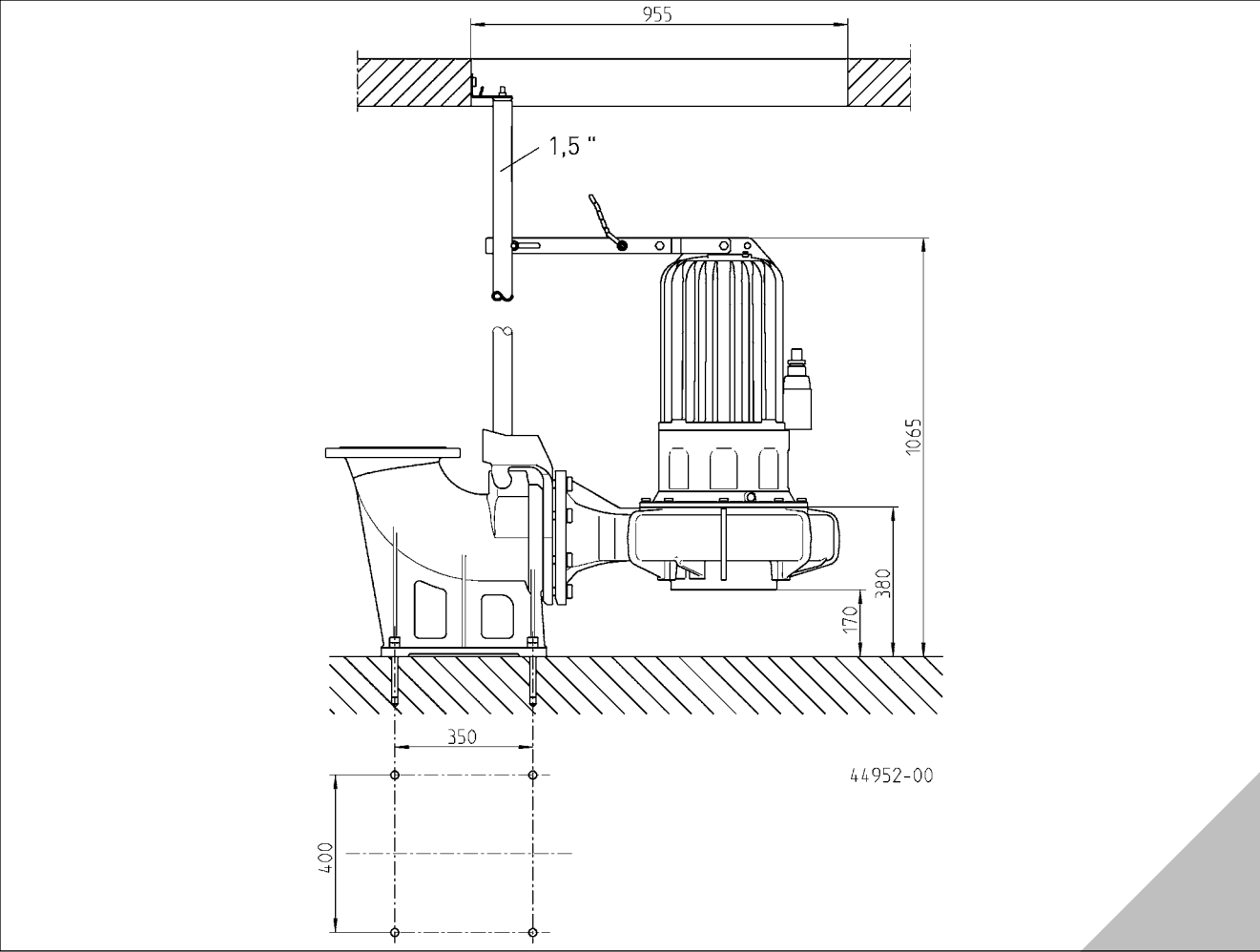


①	JP45641
②	JP45120
③	JP45133
④	JP45140
⑤	JP45123



GR 200 S(JP42275)

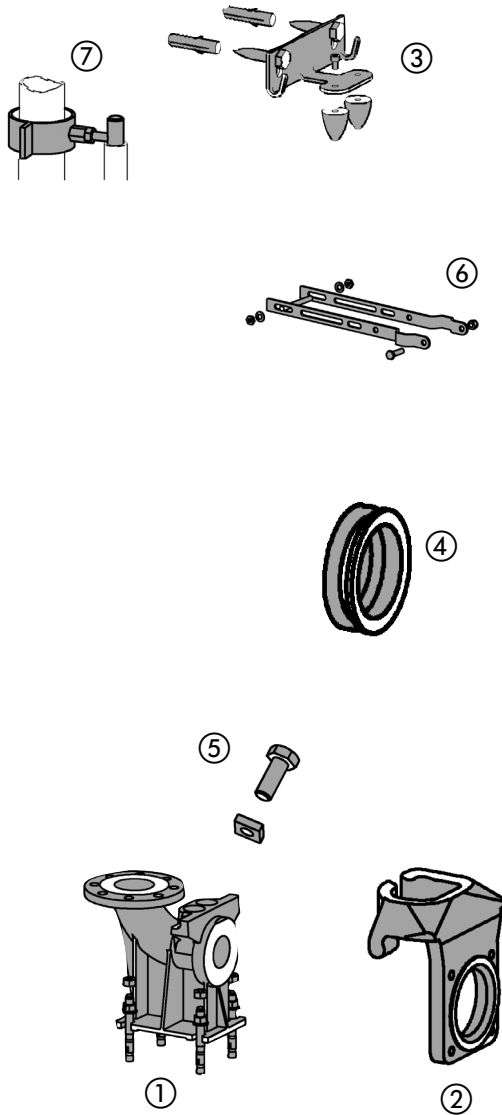
- **EN** - When lowered the pump, a tiny jerk on the chain towards the guide tube improves the correct coupling.





GR 200 S (JP42275)

Spare parts



200	①	FuB	Duckfoot bend	JP45641
	②	Klaue	Coupling claw	JP45133
	③	Befestigung	Retrainer	JP45120
	④	Dichtung	Seal	JP45140
	⑥	Sicherung	Lever	JP45123