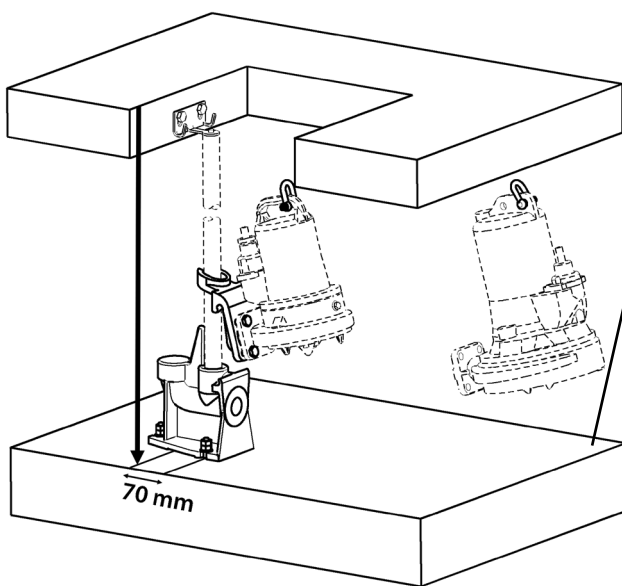




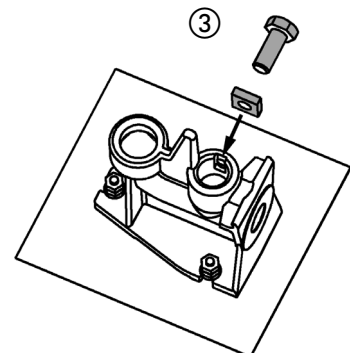
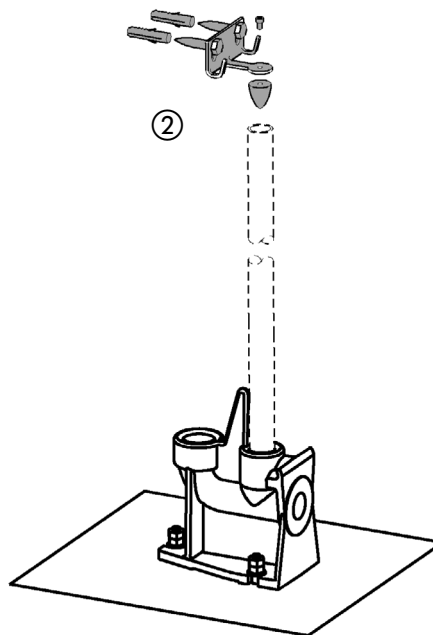
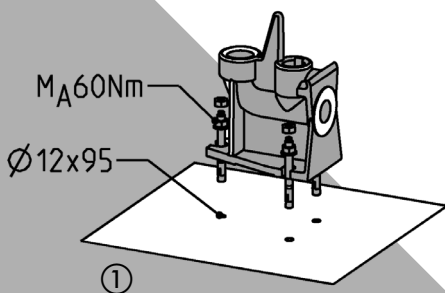
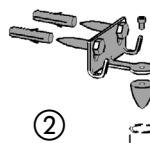
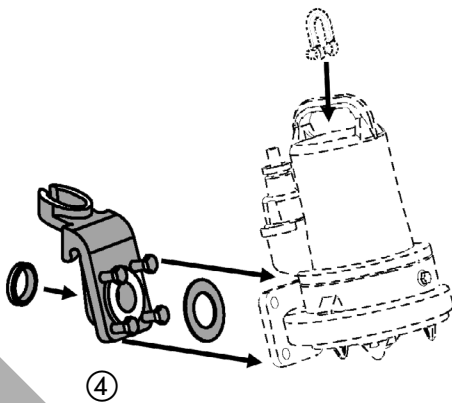
GR 35 (JP14094)

Mounting

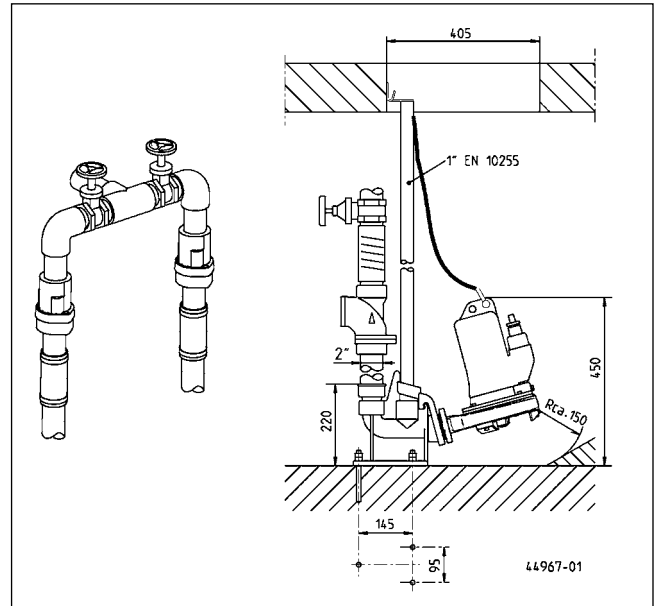
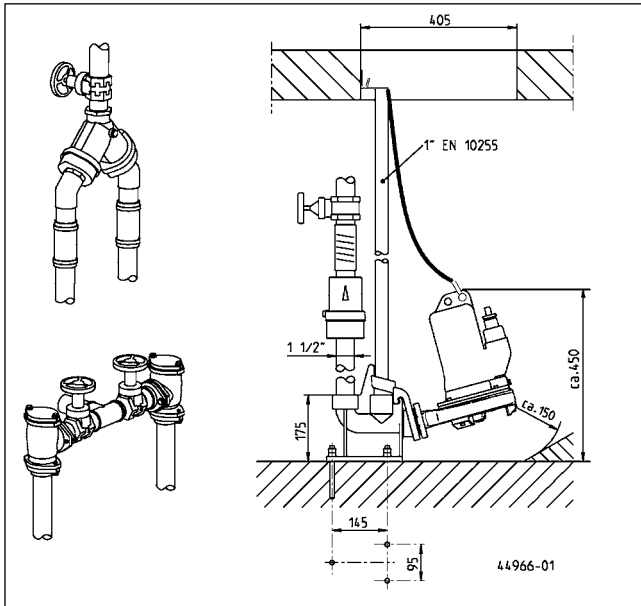
- **EN** - Standard concrete grade C 20/25 (EN 206-1), thickness > 140 mm, flatness tolerance max. 3 mm



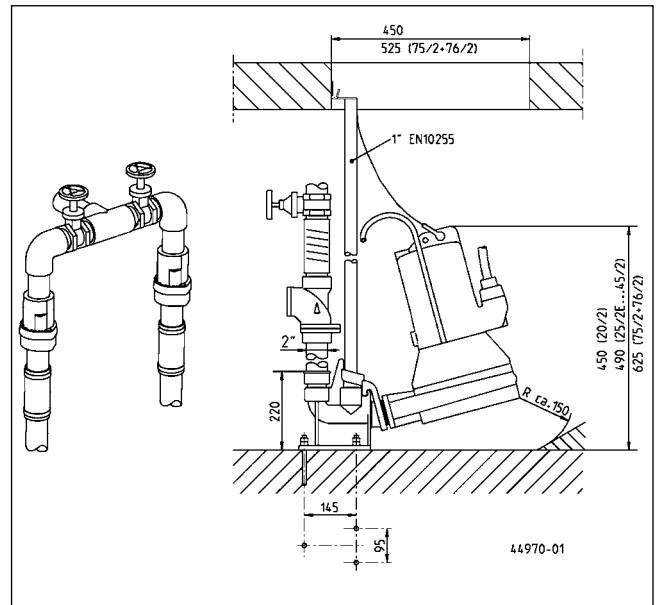
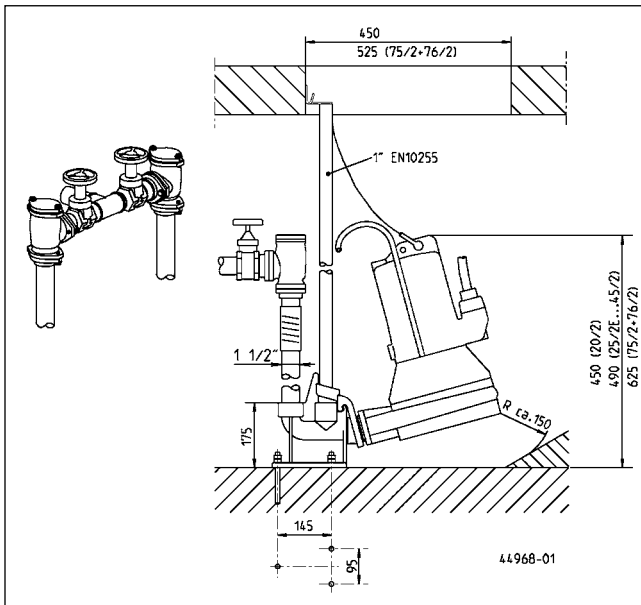
①	JP45634
②	JP45118
③	JP45124
④	JP45125
⑤	JP45134



MultiCut 08/2 M, Ex



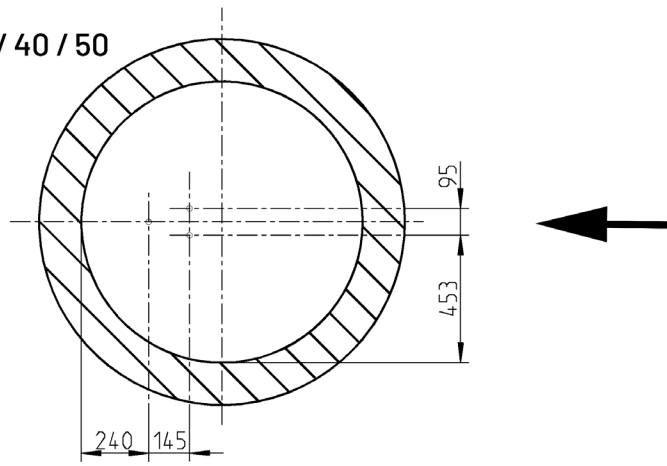
MultiCut 20/2 - 76/2 M



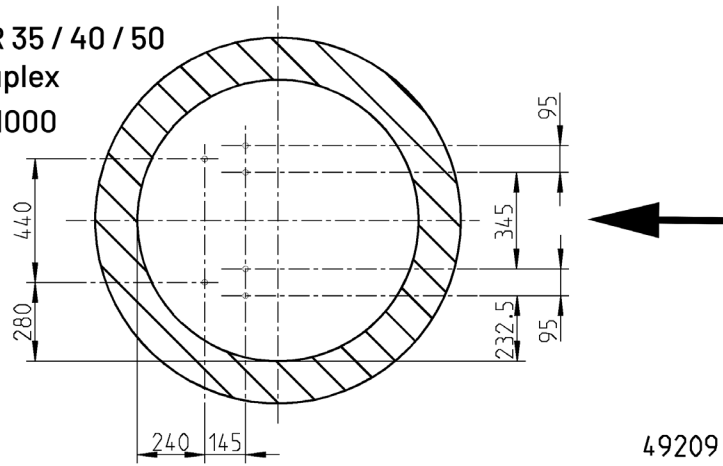
- **EN** - In case the pump snores during operation, a 6 mm hole should be drilled above the discharge into the pressure pipe to ensure the deaeration. When lowered the pump, a tiny jerk on the chain towards the guide tube improves the correct coupling.

GR 35 (JP14094)

GR 35 / 40 / 50
Ø 1000

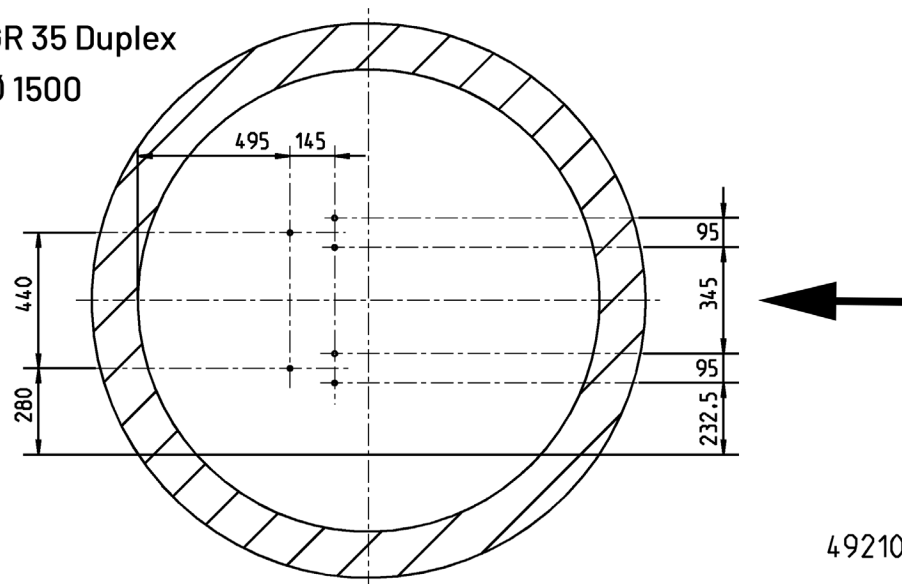


GR 35 / 40 / 50
Duplex
Ø 1000



49209

GR 35 Duplex
Ø 1500

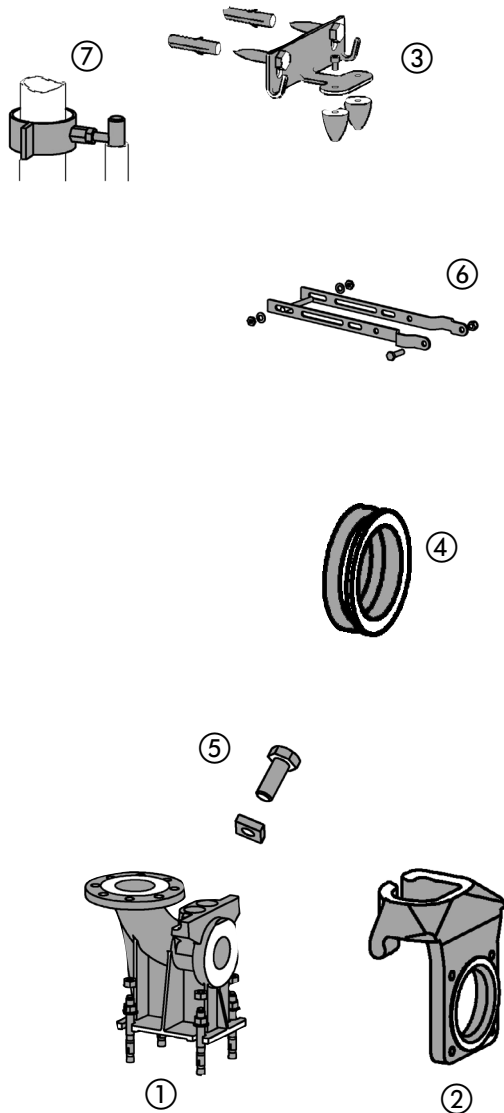


49210



GR 35 (JP14094)

Ersatzteile - Spare parts - Pièces de rechange - Reserveonderdelen - Parti di ricambio - Reservedele - Reservdelar
 Varaosat - Części zamienne - Náhradní díly - Alkatrészek - Piese de schimb - Запасные части - 备件



35	①	Fuß	Duckfoot bend	JP45634
	②	Klaue	Coupling claw	JP45125
	③	Befestigung	Retrainer	JP45118
	④	Dichtungen	Seals	JP45134
	⑤	Klemmung	Guide tube fixation	JP45124