



**PUMP TECHNICAL  
SERVICES LIMITED**



## MULTISTREAM

150/4 C3	200/2 B6	300/2 B6	150/4 C3, EX	200/2 B6, EX	300/2 B6, EX
150/4 C6	230/4 C3	300/4 C4	150/4 C6, EX	230/4 C3, EX	300/4 C4, EX
	230/4 C6	300/4 C6		230/4 C6, EX	300/4 C6, EX
	230/4 C7	300/4 C7		230/4 C7, EX	300/4 C7, EX

150/46 C3 UC 200/2 B6

EN Instruction Manual





You have purchased a product made by Pentair Jung Pumpen and with it, therefore, also excellent quality and service. Secure this service by carrying out the installation works in accordance with the instructions, so that our product can perform its task to your complete satisfaction. Please remember that damage caused by incorrect installation or handling will adversely affect the guarantee.

This appliance can be used by children aged 8 years or over and by persons with limited physical, sensory or intellectual capabilities, or with limited experience and knowledge, provided that they are supervised or have been instructed in the safe use of the appliance and are aware of the dangers involved. Children must not be allowed to play with the appliance. Cleaning and user maintenance must not be carried out by children unless they are supervised.

**Damage prevention in case of failure**

Like any other electrical device, this product may fail due to a lack of mains voltage or a technical defect.

If damage (including consequential damage) can occur as a result of product failure, the following precautions can be taken at your discretion:

- Installation of a water level dependent (under circumstances, mains-independent) alarm system, so that the alarm can be heard before damage occurs.
- Inspection of the collecting tank/chamber for tightness up to the top edge before – or at the latest, during – installation or operation of the product.
- Installation of backflow protection for drainage units that can be damaged by wastewater leakage upon product failure.
- Installation of a further product that can compensate in case of failure of the other product (e.g. duplex unit).
- Installation of an emergency power generator.

As these precautions serve to prevent or minimise consequential damage upon product failure, they are to be strictly observed as the manufacturer's guideline – in line with the standard DIN EN specifications as state of the art – when using the product (Higher Regional Court Frankfurt/Main, Ref.: 2 U 205/11, 06/15/2012).

## SAFETY INSTRUCTIONS

This instruction manual contains essential information that must be observed during installation, operation and servicing. It is therefore important that the installer and the responsible technician/operator read this instruction manual before the equipment is installed and put into operation. The manual must always be available at the location where the pump or the plant is installed.

Failure to observe the safety instructions can lead to the loss of all indemnity.

In this instruction manual, safety information is distinctly labelled with particular symbols. Disregarding this information can be dangerous.



General danger to people



Warning of electrical voltage

**NOTICE!** Danger to equipment and operation

**Qualification and training of personnel**

All personnel involved with the operation, servicing, inspection and installation of the equipment must be suitably qualified for this work and must have studied the instruction manual in depth to ensure that they are sufficiently conversant with its contents. The supervision, competence and areas of responsibility of the personnel must be precisely regulated by the operator. If the personnel do not have the necessary skills, they must be instructed and trained accordingly.

**Safety-conscious working**

The safety instructions in this instruction manual, the existing national regulations regarding accident prevention, and any internal working, operating and safety regulations must be adhered to.

**Safety instructions for the operator/user**

All legal regulations, local directives and safety regulations must be adhered to.

The possibility of danger due to electrical energy must be prevented.

Leakages of dangerous (e.g. explosive, toxic, hot) substances must be discharged such that no danger to people or the environment occurs. Legal regulations must be observed.

**Safety instructions for installation, inspection and maintenance works**

As a basic principle, works may only be carried out to the equipment when it is shut down. Pumps or plant that convey harmful substances must be decontaminated.

All safety and protection components must be re-fitted and/or made operational immediately after the works have been completed. Their effectiveness must be checked before restarting, taking into account the current regulations and stipulations.

**Unauthorised modifications, manufacture of spare parts**

The equipment may only be modified or altered in agreement with the manufacturer. The use of original spare parts and accessories approved by the manufacturer is important for safety reasons. The use of other parts can result in liability for consequential damage being rescinded.

**Unauthorised operating methods**

The operational safety of the supplied equipment is only guaranteed if the equipment is used for its intended purpose. The limiting values given in the "Technical Data" section may not be exceeded under any circumstances.

**Instructions regarding accident prevention**

Before commencing servicing or maintenance works, cordon off the working area and check that the lifting gear is in perfect condition.

Never work alone. Always wear a hard hat, safety glasses and safety shoes and, if necessary, a suitable safety belt.

Before carrying out welding works or using electrical devices, check to ensure there is no danger of explosion.

People working in wastewater systems must be vaccinated against the pathogens that may be found there. For the sake of your health, be sure to pay meticulous attention to cleanliness wherever you are working.

Make sure that there are no toxic gases in the working area.

Observe the health and safety at work regulations and make sure that a first-aid kit is to hand.

In some cases, the pump and the pumping medium may be hot and could cause burns.

For installations in areas subject to explosion hazards, special regulations apply!

## AREAS OF APPLICATION

Submersible pumps in the MultiStream range are suitable for pumping wastewater in municipal and industrial pumping stations, and in rainwater retention tanks.

MultiStream pumps are favoured for use with:

- wastewater containing fibres
- wastewater containing solids (without stones)
- mixed wastewater
- untreated water
- raw sludge
- surface water and rainwater

The submersible pumps are supplied without explosion protection or with explosion protection.

When using the pumps, the relevant national laws, regulations and stipulations must be adhered to, for example:

- Installation of low-voltage systems (e.g., VDE 0100 in Germany)
- Safety and working materials e.g., BetrSichV and BGR 500 in Germany)
- Safety in wastewater systems (e.g., GUV-V C5, GUV-R 104 and GUV-R 126 in Germany)
- Electrical systems and operating resources (e.g., GUV-V A3 in Germany)
- Explosion protection EN 60079-0, EN 60079-1 and EN 1127-1

For non-standard utilisation conditions in areas subject to explosion hazards, please ask the local authority responsible.

In Germany, this would be, for example, the Trade Supervisory Centre (Gewerbeaufsicht), the Technical Inspection Agency (TÜV), the building authority (Bauamt) or professional organisation (Berufsgenossenschaft).

The installation and operation of this equipment is regulated by the ordinance concerning the protection of health and safety in the provision of work equipment and its use at work, concerning safety when operating installations subject to monitoring, and concerning the organisation of industrial health and safety at work, (Betriebssicherheitsverordnung), Article 1.

Where no explosion protection is stipulated for the pumping of foul wastewater at the installation location, pumps without explosion protection may also be used.

### Modes of operation

with the pumped medium at a temperature of 40°C:

Motor submersed: continuous operation S1

Motor emerged: short duration operation S2; see "Technical Data"

Motor emerged: intermittent operation S3; see "Technical Data"

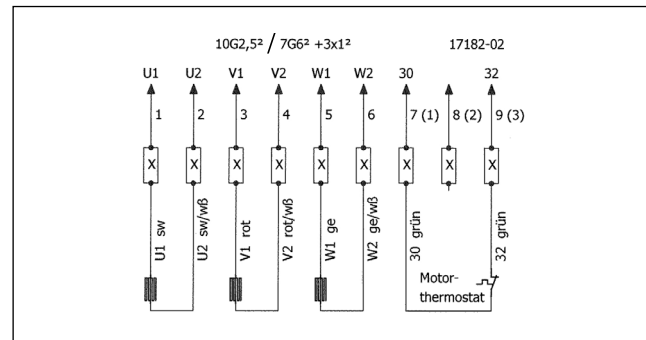
The submersible pump is frost-resistant down to -20°C when stored in dry conditions. When installed, however, it must not be allowed to freeze in the water.

### Transport

The pump must never be lifted by the power supply cable! The pump should only be lowered by using a chain.

## ELECTRICAL CONNECTION

Circuitry



Alterations to the circuitry are to be made using crimp connectors (X). The new crimp connection must be professionally made.

By using our controls, you can be sure that the requirements of the EU type-testing certificate are met.

**NOTICE!** Only qualified electricians may carry out electrical works to the pump or the controls.

The standards applicable in each case (e.g. EN), the country-specific regulations (e.g. VDE in Germany), and the regulations of the local supply network operator must be observed.

**NOTICE!** Never lay the end of cables in water! Penetrating water may cause malfunctions.

Only slow-blow fuses or automatic fuses with C or D characteristics are to be used as pre-fuses for the pump. Necessary fuse protection for star-delta start 35 A and 50 A for pumps 300...

The pump must be protected via an overload trip. Setting for star-delta start = nominal current x 0.58.

If the protective device has been triggered, the cause of the malfunction must be eliminated before switching on again.

### Coil thermostats

**NOTICE!** In addition to the overload trip or protective switch of the motor, the thermostats integrated in the motor winding must also be connected. The thermostats are suitable for 250 V / 1.2 A (cos phi = 0.6) and are labelled 30 and 32 for connection purposes.

### Thermostat connection without explosion protection

The thermostats are to be connected in such a way that the motor is switched off via the control circuit when the response temperature is reached. The motor is switched on again automatically after the winding has cooled down.

### Thermostat connection with explosion protection

The thermostats are to be connected in such a way that the motor is switched off via the control circuit when the response temperature is reached. It must not be possible for the motor to switch on again automatically after the winding has cooled down.



**WARNING!**

After an automatic cut-out via the temperature limiters, the

cause of the malfunction must first be eliminated. Only then may the motor be switched on again manually.

The restart interlock must be "non-resetting on power failure", i.e. the lock must be in place to prevent restarting even after a power cut (in Europe: Directive 2014/34/EU, Appendix II 1.5, EN 60079-17 Table1, B10).

### Operation with frequency converter

Frequency converters may only be used for controlling the frequency of special models of three-phase pumps. For hydraulic reasons we do not recommend operation below 30 Hz.

**NOTICE!** For physical reasons, pumps may not be operated at a higher frequency than that shown on the type plate. If the frequency increases beyond the value on the type plate, the power input increases and the motor is then overloaded.

For special models of three-phase pumps that are designed for frequency converter operation, the motor type shown on the type plate is labelled with an additional "K" (e.g. D90-2/75 CK). These pumps also have a sticker on the end of the cable that indicates their suitability for use with a frequency converter.

These motors are fitted with PTC thermistors as winding protectors. Voltages of more than 2.5 V may not be connected to the winding protection terminals 40 and 41! For explosion protected pumps, a type-tested tripping unit that complies with the EU type-testing requirements is also necessary.

### Rotational direction

The rotational direction must be checked before installation! If the rotational direction is correct, the start-up jolt should be in the opposite direction to the rotational direction arrow on the motor housing. The wrong rotational direction is also indicated if the pump performs inadequately when installed, or if loud noises can be heard during operation. If the rotational direction is wrong, 2 phases of the supply cable must be swapped over.

### CAUTION!

The start-up jolt can be very forceful.

### Potential equalisation

To comply with EN 60079-14 and EN 1127-1, an additional equipotential bonding must be installed for facilities with protective earth conductors in TN/TT networks in areas subject to explosion hazards. In Germany, for example, the design must be in accordance with VDE 0100, Part 540 (Association of German Electrical Engineers).

No additional potential equalisation is required on site for JUNG PUMPEN concrete or plastic chambers in explosion zones 1 and 2 (statement made by TÜV Nord (Technical Inspection Agency) in March 2008).

Exception: if conductive parts, such as cable protection sleeves made of corrugated pipe or a pressure pipe made of metal, are connected to the chamber from the outside. In this case, an electrically conductive connection must be made between the conductive parts and the housing of the pump(s). For corrosion protection reasons, the connection should be made using stainless steel.

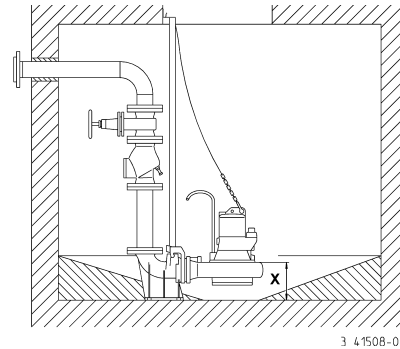
Explosion protected pumps have a special connection point at the cable entry point.

## INSTALLATION

**NOTICE!** Before the pump can be installed, the 4 plastic packaging feet must be unscrewed from the bottom of the pump housing and removed.

The pump must be installed as shown in the examples. For installations in accordance with EN 12056-4, the pressure pipe must be laid in a loop above the local back pressure level and protected with a back pressure prevention valve.

**Example installation** with guide rail system



**Assembly:** Fix the coupling base firmly to the floor of the collection chamber using plugs and then mount the guide rails. Next, install the pressure pipe including the necessary fittings, such as the non-return valve and shut-off valves.

Finally, fit the pump with the screwed-on coupling catch on to the guide rails and lower it into place using a chain fixed to the shackle.

A fixing facility for lifting gear should be provided above the chamber opening at a sufficient height.

Level monitoring can be carried out using various systems. Their specific characteristics and requirements can be found in the relevant operating manuals.

### WARNING!

In accordance with the explosion protection laws and regulations, JUNG Ex-pumps should never be allowed to run dry or to operate in "snore" mode.

The pump must switch off when the water level sinks to the upper edge of the pump housing (x in the illustration), at the very latest. This shut-down must be implemented via a separate switching circuit. Dry running for servicing or inspection purposes may only take place outside the potentially explosive area.

A correspondingly larger diameter pipe should be used for longer pressure pipelines to avoid pipe friction losses.

Rising pressure pipes must be protected from frost! A chamber cover must be selected that is suitable for the intended use and has the required load-bearing capacity.

If necessary, the pump housing can be ventilated by unscrewing the "LUFT" sealing screw. A flushing pipe, available as an accessory, can be installed to minimise deposits and the formation of floating layers in the chamber.

If the pump is malfunctioning, part of the contents of the oil reservoir could escape into the pumping medium.

**Not Ex-pumps.** If a hose is used as a pressure line, care must be taken to ensure that for every pumping operation the hose is completely empty before the pump is submerged. Any residual liquid would obstruct the ventilation of the pump housing

and therefore also hinder the pumping operation. This situation can also occur if the pump runs dry, pumps down to a lower lever than that shown in the installation drawing, or runs in "snore" mode during the daily test run. In these cases, the pump housing must be ventilated by unscrewing the "LUFT" sealing screw.

## SERVICING

Maintenance and inspection of this product must be carried out in accordance with EN 12056-4 and EN 60074-19.

To ensure continued reliability of service, we recommend that you take out a service contract.

### WARNING!

Before carrying out any works: disconnect the pump and the controls from the mains and take steps to ensure that it cannot be energized again.

### WARNING!

Check the mains cable for signs of mechanical and chemical damage. Damaged or kinked cables must be replaced by the manufacturer.

**NOTICE!** When using a chain to lift the pump, please observe the relevant national regulations regarding accident prevention. Lifting gear must be checked regularly by an expert in accordance with the legal regulations.

**NOTICE!** Motors in the Ex-range conform to the "flameproof enclosures" ignition protection category. Maintenance works that affect the explosion protection may only be carried out by authorised specialists or by the manufacturer. When carrying out repairs, all areas next to flameproof gaps must be checked for damages and, if necessary, replaced by genuine parts.

### Oil check

The drain plug is labelled "OEL". In order to check the mechanical seal, the oil, including any residue, must be drained from the oil reservoir and collected in a clean measuring container.

- If the oil is contaminated with water (milky), an oil change must be carried out. Check again after a further 300 operating hours, but at the very latest after 6 months!
- However, if the oil is contaminated with both water and pollutants, then not only the oil must be replaced, but the mechanical seal as well.

For monitoring the oil reservoir, it is also possible to retrofit the electrode of our "DKG" or "DKG-Ex" seal leak control device in place of the "DKG" sealing screw.

### Changing the oil

To ensure operational liability, the first oil change should be carried out after 300 operating hours, with further oil changes carried out after every 1000 operating hours.

If the number of operating hours is very low, an oil change should still be carried out at least once a year.

If wastewater with strongly abrasive constituents is being pumped, the oil changes should be carried out at correspondingly shorter intervals.

Use HLP hydraulic mineral oil, viscosity class 22 to 46, e.g. Mo-

bil DTE 22, DTE 24, DTE 25, to replace the oil in the oil reservoir. The quantity of oil required is 7000 cm<sup>3</sup>.

**NOTICE!** The oil reservoir may only be filled with the specified quantity of oil. Overfilling will result in the pump being rendered inoperable.

### Cleaning

To clean the impeller and the spiral housing, simply remove the 4 hexagonal screws and lift the motor unit off the spiral housing

### CAUTION!

Worn impellers can have sharp edges.

**Notice!** If the wrong screws are unscrewed, the oil will run out of the oil reservoir.

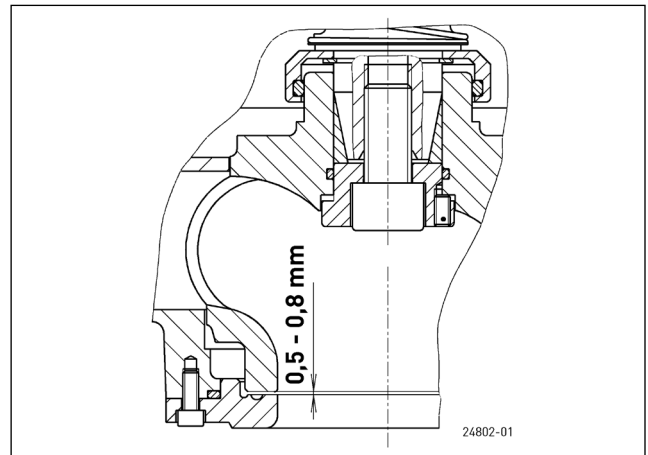
Tightening torque  $M_A$  for A2 screw materials

- for M 6  $M_A = 8 \text{ Nm}$
- for M 8  $M_A = 20 \text{ Nm}$
- for M 10  $M_A = 40 \text{ Nm}$
- for M 12  $M_A = 70 \text{ Nm}$
- for M 16  $M_A = 160 \text{ Nm}$
- for M 24  $M_A = 350 \text{ Nm}$

### Checking the pump unit

The housing screws for the pump, and the connecting and fixing screws of the installation must be checked to ensure they are fixed securely. They should be tightened if necessary.

If the pump performance decreases, or if increasingly loud noises can be heard during operation, the gap dimension between the impeller face and the wear plate must be checked for wear by an expert and replaced if necessary. Nominal dimension: 0.5 - 0.8 mm.



### Adjust the impeller gap

1. Block the impeller.
2. Loosen both the central impeller screw and the three setscrews.
3. Loosen the impeller by knocking it gently with a hammer.
4. Tighten the impeller screw until it is "hand tight".
5. Adjust the impeller gap by pulling the impeller down to the nominal dimension 0.5 - 0.8 mm.
6. Block the impeller again and tighten the impeller screw to 350 Nm.

7. Check the gap adjustment. Then tighten the three setscrews to a tightening torque of 5 Nm.

The maximum adjustment possible is 3 mm

### Replace the wear plate

1. Loosen the four cylinder head screws on the wear plate on the lower pump case.
2. Take out the old wear plate with the seal.
3. Clean the wear plate seat and insert the new wear plate with a new seal.
4. Tighten the four cylinder head screws again.
5. After this, readjust the impeller gap again.

### Replacing the impeller



#### CAUTION!

Worn impellers can have sharp edges.

1. Remove the 8 hexagonal screws and lift the motor unit off the spiral housing.
2. Block the impeller.
3. Loosen the central impeller screw located in the impeller hub.
4. Loosen the impeller by knocking it gently with a hammer and then slide it off the shaft with the compression piece.
5. Clean all the parts of the impeller mounting.
6. Unscrew the three setscrews from the compression piece.
7. Grease the shaft cover on the inside. **Notice!** Do not use grease containing graphite, (e.g. "Molykote").
8. Slide the compression piece into the impeller and assemble all parts of the impeller mounting.
9. Slide the new impeller over the preassembled impeller mounting onto the shaft and tighten the impeller screw until it is "hand tight".
10. Mount the motor unit on the ring housing; the cable entry point is opposite the discharge branch.
11. Set the gap dimension to 0.5 - 0.8 mm and then tighten the impeller screw to 350 Nm.
12. Finally, screw the three setscrews tight to 5 Nm.

## WHAT TO DO IN THE EVENT OF ANY PROBLEMS

### Pump does not work

- Check mains current (do not use a pin gauge)
- Fuse faulty = may be too weak (please refer to Electrical Connection)
- Mains supply cable damaged = repair to be carried out by manufacturer only

### Pump runs but does not pump


- Empty pressure pipe or hose to allow the non-return valve to open and let the air escape from the pump housing.
- Ventilate the pump housing by unscrewing the "LUFT" (air) sealing screw.

### The impeller is blocked


- Solids and fibrous matter have become lodged in the pump housing (please refer to Maintenance)

### Decreased pumping performance

- The impeller is blocked (please refer to maintenance)
- Rotor gap too large = adjust (please refer to maintenance)
- The impeller or the wear plate is worn out = replace it (please refer to maintenance)
- Wrong direction of rotation = change 2 phases of the power supply

 0197	
JUNG PUMPEN GmbH - Industriestr. 4-6 - 33803 Steinhagen, Germany 13 413.14.1910	
<b>EN 12050-1:2001</b> <b>Fäkalienhebeanlage</b>	
150/4 C3 (JP00491/3) 150/4 C6 (JP09882/2)  200/2 B6 (JP00492/3) 230/4 C3 (JP00883/4) 230/4 C6 (JP09885/2) 230/4 C7 (JP09393/0)  300/2 B6 (JP00471/4) 300/4 C4 (JP00493/4) 300/4 C6 (JP09888/2) 300/4 C7 (JP09395/0)	150/4 C3, EX (JP00474/3) 150/4 C6, EX (JP09883/2)  200/2 B6, EX (JP00472/3) 230/4 C3, EX (JP00884/4) 230/4 C6, EX (JP09886/2) 230/4 C7, EX (JP09393/0)  300/2 B6, EX (JP00473/4) 300/4 C4, EX (JP00475/4) 300/4 C6, EX (JP09889/2) 300/4 C7, EX (JP09395/0)
Sammeln und automatisches Heben von fäkalienfreiem und fäkalienhaltigem Abwasser über die Rückstauenebene	

BRANDVERHALTEN	NPD
WASSERDICHTHEIT	Bestanden
WIRKSAMKEIT (HEBEWIRKUNG)	
- Förderung von Feststoffen	Bestanden
- Rohranschlüsse	Bestanden
- Mindestmaße von Lüftungsleitungen	NPD
- Mindestfließgeschwindigkeit	Bestanden
- Freier Mindestdurchgang der Anlage	Bestanden
- Mindestnutz volumen	NPD
MECHANISCHE FESTIGKEIT	
- Tragfähigkeit und strukturelle Stabilität des Sammelbehälters für die Verwendung außerhalb von Gebäuden	NPD
- Strukturelle Stabilität des Sammelbehälters für die Verwendung innerhalb von Gebäuden	NPD
GERÄUSCHPEGEL	70 dB(A)
DAUERHAFTIGKEIT	
- der Wasserdichtheit	Bestanden
- der Hebewirkung	Bestanden
- der mechanischen Festigkeit	Bestanden
GEFÄHRLICHE SUBSTANZEN	NPD

 0197	
JUNG PUMPEN GmbH - Industriestr. 4-6 - 33803 Steinhagen, Germany 13 413.14.1910	
<b>EN 12050-1:2001</b> <b>Lifting plant for wastewater containing faecal matter</b>	
150/4 C3 (JP00491/3) 150/4 C6 (JP09882/2)  200/2 B6 (JP00492/3) 230/4 C3 (JP00883/4) 230/4 C6 (JP09885/2) 230/4 C7 (JP09393/0)  300/2 B6 (JP00471/4) 300/4 C4 (JP00493/4) 300/4 C6 (JP09888/2) 300/4 C7 (JP09395/0)	150/4 C3, EX (JP00474/3) 150/4 C6, EX (JP09883/2)  200/2 B6, EX (JP00472/3) 230/4 C3, EX (JP00884/4) 230/4 C6, EX (JP09886/2) 230/4 C7, EX (JP09393/0)  300/2 B6, EX (JP00473/4) 300/4 C4, EX (JP00475/4) 300/4 C6, EX (JP09889/2) 300/4 C7, EX (JP09395/0)
Collection and automatic lifting of wastewater without sewage and wastewater containing faecal matters above the backflow level	

REACTION TO FIRE	NPD
WATERTIGHTNESS	Pass
EFFECTIVENESS (LIFTING EFFECTIVENESS)	
- Pumping of solids	Pass
- Pipe connections	Pass
- Minimum dimensions of ventilating pipes system	NPD
- Minimum flow velocity	Pass
- Minimum free passage of the plant	Pass
- Minimum useful volume	NPD
MECHANICAL RESISTANCE	
- Load bearing capacity and structural stability of collection tank for use outside buildings	NPD
- Structural stability of collection tank for use inside buildings	NPD
NOISE LEVEL	70 dB(A)
DURABILITY	
- of structural stability	Pass
- of lifting effectiveness	Pass
- of mechanical resistance	Pass
DANGEROUS SUBSTANCES	NPD



**EU-Konformitätserklärung**  
**EU-Prohlášení o shodě**  
**EU-Overensstemmelseserklæring**  
**EU-Declaration of Conformity**  
**EU-vaatimustenmukaisuuskutsu**

**EU-Declaração de Conformidade**  
**EU-Declaratie de conformitate**  
**EU-Vyhlašení o zhode**  
**EU-Försäkrän om överensstämmelse**

DE - Richtlinien - Harmonisierte Normen  
 CS - Směrnice - Harmonizované normy  
 DA - Direktiv - Harmoniseret standard  
 EN - Directives - Harmonised standards  
 FI - Direktiivi - Yhdenmukaistettu standardi  
 FR - Directives - Normes harmonisées  
 HU - Irányelve - Harmonizált szabványok  
 IT - Direttive - Norme armonizzate  
 NL - Richtlijnen - Geharmoniseerde normen  
 PL - Dyrektywy - Normy zharmonizowane

- 2006/42/EG (MD) EN 809:1988/AC:2010, EN ISO 12100:2010
- 2011/65/EU (RoHS)
- 2014/30/EU (EMC)
- 2014/54/EU (ATEX)

JUNG PUMPEN GmbH - Industriest. 4-6 - 33803 Steinhagen - Germany - www.jung-pumpen.de

DE - Wir erklären in alleiniger Verantwortung, dass das Produkt den aufgeführten Richtlinien entspricht.  
 CS - Prohlášení je na svou vylučnou odpovědnost, že výrobek odpovídá jmenovaným směrnici.  
 DA - Vi erklærer under ansvar at produktet i overensstemmelse med de retningslinjer.  
 EN - We hereby declare, under our sole responsibility, that the product is in accordance with the specified Directives.  
 FI - Yhdenmukaistettu omalla vastuullamme, että tuote täyttää ohjeita.  
 FR - Nous déclarons sous notre propre responsabilité que le produit répond aux directives.  
 HU - Kizárólagos felelősségünk tudatában kijelentjük, hogy ez a termék megfelel az Európai Unió fennvezetett irányelveinek.  
 IT - Noi dichiariamo sotto la nostra esclusiva responsabilità che il prodotto è conforme alle direttive citate.  
 NL - Wij verklaren geheel onder eigen verantwoordelijkheid dat het product voldoet aan de gestelde richtlijnen.  
 PL - Z pełną odpowiedzialnością oświadczamy, że produkt odpowiada postanowieniom wymienionych dyrektyw.  
 PT - Declaramos, sob nossa exclusiva responsabilidade, que o produto está em conformidade com as Diretivas especificadas.  
 RO - Declaram pe proprie răspundere că produsul corespunde normelor prevăzute de directivele mai sus menționate.  
 SK - Na vylučnú zodpovednosť vyhlasujeme, že výrobok spĺňa požiadavky uvedených smerníc.  
 SV - Vi försäkrar att produkten på vårt ansvar är utförd enligt gällande riktlinjer.


- 150/4 C3 EX (JP00491/3) 230/4 C5 (JP09883/4) 300/2 B6 EX (JP00471/4)
- 150/4 C8 EX (JP09882/2) 230/4 C6 EX (JP09885/2) 300/4 C4 (JP00493/4)
- 2002/2 B6 EX (JP00492/3) 230/4 C7 (JP09383) 300/4 C8 (JP09888/2)
- 300/4 C7 EX (JP09385)

DE - Weitere normative Dokumente CS - Jinými normativními dokumenty DA - Andre normative dokumenter EN - Other normative documents FI - Muitten normien FR - Autres documents normatifs HU - Egyéb szabványok dokumentumokból leírtaék IT - Altri documenti normativi NL - Verdere normative documenten PL - Innymi dokumentami normatywnymi PT - Outros documentos normativos RO - Alte acte normative SK - Iným záväzným dokumentom SV - Vidare normerade dokument

**EN 60034-5-2001/1:2007**  
**EN 60034-5-2001/1:2007**

DE - Bevollmächtiger für technische Dokumentation CS - Oprávněná osoba pro technickou dokumentaci DA - autoriseret person for teknisk dokumentation EN - Authorized person for technical documentation FI - Valtuutettu henkilö tekninen dokumentaatio FR - Personne autorisée à la documentation technique HU - Hatalás személy műszaki dokumentáció IT - Persona abilitata per la documentazione tecnica NL - Bevoegd persoon voor technische documentatie PL - Pełnomocnik ds. dokumentacji technicznej PT - Pessoa autorizada para documentação técnica RO - Persoană autorizată pentru documentație tehnică SV - Förmänsad person för teknisk dokumentation

JUNG PUMPEN - Stefan Sirges - Industriest. 4-6 - 33803 Steinhagen  
 Steinhagen, 10-10-2019

  
 I.A. \_\_\_\_\_  
 Pascal Kögelbeck, Sales Manager

**EU-Konformitätserklärung**  
**EU-Prohlášení o shodě**  
**EU-Overensstemmelseserklæring**  
**EU-Declaration of Conformity**  
**EU-vaatimustenmukaisuuskutsu**

**EU-Declaração de Conformidade**  
**EU-Declaratie de conformitate**  
**EU-Vyhlašení o zhode**  
**EU-Försäkrän om överensstämmelse**

DE - Richtlinien - Harmonisierte Normen  
 CS - Směrnice - Harmonizované normy  
 DA - Direktiv - Harmoniseret standard  
 EN - Directives - Harmonised standards  
 FI - Direktiivi - Yhdenmukaistettu standardi  
 FR - Directives - Normes harmonisées  
 HU - Irányelve - Harmonizált szabványok  
 IT - Direttive - Norme armonizzate  
 NL - Richtlijnen - Geharmoniseerde normen  
 PL - Dyrektywy - Normy zharmonizowane

- 2006/42/EG (MD) EN 809:1988/AC:2010, EN ISO 12100:2010
- 2011/65/EU (RoHS)
- 2014/30/EU (EMC)
- 2014/54/EU (ATEX)

JUNG PUMPEN GmbH - Industriest. 4-6 - 33803 Steinhagen - Germany - www.jung-pumpen.de

DE - Wir erklären in alleiniger Verantwortung, dass das Produkt den aufgeführten Richtlinien entspricht.  
 CS - Prohlášení je na svou vylučnou odpovědnost, že výrobek odpovídá jmenovaným směrnici.  
 DA - Vi erklærer under ansvar at produktet i overensstemmelse med de retningslinjer.  
 EN - We hereby declare, under our sole responsibility, that the product is in accordance with the specified Directives.  
 FI - Yhdenmukaistettu omalla vastuullamme, että tuote täyttää ohjeita.  
 FR - Nous déclarons sous notre propre responsabilité que le produit répond aux directives.  
 HU - Kizárólagos felelősségünk tudatában kijelentjük, hogy ez a termék megfelel az Európai Unió fennvezetett irányelveinek.  
 IT - Noi dichiariamo sotto la nostra esclusiva responsabilità che il prodotto è conforme alle direttive citate.  
 NL - Wij verklaren geheel onder eigen verantwoordelijkheid dat het product voldoet aan de gestelde richtlijnen.  
 PL - Z pełną odpowiedzialnością oświadczamy, że produkt odpowiada postanowieniom wymienionych dyrektyw.  
 PT - Declaramos, sob nossa exclusiva responsabilidade, que o produto está em conformidade com as Diretivas especificadas.  
 RO - Declaram pe proprie răspundere că produsul corespunde normelor prevăzute de directivele mai sus menționate.  
 SK - Na vylučnú zodpovednosť vyhlasujeme, že výrobok spĺňa požiadavky uvedených smerníc.  
 SV - Vi försäkrar att produkten på vårt ansvar är utförd enligt gällande riktlinjer.


- 150/4 C3 EX (JP00474/3) 200/2 B6 EX (JP00472/3) 300/2 B6 EX (JP00473/4)
- 150/4 C6 EX (JP09883/2) 230/4 C3 EX (JP00884/4) 300/4 C4 EX (JP00475/4)
- 230/4 C6 EX (JP09886/2) 300/4 C6 EX (JP09889/2)
- 230/4 C7 EX (JP09383) 300/4 C7 EX (JP09385)

DE - Weitere normative Dokumente CS - Jinými normativními dokumenty DA - Andre normative dokumenter EN - Other normative documents FI - Muitten normien FR - Autres documents normatifs HU - Egyéb szabványok dokumentumokból leírtaék IT - Altri documenti normativi NL - Verdere normative documenten PL - Innymi dokumentami normatywnymi PT - Outros documentos normativos RO - Alte acte normative SK - Iným záväzným dokumentom SV - Vidare normerade dokument

**EN 60034-5-2001/1:2007**  
**EN 60034-5-2001/1:2007**

DE - Bevollmächtiger für technische Dokumentation CS - Oprávněná osoba pro technickou dokumentaci DA - autoriseret person for teknisk dokumentation EN - Authorized person for technical documentation FI - Valtuutettu henkilö tekninen dokumentaatio FR - Personne autorisée à la documentation technique HU - Hatalás személy műszaki dokumentáció IT - Persona abilitata per la documentazione tecnica NL - Bevoegd persoon voor technische documentatie PL - Pełnomocnik ds. dokumentacji technicznej PT - Pessoa autorizada para documentação técnica RO - Persoană autorizată pentru documentație tehnică SV - Förmänsad person för teknisk dokumentation

JUNG PUMPEN - Stefan Sirges - Industriest. 4-6 - 33803 Steinhagen  
 Steinhagen, 10-10-2019

  
 I.A. \_\_\_\_\_  
 Pascal Kögelbeck, Sales Manager



### EG-Baumusterprüfbescheinigung



- (1) Geräte und Schutzsysteme zur bestimmungsgemäßen Verwendung in explosionsgefährdeten Bereichen - Richtlinie 94/9/EG  
(2) EG-Baumusterprüfbescheinigungsnummer

**PTB 08 ATEX 1116 X**

- (3) Gerät: Tauchpumpenmotoren Typ D 160 - ...  
(4) Hersteller: Jung Pumpen GmbH  
(5) Anschrift: Industriestraße 4 - 6, 33803 Steinhagen, Deutschland  
(6) Die Bauart dieses Gerätes sowie die verschiedenen zulässigen Ausführungen sind in der Anlage und den darin aufgeführten Unterlagen zu dieser Baumusterprüfbescheinigung festgelegt.  
(7) Die Physikalisch-Technische Bundesanstalt bescheinigt als benannte Stelle Nr. 0102 nach Artikel 9 der Richtlinie des Rates der Europäischen Gemeinschaften vom 23. März 1994 (94/9/EG) die Erfüllung der grundlegenden Sicherheits- und Gesundheitsanforderungen für die Konzeption und den Bau von Geräten und Schutzsystemen zur bestimmungsgemäßen Verwendung in explosionsgefährdeten Bereichen gemäß Anhang II der Richtlinie.  
(8) Die Ergebnisse der Prüfung sind in dem vertraulichen Prüfbericht PTB Ex 08-18365 festgehalten.  
(9) Die grundlegenden Sicherheits- und Gesundheitsanforderungen werden erfüllt durch Übereinstimmung mit

**EN 60079-0:2006**

**EN 60079-1:2007**

- (10) Falls das Zeichen „X“ hinter der Bescheinigungsnummer steht, wird auf besondere Bedingungen für die sichere Anwendung des Gerätes in der Anlage zu dieser Bescheinigung hingewiesen.  
(11) Diese EG-Baumusterprüfbescheinigung bezieht sich nur auf Konzeption und Prüfung des festgelegten Gerätes gemäß Richtlinie 94/9/EG. Weitere Anforderungen dieser Richtlinie gelten für die Herstellung und das Inverkehrbringen dieses Gerätes. Diese Anforderungen werden nicht durch diese Bescheinigung abgedeckt.  
(12) Die Kennzeichnung des Gerätes muss die folgenden Angaben enthalten:

**II 2 G Ex d IIB T4**

Zertifizierungssektor Explosionsschutz  
im Auftrag

Braunschweig, 3. Februar 2009



### EC-TYPE-EXAMINATION CERTIFICATE (Translation)



- (1) Equipment and Protective Systems Intended for Use in Potentially Explosive Atmospheres - Directive 94/9/EC  
(2) EC-type-examination Certificate Number:

**PTB 08 ATEX 1116 X**

- (3) Equipment: Submersible pump motors, type D 160 - ...  
(4) Manufacturer: Jung Pumpen GmbH  
(5) Address: Industriestraße 4 - 6, 33803 Steinhagen, Germany  
(6) This equipment and any acceptable variation thereto are specified in the schedule to this certificate and the documents therein referred to.

- (7) The Physikalisch-Technische Bundesanstalt, notified body No. 0102 in accordance with Article 9 of the Council Directive 94/9/EC of 23 March 1994, certifies that this equipment has been found to comply with the Essential Health and Safety Requirements relating to the design and construction of equipment and protective systems intended for use in potentially explosive atmospheres, given in Annex II to the Directive.

The examination and test results are recorded in the confidential report PTB Ex 08-18365.

- (8) Compliance with the Essential Health and Safety Requirements has been assured by compliance with:  
**EN 60079-0:2006**  
**EN 60079-1:2007**

- (9) If the sign "X" is placed after the certificate number, it indicates that the equipment is subject to special conditions for safe use specified in the schedule to this certificate.

- (10) This EC-type-examination Certificate relates only to the design, examination and tests of the specified equipment in accordance to the Directive 94/9/EC. Further requirements of the Directive apply to the manufacturing process and supply of this equipment. These are not covered by this certificate.

- (11) The marking of the equipment shall include the following:

**II 2 G Ex d IIB T4**

Zertifizierungssektor Explosionsschutz

Braunschweig, February 3, 2009



## A n l a g e

- (13) **EG-Baumusterprüfbescheinigung PTB 08 ATEX 1116 X**

(15) Beschreibung des Gerätes

Bei dem Gerät handelt es sich um eine drehende elektrische Maschine zum Antrieb von Pumpen. Der Motorteil ist in der Zündschutzart Druckfeste Kapselung "d" ausgeführt. Die Stromzufuhr erfolgt über schwere Gummischlauchleitung NSSHöb oder ein mindest gleichwertiges, geprüftes Kabel.

(16) Prüfbericht PTB Ex 08-18365

(17) Besondere Bedingungen

Eine Reparatur an den zünddurchschlagsicheren Spalten darf nur entsprechend den konstruktiven Vorgaben des Herstellers erfolgen. Die Reparatur entsprechend den Werten der Tabelle 1 bzw. 2 der EN 60079-1 ist nicht zulässig.

Zusätzliche Hinweise für den sicheren Betrieb:

Für den Ein- und Anbau von Komponenten (Anschlussräume, Durchführungen, Ex-Kabel- und Leitungseinführungen, Anschlussteile) sind nur solche zugelassen, die mindestens dem auf dem Deckblatt angegebenen Normenstand technisch entsprechen und für die eine gesonderte Prüfbescheinigung vorliegt. Die in den entsprechenden Bescheinigungen der Komponenten aufgeführten Einsatzbedingungen sind dabei unbedingt zu beachten und müssen mindestens den in der vorstehenden EG-Baumusterprüfbescheinigung spezifizierten Einsatzbedingungen entsprechen.

Für den Abschluss des druckfesten Raumes sind mindestens Schrauben der Festigkeitsklasse A2-70 zu verwenden.

1. Für den Betrieb am Netz

Die Motoren dieses Typs müssen zusätzlich zu thermisch verzögerten Überstromauslösern durch 2 Temperaturbegrenzer (150 °C) geschützt werden.

2. Für den Betrieb am Umrichter

2.1 Die Motoren müssen durch eine Einrichtung zur direkten Temperaturüberwachung geschützt werden. Diese besteht aus

in die Wicklung eingebauten Temperaturfühlern  
(Kaltleiter DIN 44 082-150) und einem Auslösegerät  
mit dem Prüfzeichen PTB 3.53 – PTC/A bzw. nach  
Richtlinie 94/9/EG auf Funktion geprüft.

## S C H E D U L E

- (13) **EC-TYPE-EXAMINATION CERTIFICATE PTB 08 ATEX 1116 X**

(15) Description of equipment

The device is a rotary electric machine used for driving pumps. The motor section is designed to Flameproof Enclosure "d" type of protection. For power supply, heavy-duty NSSHöb rubber hose lines are used or tested cables of equivalent or better quality.

(16) Test Report PTB Ex 08-18365

(17) Special conditions for safe use

Repairs of the flameproof joints must be made in compliance with the structural specifications provided by the manufacturer. Repairs must not be made on the basis of values specified in tables 1 and 2 of EN 60079-1.

Additional notes for safe operation

Components attached or installed (terminal compartments, bushings, 'Ex' cable glands, connectors) must be of a technical standard that at least complies with the specifications on the cover sheet and for which a separate examination certificate has been issued. The operating conditions specified in component certificates must be followed and they must as a minimum conform with the operating conditions specified in the above EC Type Examination Certificate.

Screws complying with strength class A2-70 as a minimum must be used for enclosure of the flameproof chamber.

1. For mains operation

Motors of this type must be protected by two temperature limiters (150 °C) in addition to thermally delayed overcurrent releases.

2. For converter operation

2.1 The motors must be protected by a device providing for direct temperature monitoring. This device will comprise:

temperature sensors embedded in the winding  
(PTC resistor DIN 44 082-150) and a tripping device  
with test mark PTB 3.53 – PTC/A or function tested  
in accordance with Directive 94/9/EC.

The concerted operation of motor and monitoring device will be indicated by a plate additionally provided on the motor.

# Physikalisch-Technische Bundesanstalt

Braunschweig und Berlin

Anlage zur EG-Baumusterprüfbescheinigung PTB 08 ATEX 1116 X



Die Zusammengehörigkeit von Motor und Überwachungseinrichtung wird auf dem Motor durch ein Zusatzschild gekennzeichnet.

Überstromschutzeinrichtungen mit stromabhängig verzögerter Auslösung sind hierbei als zusätzliche Überwachung anzusehen.

2.2 Die Motoren werden im Frequenzbereich von 15 Hz bis 50/60 Hz betrieben. Die Ausgangsspannung des Umrichters wird dabei so geregelt, dass im Bereich von 15 Hz bis 50/60 Hz eine annähernd lineare Abhängigkeit zwischen der Spannung und der Frequenz eingehalten wird, d.h. Einhaltung eines praktisch konstanten Maschinenflusses entsprechend den Bemessungsdaten.

Die Strombegrenzung des Umrichters wird höchstens auf den 3fachen Motorstrom eingestellt.

Zusatz- und Überwachungseinrichtungen mit eigener Bescheinigung und Explosionsschutzkennzeichnung sind den am Einsatzort vorliegenden Bedingungen entsprechend auszuwählen.

Überwachungseinrichtungen müssen den Anforderungen nach Richtlinie 94/9/EG, Anhang II, Abschnitt 1.5 und EN 1127-1 genügen.

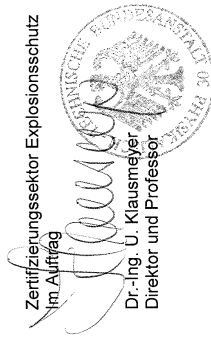
Weitere einschränkende Hinweise für den sicheren Betrieb sind dem jeweiligen Datenblatt für die Maschinenauslegung zu entnehmen.

Elektrisch-thermische Motorauslegung

Die Datenblätter 01 bis 05 der EG-Baumusterprüfbescheinigung PTB 02 ATEX 1070 sind gleichzeitig Bestandteil der vorstehenden EG-Baumusterprüfbescheinigung.

- (18) Grundlegende Sicherheits- und Gesundheitsanforderungen  
Erfüllt durch Übereinstimmung mit den vorgenannten Normen.

Zertifizierungssektor Explosionsschutz  
im Auftrag



Braunschweig, 3. Februar 2009

Seite 3/3

EG-Baumusterprüfbescheinigungen ohne Unterschrift und ohne Siegel haben keine Gültigkeit.  
Diese EG-Baumusterprüfbescheinigung darf nur unverändert weiterverbreitet werden.  
Auszüge oder Änderungen bedürfen der Genehmigung der Physikalisch-Technischen Bundesanstalt.  
Physikalisch-Technische Bundesanstalt • Bundesallee 100 • 38116 Braunschweig • DEUTSCHLAND

# Physikalisch-Technische Bundesanstalt

Braunschweig und Berlin

SCHEDULE TO EC-TYPE-EXAMINATION CERTIFICATE PTB 08 ATEX 1116 X



Overcurrent protection devices with current-based delayed tripping must in this context be regarded as additional monitoring devices.

2.2 The motors will be operated within the 15-Hz to 50/60-Hz frequency range. The converter output voltage will be controlled so that within the 15-Hz to 50/60-Hz range an approximately linear relationship between voltage and frequency will be maintained, i.e. that a basically constant machine flow in compliance with the ratings will be maintained.

The converter current limitation will be set at three times the motor current as a maximum.

Supplementary and monitoring devices with their own certificate and explosion protection marking have to be selected so that they comply with the conditions at the place of installation.

Monitoring devices must satisfy the requirements in Directives 94/9/EC, Annex II, section 1.5, and EN 1127-1.

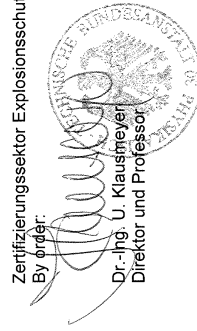
For any additional notes concerning restrictions for safe use, reference is made to the data sheet for the machine design.

Electro-thermal motor design

Data sheets 01 to 05 of EC Type Examination Certificate PTB 02 ATEX 1070 also form part of the above EC Type Examination Certificate.

- (18) Essential health and safety requirements  
Met by compliance with the afore-mentioned Standards.

Zertifizierungssektor Explosionsschutz  
By order:



Braunschweig, February 3, 2009

sheet 3/3

EC-type-examination. Certificates without signature and official stamp shall not be valid. The certificates may be circulated only without alteration. Extracts or alterations are subject to approval by the Physikalisch-Technische Bundesanstalt.  
In case of dispute, the German text shall prevail.

Physikalisch-Technische Bundesanstalt • Bundesallee 100 • 38116 Braunschweig • GERMANY

# Physikalisch-Technische Bundesanstalt

Braunschweig und Berlin

Datenblatt 01 zur EG-Baumusterprüfbescheinigung PTB 02 ATEX 1070

der Firma Jung Pumpen GmbH & Co, 33803 Steinhausen, Deutschland

Motorotyp Typ D 160 - 2 / 140 C bzw. D 160 - 2 / 140 CK

## Bemessungsgrößen und Daten

Diese Bescheinigung gilt unter der Voraussetzung, dass sich die Motoren dieses Typs hinsichtlich der elektrischen und thermischen Beanspruchungen nur unwesentlich von dem geprüften Muster unterscheiden, für die folgenden Ausführungen:

Leistung (Aufnahme):	21,15	kW	
Spannung:	218 - 242	380 - 420	655 - 725
Strom:	59,8	34,4	19,9
Leistungsfaktor:	0,92 - 0,90		
Frequenz:	50 oder 60		
Drehzahl:	2909 bzw. 3509		
Umgebungstemperatur:	max.	40	°C
$I_M/I_N$ :	5,0		
Betriebsart:	S1 bei eingetauchtem Motorteil, S2 26 min., S3 30 % <sup>1)</sup>		
<sup>1)</sup> Spieldauer	10 min.		

Die Bescheinigung gilt auch für Motoren mit einer geringeren Leistung, jedoch maximal bis zu 21,15 kW Aufnahmeleistung. Die entsprechenden Daten sind vom Hersteller auf dem Leistungsschild anzugeben.

Gegenüber den Bemessungswerten darf die Netzspannung bis zu  $\pm 5\%$  und die Netzfrequenz bis zu  $\pm 2\%$  entsprechend dem Bereich A nach IEC 34-1 schwanken.

Es sind nur Anschlusskabel oder -leitungen mit erhöhter Wärmebeständigkeit und einer Grenztemperatur von mindestens 90 °C zu verwenden.

## Temperaturüberwachung

Bei Motoren mit Kaltleiterschutz muss sichergestellt sein, dass bei festgebremstem Läufer und einem Verhältnis  $I_M/I_N = 5,0$  die Auslösezeit  $t_A = 27,9$  s mit einer Toleranz von  $\pm 20\%$  eingehalten wird. Dabei ist vom kalten Motor (20°C) und einer Netzspannung 400 V bei 50 Hz auszugehen.

Zur Vermeidung unzulässig hoher Temperaturen am Motorteil sind folgende Bedingungen zu beachten:

Bei der Betriebsart S1 muss sichergestellt werden, dass der komplette Motor in das Fördermedium eingetaucht ist. Bei der Betriebsart S2 26 Minuten sowie bei der Betriebsart S3 30 % mit einer Spieldauer von 10 Minuten muss mindestens das Pumpengehäuse komplett in das Fördermedium eingetaucht sein. Die Einhaltung der Betriebsart S2 bzw. S3 ist durch die elektrische Steuerung zu gewährleisten. Bei Nichteinhaltung einer dieser Bedingungen für die entsprechende Betriebsart, muss der Motor unverzüglich ausgeschaltet werden.

Prüfbericht PTB Ex 02-32209

Zertifizierungsstelle Explosionsschutz  
im Auftrag



Dr.-Ing. U. Engel  
Regierungsdirektor

Braunschweig, 27. August 2002

Blatt 1/1

# Physikalisch-Technische Bundesanstalt

Braunschweig und Berlin

DATA SHEET 01 TO EC-TYPE-EXAMINATION CERTIFICATE PTB 02 ATEX 1070

Manufacturer: Jung Pumpen GmbH & Co, 33803 Steinhausen, Germany

Motorotype Typ D 160 - 2 / 140 C or D 160 - 2 / 140 CK

## Ratings

This certificate is valid for the following designs providing the motors of this type differ only negligibly from the sample tested as regards the electrical and thermal stresses:

Power (input):	21,15	kW	
Voltage:	218 - 242	380 - 420	655 - 725
Current:	59,8	34,4	19,9
Power factor:	0,92 - 0,90		
Frequency:	50 or 60		
Speed:	2909 or 3509		
temperature of cooling medium:	max.	40	°C
$I_M/I_N$ ratio:	5,0		
Duty Type:	S1 with immersed motor section, S2 26 min., S3 30% <sup>1)</sup>		
<sup>1)</sup> cycle time	10 min.		

The certificate is also valid for motors with a lower power input, but up to 21,15 kW as a maximum. The manufacturer must state the corresponding data on the nameplate.

The mains voltage may vary by up to  $\pm 5\%$  and the mains frequency by up to  $\pm 2\%$  from the rated values, in keeping with range A according to IEC 34-1.

For this motor are only connecting cables or lines with increased thermal endurance and a temperature limit of at least 90 °C to used.

## Temperature monitoring

For motors with PTC thermistor are to be ensured that with a locked rotor and a ratio of  $I_M/I_N = 5,0$ , the release time  $t_A = 27,9$  s will be maintained at a tolerance of  $\pm 20\%$ . This applies for a cold motor (20 °C) and a rated voltage of 400 V at 50 Hz.

To avoid inadmissibly high temperatures on the motor the following conditions are to be considered:

For duty type S1 it must be ensured that the complete motor is immersed into the cooling medium. For duty type S2 26 minutes as well as for duty type S3 30% with a cycle time of 10 minutes the pump case must be completely immersed into the cooling medium. The adherence to the duty type S2 and/or S3 is to be ensured by the electrical control. During disregard one of these conditions for the respective duty type, the motor must be switched off immediately.

Report PTB Ex 02-32209

Zertifizierungsstelle Explosionsschutz  
By order



Dr.-Ing. U. Engel  
Regierungsdirektor

Braunschweig, August 27, 2002

page 1/1

## Physikalisch-Technische Bundesanstalt

Braunschweig und Berlin

Datenblatt 02 zur EG-Baumusterprüfbescheinigung PTB 02 ATEX 1070

der Firma Jung Pumpen GmbH & Co, 33803 Steinhagen, Deutschland

Motortyp Typ D 160 - 2 / 250 B bzw. D 160 - 2 / 250 BK

### Bemessungsgrößen und Daten

Diese Bescheinigung gilt unter der Voraussetzung, dass sich die Motoren dieses Typs hinsichtlich der elektrischen und thermischen Beanspruchungen nur unwesentlich von dem geprüften Muster unterscheiden, für die folgenden Ausführungen:

Leistung (Aufnahme):	31,5	kW		
Spannung:	218 - 242	380 - 420	655 - 725	V
Strom:	88,1	50,7	29,4	A
Leistungsfaktor:	0,94 - 0,92			
Frequenz:	50 oder 60			Hz
Drehzahl:	2928 bzw. 3528			min <sup>-1</sup>
Umgebungstemperatur:	max. 40			°C
$I_M/I_N$ :	6,4			
Betriebsart:	S1 bei eingetauchtem Motorteil, S2 32 min., S3 25 % <sup>1)</sup>			

<sup>1)</sup> Spieldauer 10 min.

Die Bescheinigung gilt auch für Motoren mit einer geringeren Leistung, jedoch maximal bis zu 31,5 kW Aufnahmeleistung. Die entsprechenden Daten sind vom Hersteller auf dem Leistungsschild anzugeben.

Gegenüber den Bemessungswerten darf die Netzspannung bis zu  $\pm 5\%$  und die Netzfrequenz bis zu  $\pm 2\%$  entsprechend dem Bereich A nach IEC 34-1 schwanken.  
Es sind nur Anschlusskabel oder -leitungen mit erhöhter Wärmebeständigkeit und einer Grenztemperatur von mindestens 90 °C zu verwenden.

### Temperaturüberwachung

Bei Motoren mit Kaltleiterschutz muss sichergestellt werden, dass bei festgebremstem Läufer und einem Verhältnis  $I_M/I_N = 6,4$  die Auslösezeit  $t_A = 18,8$  s mit einer Toleranz von  $\pm 20\%$  eingehalten wird. Dabei ist vom kalten Motor (20 °C) und einer Netzspannung 400 V bei 50 Hz auszugehen.

Zur Vermeidung unzulässig hoher Temperaturen am Motorteil sind folgende Bedingungen zu beachten:

Bei der Betriebsart S1 muss sichergestellt werden, dass der komplette Motor in das Fördermedium eingetaucht ist. Bei der Betriebsart S2 32 Minuten sowie bei der Betriebsart S3 25 % mit einer Spieldauer von 10 Minuten muss mindestens das Pumpengehäuse komplett in das Fördermedium eingetaucht sein. Die Einhaltung der Betriebsart S2 bzw. S3 ist durch die elektrische Steuerung zu gewährleisten. Bei Nichteinhaltung einer dieser Bedingungen für die entsprechende Betriebsart, muss der Motor unverzüglich ausgeschaltet werden.

Prüfbericht PTB Ex 02-32209

Zertifizierungsstelle Explosionsschutz  
Im Auftrag



*A. Engel*  
Dr.-Ing. U. Engel  
Regierungsdirektor

Braunschweig, 27. August 2002

Blatt 1/1



## Physikalisch-Technische Bundesanstalt

Braunschweig und Berlin

DATA SHEET 02 TO EC-TYPE-EXAMINATION CERTIFICATE PTB 02 ATEX 1070

Manufacturer: Jung Pumpen GmbH & Co, 33803 Steinhagen, Germany

Motortype Typ D 160 - 2 / 250 B or D 160 - 2 / 250 BK

### Ratings

This certificate is valid for the following designs providing the motors of this type differ only negligibly from the sample tested as regards the electrical and thermal stresses:

Power (input):	31.5	kW		
Voltage:	218 - 242	380 - 420	655 - 725	V
Current:	88.1	50.7	29.4	A
Power factor:	0.94 - 0.92			
Frequency:	50 or 60			Hz
Speed:	2928 or. 3528			min <sup>-1</sup>
temperature of cooling medium:	max. 40			°C
$I_M/I_N$ ratio:	6.4			
Duty Type:	S1 with immersed motor section, S2 32 min., S3 25% <sup>1)</sup>			

<sup>1)</sup> cycle time 10 min.

The certificate is also valid for motors with a lower power input, but up to 31.5 kW as a maximum. The manufacturer must state the corresponding data on the nameplate.

The mains voltage may vary by up to  $\pm 5\%$  and the mains frequency by up to  $\pm 2\%$  from the rated values, in keeping with range A according to IEC 34-1.  
For this motor are only connecting cables or lines with increased thermal endurance and a temperature limit of at least 90 °C to used.

### Temperature monitoring

For motors with PTC thermistor are to be ensured that with a locked rotor and a ratio of  $I_M/I_N = 6,4$ , the release time  $t_A = 18,8$  s will be maintained at a tolerance of  $\pm 20\%$ . This applies for a cold motor (20 °C) and a rated voltage of 400 V at 50 Hz.

To avoid inadmissibly high temperatures on the motor the following conditions are to be considered:

For duty type S1 it must be ensured that the complete motor is immersed into the cooling medium. For duty type S2 32 minutes as well as for duty type S3 25% with a cycle time of 10 minutes the pump case must be completely immersed into the cooling medium. The adherence to the duty type S2 and/or S3 is to be ensured by the electrical control. During disregard one of these conditions for the respective duty type, the motor must be switched off immediately.

Report PTB Ex 02-32209

Zertifizierungsstelle Explosionsschutz  
By order

Braunschweig, August 27, 2002



*A. Engel*  
Dr.-Ing. U. Engel  
Regierungsdirektor

page 1/1

# Physikalisch-Technische Bundesanstalt

Braunschweig und Berlin

Datenblatt 03 zur EG-Baumusterprüfbescheinigung PTB 02 ATEX 1070

der Firma Jung Pumpen GmbH & Co. 33803 Steinhagen, Deutschland

Motortyp Typ D 160 - 4 / 160 B bzw. D 160 - 4 / 160 BK

### Bemessungsgrößen und Daten

Diese Bescheinigung gilt unter der Voraussetzung, dass sich die Motoren dieses Typs hinsichtlich der elektrischen und thermischen Beanspruchungen nur unwesentlich von dem geprüften Muster unterscheiden, für die folgenden Ausführungen:

Leistung (Aufnahme):	17,5	kW		
Spannung:	218 - 242	380 - 420	655 - 725	V
Strom:	53,2	30,6	17,7	A
Leistungsfaktor:	0,86 - 0,82			
Frequenz:	50 oder 60			Hz
Drehzahl:	1452 bzw. 1752			min <sup>-1</sup>
Umgebungstemperatur:	max. 40			°C
$I_{th}/I_N$ :	5,8			
Betriebsart:	S1 bei eingetauchtem Motorteil, S2 29 min., S3 25% <sup>1)</sup>			
<sup>1)</sup> Spieldauer:	10 min.			

Die Bescheinigung gilt auch für Motoren mit einer geringeren Leistung, jedoch maximal bis zu 17,5 kW Aufnahmeleistung. Die entsprechenden Daten sind vom Hersteller auf dem Leistungsschild anzugeben.

Gegenüber den Bemessungswerten darf die Netzspannung bis zu  $\pm 5\%$  und die Netzfrequenz bis zu  $\pm 2\%$  entsprechend dem Bereich A nach IEC 34-1 schwanken.

### Temperaturüberwachung

Bei Motoren mit Kaltleiterschutz muss sichergestellt sein, dass bei festgebremstem Läufer und einem Verhältnis  $I_{th}/I_N = 5,8$  die Auslösezeit  $t_{th} = 22,7$  s mit einer Toleranz von  $\pm 20\%$  eingehalten wird. Dabei ist vom kalten Motor (20°C) und einer Netzspannung 400 V bei 50 Hz auszugehen.

Zur Vermeidung unzulässig hoher Temperaturen am Motorteil sind folgende Bedingungen zu beachten: Bei der Betriebsart S1 muss sichergestellt werden, dass der komplette Motor in das Fördermedium eingetaucht ist. Bei der Betriebsart S2 29 Minuten sowie bei der Betriebsart S3 25% mit einer Spieldauer von 10 Minuten muss mindestens das Pumpengehäuse komplett in das Fördermedium eingetaucht sein. Die Einhaltung der Betriebsart S2 bzw. S3 ist durch die elektrische Steuerung zu gewährleisten. Bei Nichteinhaltung einer dieser Bedingungen für die entsprechende Betriebsart, muss der Motor unverzüglich ausgeschaltet werden.

Prüfbericht PTB Ex 02-32209

Zertifizierungsstelle Explosionsschutz  
Im Auftrag



Dr.-Ing. U. Engel  
Regierungsdirektor

Braunschweig, 27. August 2002

Blatt 1/1

# Physikalisch-Technische Bundesanstalt

Braunschweig und Berlin

DATA SHEET 03 TO EC-TYPE-EXAMINATION CERTIFICATE PTB 02 ATEX 1070

Manufacturer: Jung Pumpen GmbH & Co. 33803 Steinhagen, Germany

Motortype Typ D 160 - 4 / 160 B or D 160 - 4 / 160 BK

### Ratings

This certificate is valid for the following designs providing the motors of this type differ only negligibly from the sample tested as regards the electrical and thermal stresses:

Power (input):	17.5	kW		
Voltage:	218 - 242	380 - 420	655 - 725	V
Current:	53.2	30.6	17.7	A
Power factor:	0.86 - 0.82			
Frequency:	50 or 60			Hz
Speed:	1452 or 1752			min <sup>-1</sup>
temperature of cooling medium:	max. 40			°C
$I_{th}/I_N$ ratio:	5.8			
Duty Type:	S1 with immersed motor section, S2 29 min., S3 25% <sup>1)</sup>			
<sup>1)</sup> cycle time:	10 min.			

The certificate is also valid for motors with a lower power input, but up to 17.5 kW as a maximum. The manufacturer must state the corresponding data on the nameplate.

The mains voltage may vary by up to  $\pm 5\%$  and the mains frequency by up to  $\pm 2\%$  from the rated values, in keeping with range A according to IEC 34-1.

### Temperature monitoring

For motors with PTC thermistor are to be ensured that with a locked rotor and a ratio of  $I_{th}/I_N = 5,8$ , the release time  $t_{th} = 22,7$  s will be maintained at a tolerance of  $\pm 20\%$ . This applies for a cold motor (20 °C) and a rated voltage of 400 V at 50 Hz.

To avoid inadmissibly high temperatures on the motor the following conditions are to be considered:

For duty type S1 it must be ensured that the complete motor is immersed into the cooling medium. For duty type S2 29 minutes as well as for duty type S3 25% with a cycle time of 10 minutes the pump case must be completely immersed into the cooling medium. The adherence to the duty type S2 and/or S3 is to be ensured by the electrical control. During disregard one of these conditions for the respective duty type, the motor must be switched off immediately.

Report PTB Ex 02-32209

Zertifizierungsstelle Explosionsschutz  
By order



Dr.-Ing. U. Engel  
Regierungsdirektor

Braunschweig, August 27, 2002

page 1/1

# Physikalisch-Technische Bundesanstalt

Braunschweig und Berlin



Datenblatt 04 zur EG-Baumusterprüfbescheinigung PTB 02 ATEX 1070

der Firma Jung Pumpen GmbH & Co, 33803 Steinhausen, Deutschland

Motortyp Typ D 160 - 4 / 200 B bzw. D 160 - 4 / 200 BK

## Bemessungsgrößen und Daten

Diese Bescheinigung gilt unter der Voraussetzung, dass sich die Motoren dieses Typs hinsichtlich der elektrischen und thermischen Beanspruchungen nur unwesentlich von dem geprüften Muster unterscheiden, für die folgenden Ausführungen:

Leistung (Aufnahme):	22,0	kW		
Spannung:	218 - 242	380 - 420	655 - 725	V
Strom:	66,0	37,9	22,0	A
Leistungsfaktor:	0,87 - 0,84			
Frequenz:	50 oder 60			Hz
Drehzahl:	1446 bzw. 1746			min <sup>-1</sup>
Umgebungstemperatur:	max.	40		°C
$I_M/I_N$ :	5,6			

Betriebsart: S1 bei eingetauchtem Motorteil, S2 28 min., S3 25 %<sup>1)</sup>

<sup>1)</sup> Spieldauer 10 min.

Die Bescheinigung gilt auch für Motoren mit einer geringeren Leistung, jedoch maximal bis zu 22,0 kW Aufnahmeleistung. Die entsprechenden Daten sind vom Hersteller auf dem Leistungsschild anzugeben.

Gegenüber den Bemessungswerten darf die Netzspannung bis zu  $\pm 5\%$  und die Netzfrequenz bis zu  $\pm 2\%$  entsprechend dem Bereich A nach IEC 34-1 schwanken.

## Temperaturüberwachung

Bei Motoren mit Kaltleiterschutz muss sichergestellt sein, dass bei festgebremstem Läufer und einem Verhältnis  $I_M/I_N = 5,6$  die Auslösezeit  $t_A = 23,2$  s mit einer Toleranz von  $\pm 20\%$  eingehalten wird. Dabei ist vom kalten Motor (20°C) und einer Netzspannung 400 V bei 50 Hz auszugehen.

Zur Vermeidung unzulässig hoher Temperaturen am Motorteil sind folgende Bedingungen zu beachten: Bei der Betriebsart S1 muss sichergestellt werden, dass der komplette Motor in das Fördermedium eingetaucht ist. Bei der Betriebsart S2 28 Minuten sowie bei der Betriebsart S3 25 % mit einer Spieldauer von 10 Minuten muss mindestens das Pumpengehäuse komplett in das Fördermedium eingetaucht sein. Die Einhaltung der Betriebsart S2 bzw. S3 ist durch die elektrische Steuerung zu gewährleisten. Bei Nichteinhaltung einer dieser Bedingungen für die entsprechende Betriebsart, muss der Motor unverzüglich ausgeschaltet werden.

Prüfbericht PTB Ex 02-32209

Zertifizierungsstelle Explosionsschutz  
Im Auftrag

Braunschweig, 27. August 2002



Dr.-Ing. U. Engel  
Regierungsdirektor

Blatt 1/1

# Physikalisch-Technische Bundesanstalt

Braunschweig und Berlin



DATA SHEET 04 TO EC-TYPE-EXAMINATION CERTIFICATE PTB 02 ATEX 1070

Manufacturer: Jung Pumpen GmbH & Co, 33803 Steinhausen, Germany

Motortype Typ D 160 - 4 / 200 B or D 160 - 4 / 200 BK

## Ratings

This certificate is valid for the following designs providing the motors of this type differ only negligibly from the sample tested as regards the electrical and thermal stresses:

Power (input):	22.0	kW		
Voltage:	218 - 242	380 - 420	655 - 725	V
Current:	66.0	37.9	22.0	A
Power factor:	0.87 - 0.84			
Frequency:	50 or 60			Hz
Speed:	1446 or 1746			min <sup>-1</sup>
temperature of cooling medium:	max.	40		°C
$I_M/I_N$ ratio:	5.6			

Duty Type: S1 with immersed motor section, S2 28 min., S3 25%<sup>1)</sup>

<sup>1)</sup> cycle time 10 min.

The certificate is also valid for motors with a lower power input, but up to 22.0 kW as a maximum. The manufacturer must state the corresponding data on the nameplate.

The mains voltage may vary by up to  $\pm 5\%$  and the mains frequency by up to  $\pm 2\%$  from the rated values, in keeping with range A according to IEC 34-1.

## Temperature monitoring

For motors with PTC thermistor are to be ensured that with a locked rotor and a ratio of  $I_M/I_N = 5.6$ , the release time  $t_A = 23.2$  s will be maintained at a tolerance of  $\pm 20\%$ . This applies for a cold motor (20 °C) and a rated voltage of 400 V at 50 Hz.

To avoid inadmissibly high temperatures on the motor the following conditions are to be considered:

For duty type S1 it must be ensured that the complete motor is immersed into the cooling medium. For duty type S2 28 minutes as well as for duty type S3 25% with a cycle time of 10 minutes the pump case must be completely immersed into the cooling medium. The adherence to the duty type S2 and/or S3 is to be ensured by the electrical control. During disregard one of these conditions for the respective duty type, the motor must be switched off immediately.

Report PTB Ex 02-32209

Zertifizierungsstelle Explosionsschutz  
By order

Braunschweig, August 27, 2002



Dr.-Ing. U. Engel  
Regierungsdirektor

page 1/1



Braunschweig und Berlin

Datenblatt 05 zur EG-Baumusterprüfbescheinigung PTB 02 ATEX 1070

der Firma Jung Pumpen GmbH &amp; Co. 33803 Steinhausen, Deutschland

Motortyp Typ D 160 - 4 / 250 B bzw. D 160 - 4 / 250 BK

Bemessungsgrößen und Daten

Diese Bescheinigung gilt unter der Voraussetzung, dass sich die Motoren dieses Typs hinsichtlich der elektrischen und thermischen Beanspruchungen nur unwesentlich von dem geprüften Muster unterscheiden, für die folgenden Ausführungen:

Leistung (Aufnahme):	27,5	kW		
Spannung:	218 - 242	380 - 420	655 - 725	V
Strom:	84,0	48,3	28,0	A
Leistungsfaktor:	0,83			
Frequenz:	50 oder 60			Hz
Drehzahl:	1448 bzw. 1748			min <sup>-1</sup>
Umgebungstemperatur:	max.	40		°C
$I_M/I_N$ :	6,2			

1) Spieldauer 10 min. S1 bei eingetauchtem Motorteil, S2 31 min., S3 25 %<sup>1)</sup>

Die Bescheinigung gilt auch für Motoren mit einer geringeren Leistung, jedoch maximal bis zu 27,5 kW Aufnahmeleistung. Die entsprechenden Daten sind vom Hersteller auf dem Leistungsschild anzugeben.

Gegenüber den Bemessungswerten darf die Netzspannung bis zu  $\pm 5\%$  und die Netzfrequenz bis zu  $\pm 2\%$  entsprechend dem Bereich A nach IEC 34-1 schwanken.

Es sind nur Anschlusskabel oder -leitungen mit erhöhter Wärmebeständigkeit und einer Grenztemperatur von mindestens 90 °C zu verwenden.

Temperaturüberwachung

Bei Motoren mit Kaltleiterschutz muss sichergestellt sein, dass bei festgebremstem Läufer und einem Verhältnis  $I_M/I_N = 6,2$  die Auslösezeit  $t_a = 19,7$  s mit einer Toleranz von  $\pm 20\%$  eingehalten wird. Dabei ist vom kalten Motor (20°C) und einer Netzspannung 400 V bei 50 Hz auszugehen.

Zur Vermeidung unzulässig hoher Temperaturen am Motorteil sind folgende Bedingungen zu beachten:

Bei der Betriebsart S1 muss sichergestellt werden, dass der komplette Motor in das Fördermedium eingetaucht ist. Bei der Betriebsart S2 31 Minuten sowie bei der Betriebsart S3 25 % mit einer Spieldauer von 10 Minuten muss mindestens das Pumpengehäuse komplett in das Fördermedium eingetaucht sein. Die Einhaltung der Betriebsart S2 bzw. S3 ist durch die elektrische Steuerung zu gewährleisten. Bei Nichteinhaltung einer dieser Bedingungen für die entsprechende Betriebsart, muss der Motor unverzüglich ausgeschaltet werden.

Prüfbericht PTB Ex 02-32209

Zertifizierungsstelle Explosionsschutz  
Im Auftrag

*A. U. Engel*  
Dr.-Ing. U. Engel  
Regierungsdirektor

Blatt 1/1

Braunschweig und Berlin

DATA SHEET 05 TO EC-TYPE-EXAMINATION CERTIFICATE PTB 02 ATEX 1070

Manufacturer: Jung Pumpen GmbH &amp; Co, 33803 Steinhausen, Germany

Motortype Typ D 160 - 4 / 250 B or D 160 - 4 / 250 BK

Ratings

This certificate is valid for the following designs providing the motors of this type differ only negligibly from the sample tested as regards the electrical and thermal stresses:

Power (input):	27.5	kW		
Voltage:	218 - 242	380 - 420	655 - 725	V
Current:	84.0	48.3	28.0	A
Power factor:	0.83			
Frequency:	50 or 60			Hz
Speed:	1448 or 1748			min <sup>-1</sup>
temperature of cooling medium:	max.	40		°C
$I_M/I_N$ ratio:	6.2			

Duty Type: S1 with immersed motor section, S2 31 min., S3 25%<sup>1)</sup>

<sup>1)</sup> cycle time 10 min.

The certificate is also valid for motors with a lower power input, but up to 27.5 kW as a maximum. The manufacturer must state the corresponding data on the nameplate.

The mains voltage may vary by up to  $\pm 5\%$  and the mains frequency by up to  $\pm 2\%$  from the rated values, in keeping with range A according to IEC 34-1.

For this motor are only connecting cables or lines with increased thermal endurance and a temperature limit of at least 90 °C to used.

Temperature monitoring

For motors with PTC thermistor are to be ensured that with a locked rotor and a ratio of  $I_M/I_N = 6,2$ , the release time  $t_a = 19,7$  s will be maintained at a tolerance of  $\pm 20\%$ . This applies for a cold motor (20 °C) and a rated voltage of 400 V at 50 Hz.

To avoid inadmissibly high temperatures on the motor the following conditions are to be considered:

For duty type S1 it must be ensured that the complete motor is immersed into the cooling medium. For duty type S2 31 minutes as well as for duty type S3 25% with a cycle time of 10 minutes the pump case must be completely immersed into the cooling medium. The adherence to the duty type S2 and/or S3 is to be ensured by the electrical control. During disregard one of these conditions for the respective duty type, the motor must be switched off immediately.

Report PTB Ex 02-32209

Zertifizierungsstelle Explosionsschutz  
By order

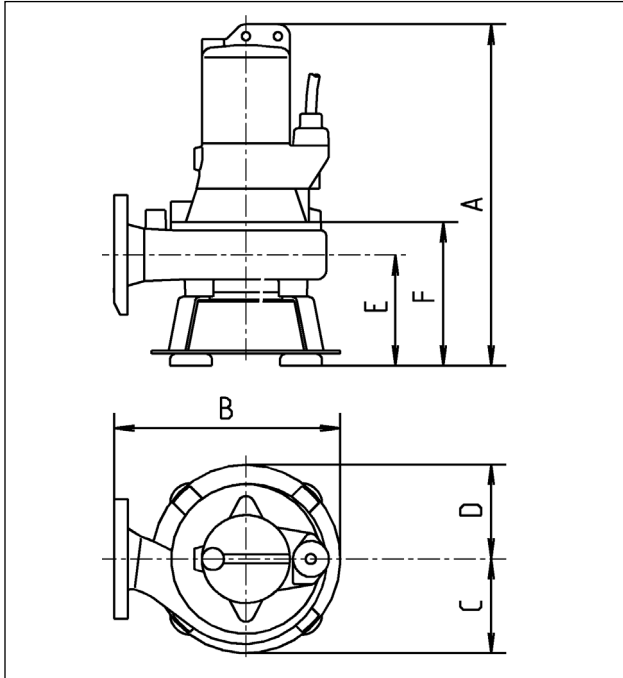
Braunschweig, August 27, 2002



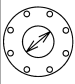

*A. U. Engel*  
Dr.-Ing. U. Engel  
Regierungsdirektor

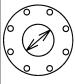

page 1/1

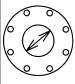
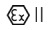
## Technical data



MULTISTREAM	A	B	C	D	E	F
150/4 C3	925	695	325	260	250	330
150/4 C6	925	610	290	250	250	330
151/4 C3	925	695	325	260	250	330
151/4 C6	925	610	290	250	250	330
200/2 B6	885	535	235	195	210	290
230/4 C3	1015	695	325	260	250	330
230/4 C6	1015	610	290	250	250	330
230/4 C7	1015	725	325	260	250	330
231/4 C4	1015	695	325	260	250	330
231/4 C6	1015	610	290	250	250	330
300/2 B6	975	535	235	195	210	290
300/4 C4	1015	695	325	260	250	330
300/4 C6	1015	610	290	250	250	330
300/4 C7	1015	725	325	260	250	330

		150/4 C3	150/4 C6	151/4 C3	151/4 C6
	[kg]	268	247	269	247
	PN 6 / 10	DN 150	DN 100	DN 150	DN 100
	[mm]	100	100	100	100
	S2	45 min.	45 min.	29 min.	29 min.
	S3*	40 %	40 %	25 %	25 %
EX		D 160-4/160	D 160-4/160	D 160-4/160	D 160-4/160
Motor	PTB 08	ATEX 1116 X	ATEX 1116 X	ATEX 1116 X	ATEX 1116 X
	 II 2 G	Ex d IIB T4	Ex d IIB T4	Ex d IIB T4	Ex d IIB T4
P1	[kW]	15,0	15,0	17,5	17,5
P2	[kW]	13,2	13,2	15,3	15,3
U	[V]	3/PE ~400 / 690	3/PE ~400 / 690	3/PE ~400 / 690	3/PE ~400 / 690
f	[Hz]	50	50	50	50
I	[A]	26,7 / 15,5	26,7 / 15,5	30,6 / 17,7	30,6 / 17,7
cos phi		0,81	0,81	0,86	0,86
n	[min <sup>-1</sup> ]	1466	1466	1452	1452

		<b>200/2 B6</b>	<b>230/4 C3</b>	<b>230/4 C6</b>	<b>230/4 C7</b>
	[kg]	212	288	275	295
	PN 6 / 10	DN 100	DN 150	DN 100	DN 200
	[mm]	70	100	100	100
	S2	50 min.	30 min.	39 min.	39 min.
	S3*	45 %	35 %	35 %	35 %
Ex-Motor	PTB 08	D 160-2/140	D 160-4/200	D 160-4/200	D 160-4/200
		ATEX 1116 X	ATEX 1116 X	ATEX 1116 X	ATEX 1116 X
		Ex d IIB T4	Ex d IIB T4	Ex d IIB T4	Ex d IIB T4
P1	[kW]	17,3	19,3	19,3	19,3
P2	[kW]	15,4	17,0	17,0	17,0
U	[V]	3/PE ~400 / 690	3/PE ~400 / 690	3/PE ~400 / 690	3/PE ~400 / 690
f	[Hz]	50	50	50	50
I	[A]	28,8 / 16,7	34,1 / 19,8	34,1 / 19,8	34,1 / 19,8
cos phi		0,88	0,83	0,83	0,83
n	[min <sup>-1</sup> ]	2940	1460	1460	1460

		<b>300/2 B6</b>	<b>300/4 C4</b>	<b>300/4 C6</b>	<b>300/4 C7</b>		<b>150/46 C3</b>
	[kg]	257	308	296	315		288
	PN 6 / 10	DN 100	DN 150	DN 100	DN 200		DN 150
	[mm]	70	100	100	100		100
	S2	58 min.	35 min.	35 min.	35 min.		15 min.
	S3*	35 %	25 %	25 %	25 %		15 %
EX Motor	PTB 08	D 160-2/250	D 160-4/250	D 160-4/250	D 160-4/250		D160-4/200 B
		ATEX 1116 X	ATEX 1116 X	ATEX 1116 X	ATEX 1116 X		--
		Ex d IIB T4	Ex d IIB T4	Ex d IIB T4	Ex d IIB T4	Ex d IIB T4	
P1	[kW]	27,0	25,5	25,5	25,5		24,0
P2	[kW]	24,5	22,7	22,7	22,7		20,4
U	[V]	3/PE ~400 / 690	3/PE ~400 / 690	3/PE ~400 / 690	3/PE ~400 / 690		3/PE ~460 / 795
f	[Hz]	50	50	50	50		60
I	[A]	43,0 / 24,7	45,5 / 26,4	45,5 / 26,4	45,5 / 26,4		35,2 / 20,3
cos phi		0,91	0,81	0,83	0,81		0,85
n	[min <sup>-1</sup> ]	2950	1460	1460	1460		1750

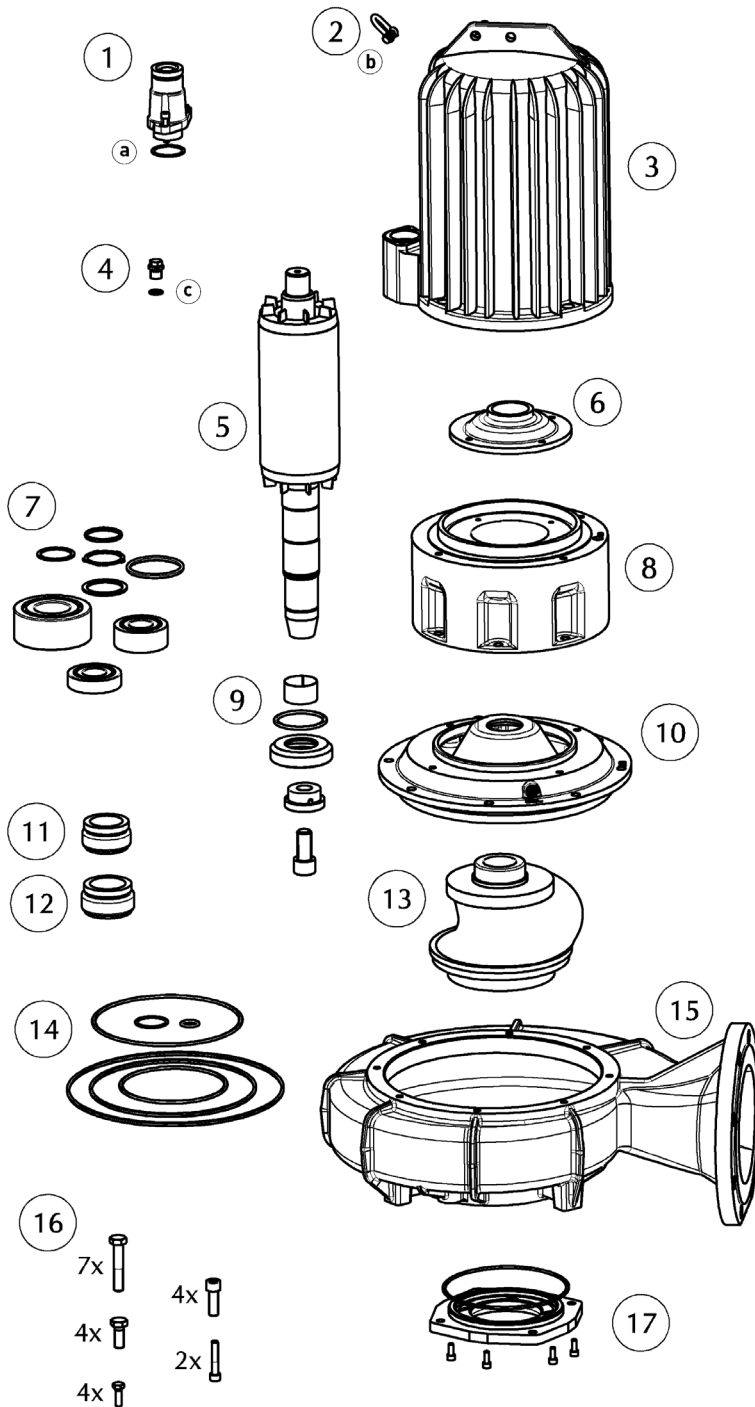
- \* Beispiel: 40%: 4 min Betrieb + 6 min Pause (Spieldauer 10 min)
- \* Example for 40%: 4 min. operation and 6 min. rest (Cycle duration 10 min.)
- \* Exemple: 40% = 4 min de service et 6 min de pause (Durée du jeu 10 min)
- \* Eksempel: 40%: 4 min drift + 6 min pause (spilletid 10 min)
- \* Exemplo para 40%: 4 min. operação e 6 min. pausa (duração de ciclo 10 min.)
- \* Esempio: 40%: 4 min. di funzionamento + 6 min. di pausa (durata del ciclo 10 min.)
- \* Przykładowo 40%: 4 min pracy i 6 min przerwy (Czas cyklu 10 min)
- \* Příklad 40%: 4 min. provoz a 6 min. přestávka (trvání pracovního cyklu 10 min.)
- \* Příklad 40%: 4 min prevádzka a 6 min prestávka (doba trvania cyklu 10 min)
- \* 4 perc üzem és 6 perc szünet (ciklusidő 10 perc)
- \* Exemplu 40%: 4 min funcționare și 6 min pauză (timp aproximativ 10 min)

## PERFORMANCE

H[m]	1	3	6	9	12	15	18	21	24	27	30	35	40	45	50	55	60	
200/2 B6	217	214	204	191	177	163	149	136	120	104	91	67	43	22				
300/2 B6	280	277	270	263	254	242	229	216	199	183	167	141	113	89	63	39	17	
H[m]	1	2	3	4	5	6	7	8	9	12	15	18	21	24	27	30	33	36
150/4 C3	400	388	373	360	350	339	325	312	291	245	192	135	80	35				
150/4 C6	320	315	300	290	280	270	260	246	231	200	164	126	80	40	14			
230/4 C3	455	441	434	426	413	400	394	382	369	322	272	212	153	98	45			
230/4 C6	405	400	391	383	371	360	344	332	321	281	234	180	140	91	51	22		
230/4 C7	460	449	443	435	429	418	409	399	387	339	282	217	158	97	42			
300/4 C4	520	510	500	490	478	469	455	443	426	385	334	282	223	172	118	66	26	
300/4 C6	430	426	420	416	412	400	390	381	373	341	302	254	212	178	140	95	59	26
300/4 C7	540	535	524	517	509	496	483	473	453	415	355	300	238	180	126	71	26	
150/46 C3	437	432	427	422	416	411	404	396	386	355	318	273	224	176	137	87	49	19

## MULTISTREAM 150 - 300

Ersatzteile - Spare parts - Pièces de rechange - Reserveonderdelen - Parti di ricambio - Reservedele - Reservdelar  
 Varaosat - Części zamienne - Náhradní díly - Alkatrészek - Piese de schimb - Запасные части - 备件



a	10x O-Ring 47x3,5	JP48110
b	10x Splint / Cotter pins 1,6 x 20	JP46182
c	10x O-Ring 10x2,5	JP48088

①	Leitung 150-231, 10 M 300, 10 M 150-231 EX, 10 M 150-231 EX, 15 M 150-231 EX, 20 M 150-231 EX, 25 M 150-231 EX, 30 M 300 EX, 10 M 300 EX, 15 M 300 EX, 20 M 300 EX, 25 M 300 EX, 30 M	Cable	JP47179 JP47095 JP47180 JP49055 JP49056 JP49057 JP49058 JP47097 JP48157 JP48158 JP48159 JP48160
②	Schäkel	Shackle	JP45904
③	Stator + Gehäuse 150/4, 151/4 200/2 230/4, 231,4 300/2 300/4	Stator + Housing	JP47091 JP47089 JP47092 JP47090 JP47093
④	Ölschraube	Oil screw	JP46046
⑤	Rotorwelle 150/4, 151/4 200/2 230/4, 231,4 300/2 300/4	Rotor shaft	JP47109 JP47110 JP47111 JP47112 JP47113
⑥	Lagerdeckel	Bearing cover	JP47100
⑦	Lagersatz 150-231 300	Bearing set	JP47108 JP47044
⑧	Lagerkammer 200/2, 300/2 150/4 - 300/4	Bearing housing	JP47128 JP47129
⑨	Laufradbefestigung	Impeller fixation	JP47046
⑩	Trennflansch B6 C3, C4, C7 C6	Partition flange	JP47125 JP47126 JP47127
⑪	Gleitringdichtung	Mechanical seal	JP47114
⑫	Gleitringdichtung	Mechanical seal	JP47115
⑬	Laufrad 200/2 B6 300/2 B6 150/4 C3 151/4 C3, 230/4 C3, 230/4 C7 231/4 C4, 300/4 C4, 300/4 C7 150/4 C6 151/4 C6, 230/4 C6 231/4 C6, 300/4 C6	Impeller	JP47117 JP47118 JP47119 JP47120 JP47121 JP47122 JP47123 JP47124
⑭	Dichtungssatz	Seal set	JP47099
⑮	Pumpengehäuse B6 C3, C4 C6 C7	Pump casing	JP47101 JP47102 JP47103 JP47104
⑯	Schraubensatz	Screw set	JP47098
⑰	Schleißring 150/4 C3 151/4 C3, 230/4 C3, C4, C7 B6 C6	Wear ring	JP47105 JP47106 JP47074 JP48108
⑱	1l Öl	1l Oil	JP48236



**PUMP TECHNICAL  
SERVICES LIMITED**

