

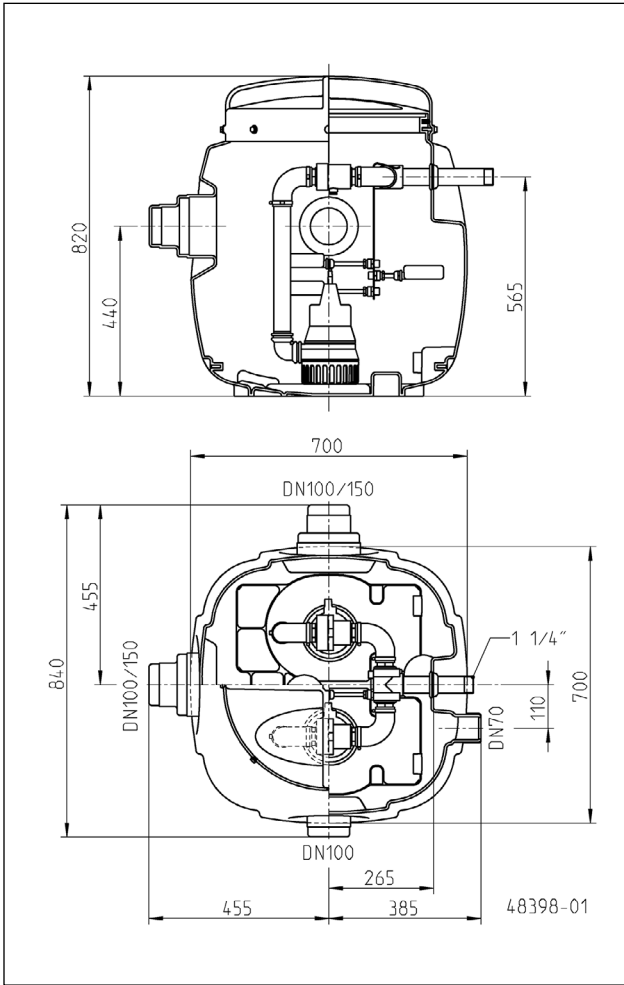


HEBEFIX 200

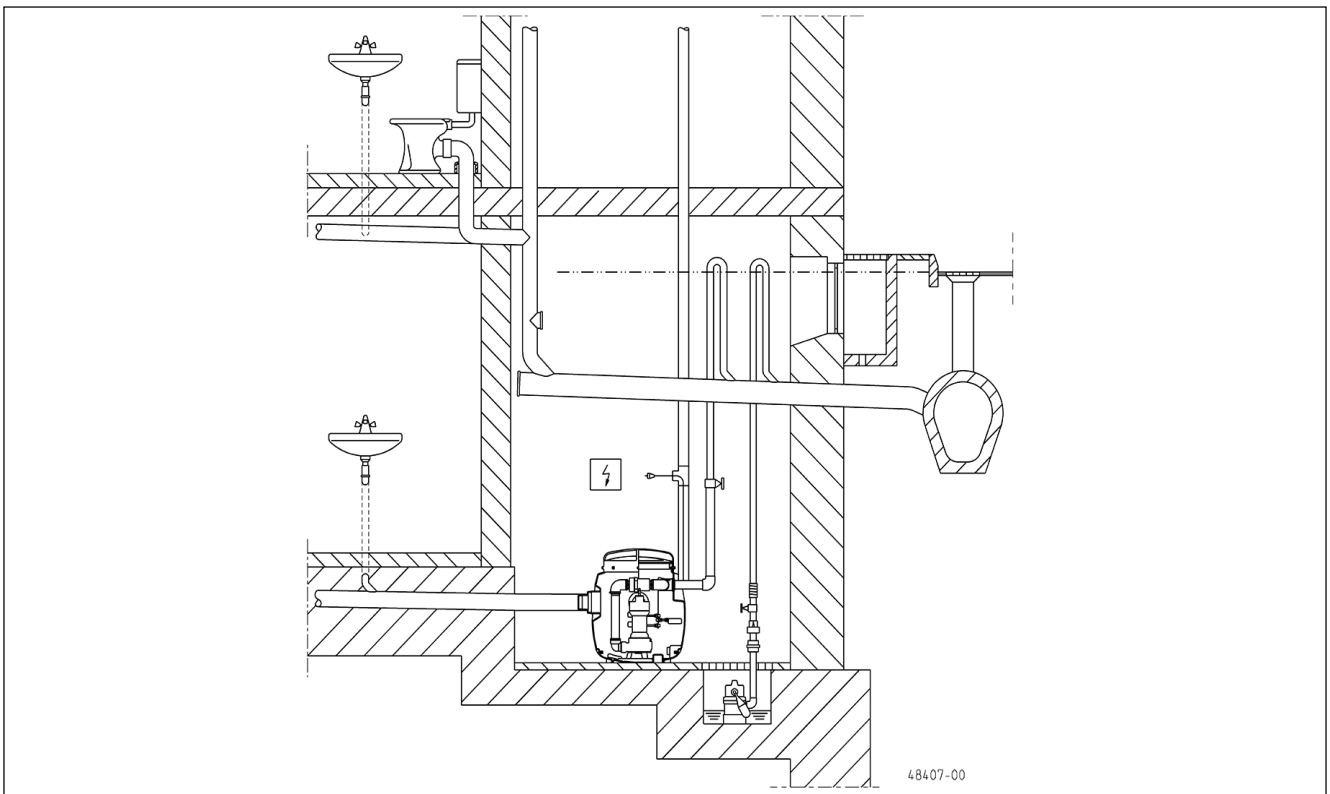
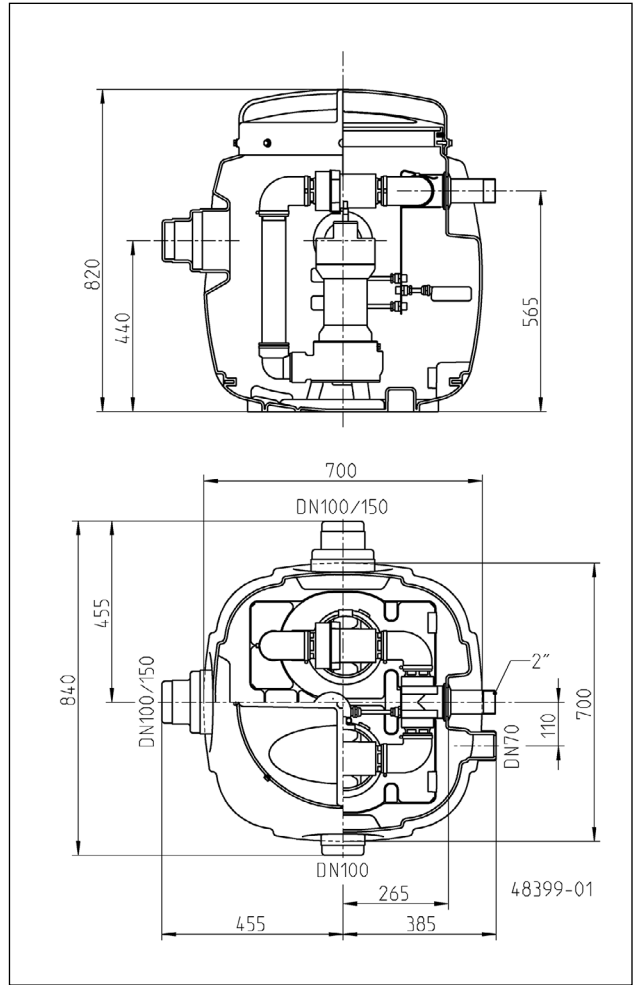
EN Instruction Manual

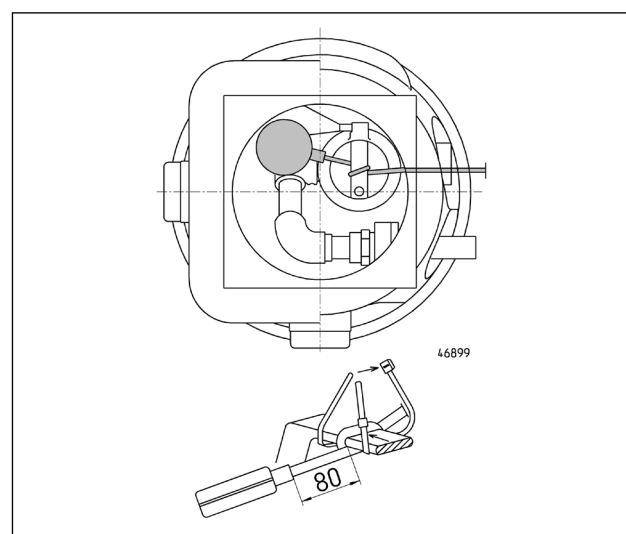
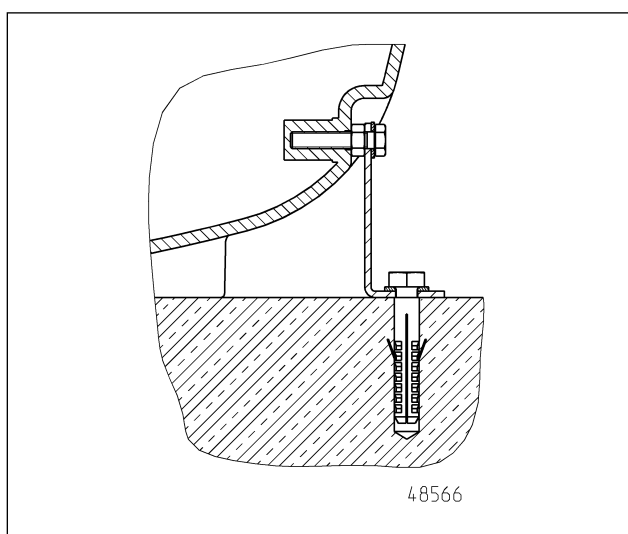
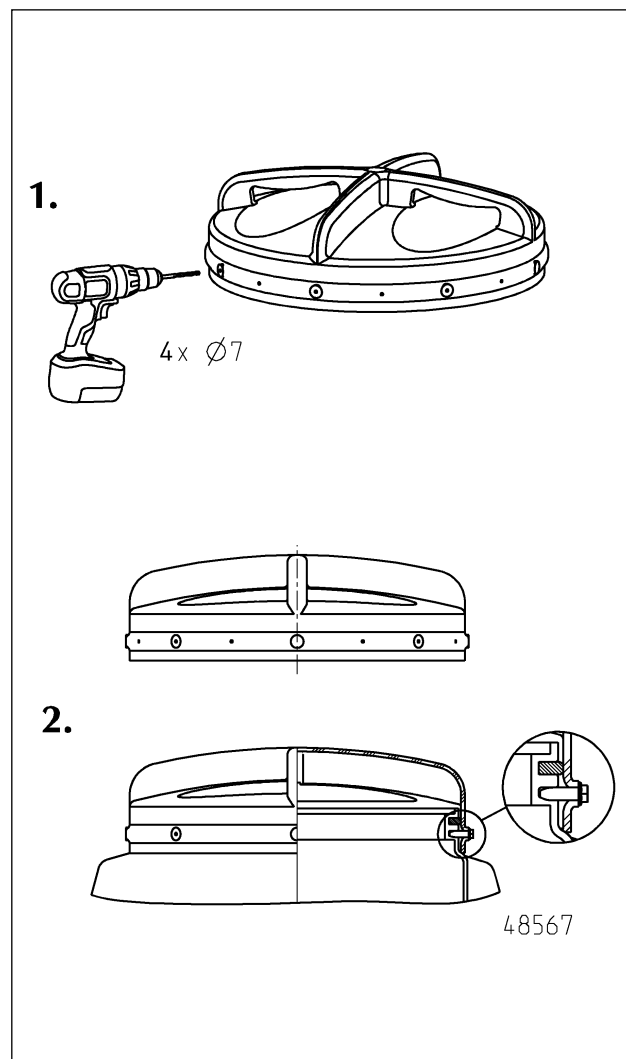
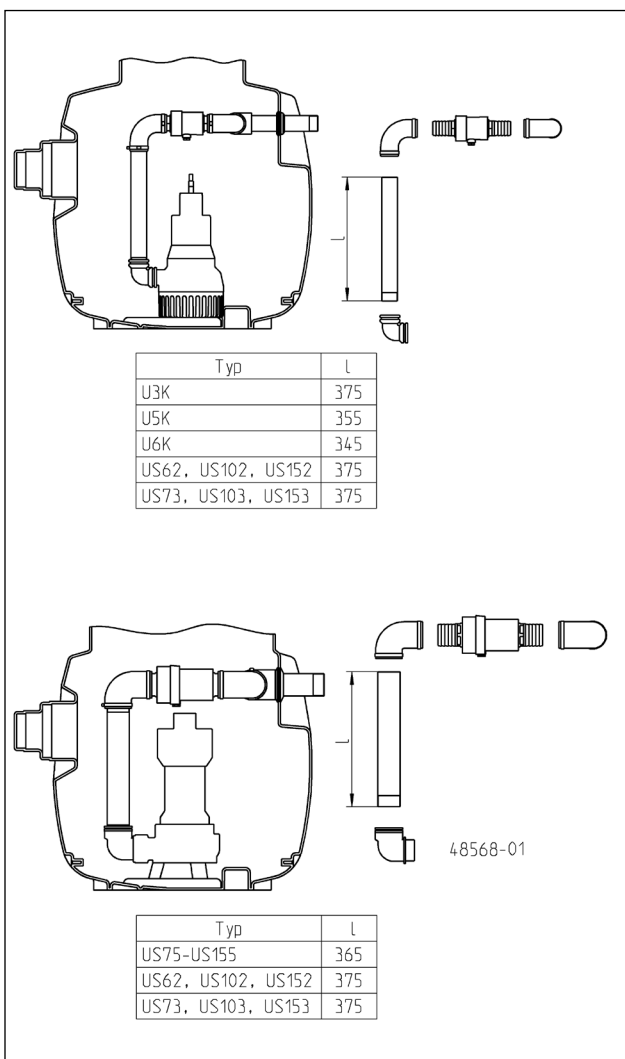


Hebefix 200-32



Hebefix 200-50





You have purchased a product made by Pentair Jung Pumpen and with it, therefore, also excellent quality and service. Secure this service by carrying out the installation works in accordance with the instructions, so that our product can perform its task to your complete satisfaction. Please remember that damage caused by incorrect installation or handling will adversely affect the guarantee. Therefore please adhere to the instructions in this manual!

This appliance can be used by children aged 8 years or over and by persons with limited physical, sensory or intellectual capabilities, or with limited experience and knowledge, provided that they are supervised or have been instructed in the safe use of the appliance and are aware of the dangers involved. Children must not be allowed to play with the appliance. Cleaning and user maintenance must not be carried out by children unless they are supervised.

Damage prevention in case of failure

Like any other electrical device, this product may fail due to a lack of mains voltage or a technical defect.

If damage (including consequential damage) can occur as a result of product failure, the following precautions can be taken at your discretion:

- Installation of a water level dependent (under circumstances, mains-independent) alarm system, so that the alarm can be heard before damage occurs.
- Inspection of the collecting tank/chamber for tightness up to the top edge before – or at the latest, during – installation or operation of the product.
- Installation of backflow protection for drainage units that can be damaged by wastewater leakage upon product failure.
- Installation of a further product that can compensate in case of failure of the other product (e.g. duplex unit).
- Installation of an emergency power generator.

As these precautions serve to prevent or minimise consequential damage upon product failure, they are to be strictly observed as the manufacturer's guideline – in line with the standard DIN EN specifications as state of the art – when using the product (Higher Regional Court Frankfurt/Main, Ref.: 2 U 205/11, 06/15/2012).

SAFETY INSTRUCTIONS

This instruction manual contains essential information that must be observed during installation, operation and servicing. It is therefore important that the installer and the responsible technician/operator read this instruction manual before the equipment is installed and put into operation. The manual must always be available at the location where the pump or the plant is installed.

Failure to observe the safety instructions can lead to the loss of all indemnity.

In this instruction manual, safety information is distinctly labelled with particular symbols. Disregarding this information can be dangerous.



General danger to people



Warning of electrical voltage

NOTICE! Danger to equipment and operation

Qualification and training of personnel

All personnel involved with the operation, servicing, inspection and installation of the equipment must be suitably qualified for this work and must have studied the instruction manual in depth to ensure that they are sufficiently conversant with its contents. The supervision, competence and areas of responsibility of the personnel must be precisely regulated by the operator. If the personnel do not have the necessary skills, they must be instructed and trained accordingly.

Safety-conscious working

The safety instructions in this instruction manual, the existing national regulations regarding accident prevention, and any internal working, operating and safety regulations must be adhered to.

Safety instructions for the operator/user

All legal regulations, local directives and safety regulations must be adhered to.

The possibility of danger due to electrical energy must be prevented.

Leakages of dangerous (e.g. explosive, toxic, hot) substances must be discharged such that no danger to people or the environment occurs. Legal regulations must be observed.

Safety instructions for installation, inspection and maintenance works

As a basic principle, works may only be carried out to the equipment when it is shut down. Pumps or plant that convey harmful substances must be decontaminated.

All safety and protection components must be re-fitted and/or made operational immediately after the works have been completed. Their effectiveness must be checked before restarting, taking into account the current regulations and stipulations.

Unauthorised modifications, manufacture of spare parts

The equipment may only be modified or altered in agreement with the manufacturer. The use of original spare parts and accessories approved by the manufacturer is important for safety reasons. The use of other parts can result in liability for consequential damage being rescinded.

Unauthorised operating methods

The operational safety of the supplied equipment is only guaranteed if the equipment is used for its intended purpose. The limiting values given in the "Technical Data" section may not be exceeded under any circumstances.

Instructions regarding accident prevention

Before commencing servicing or maintenance works, cordon off the working area and check that the lifting gear is in perfect condition.

Never work alone. Always wear a hard hat, safety glasses and safety shoes and, if necessary, a suitable safety belt.

Before carrying out welding works or using electrical devices, check to ensure there is no danger of explosion.

People working in wastewater systems must be vaccinated against the pathogens that may be found there. For the sake of your health, be sure to pay meticulous attention to cleanliness wherever you are working.

Make sure that there are no toxic gases in the working area.

Observe the health and safety at work regulations and make

sure that a first-aid kit is to hand.

In some cases, the pump and the pumping medium may be hot and could cause burns.

For installations in areas subject to explosion hazards, special regulations apply!

USE

The tank Hebefix 200 is a conventional effluent collecting tank in conjunction with separately ordered pumps.

The screwed cover is smell-tight. Depending on the power requirement, various pump types can be installed:

Hebefix 200-32: U3K, U5K, U6K, US 62, US 73, US 102, US 103, US 73 Ex oder US 103 Ex

Hebefix 200-50: US 62, US 73, US 75, US 102, US 103, US 105, US 155, US 73 Ex or US 103 Ex.

The second pump is a reserve pump, according to EN 12056. One pump must be able to cope with the maximum inflow on its own.

NOTICE! In some countries it must not be used for pumping sewage water from lavatories.

The allowed temperature of the pumped medium is 35 °C, short time period 60°C.

The tank has two inlet connections DN 100/150 at the side at 90° to each other, a DN 100 inlet connection, a threaded connection (1 1/4" or 2") for the pressure pipe, and a DN 70 ventilation connection.

Extent of delivery

Hebefix floor-mounted tank with cover, in-tank pressure pipe, swing-type check valves, closing plug for cable inlet, 4 hose connectors, 8 hose clips, PP pipe, cover seal, buoyancy control.

Electrical Connection

Please refer to the relevant instructions in the manual for the pump.

MOUNTING

The pressure pipe must be taken in a loop over the local back-pressure level and secured with a reflux valve (EN 12056). The reflux valves are supplied with the Hebefix 200.

Installing the tank

1. Saw open and deburr the inlet connections at the marked place (cap). Connect the inlet pipe and ventilation pipe with a HT pipe socket component (to be supplied by the user).
2. Connect up the pressure pipe. **Notice!** During sealing and screwing operations, the pressure pipe in the tank must not be allowed to twist. Use pliers, if necessary, to prevent it from turning.
3. After the necessary pipes have been connected to the tank, install the buoyancy protection (see illustration).

Mounting the pumps

1. Cut the pressure pipes to size (see illustration).

2. Connect the pressure pipes to the pumps with the bends and hose connectors. Seal and screw tight.
3. Place the pumps into the tank and use the hose connectors to make the pipe, check valve and T piece connections. Tighten the clamps.
4. Pull the cables up to the T-piece through the vent pipe. Enough cable has to be in the tank to allow the pumps to be pulled out of the tank for servicing. The T-piece can then be sealed with the slotted plug.

Installation with a single pump

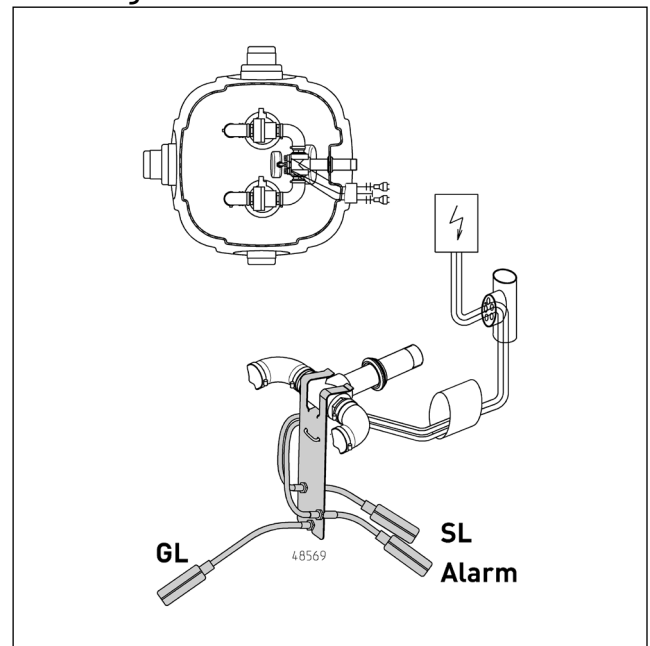
If the Hebefix is to be fitted initially with just one pump, we recommend using the pump model fitted with a float switch.

The single pump must be positioned in the tank with the float pointing towards the centre of the tank.

Remove the hose connector from the free branch of the T-piece and replace the connector with the blind plug included in the package.

NOTICE! The mains plug need not be cut off when you feed it up through the ventilation pipe.

Installing the float switch set



GL-Base load | Alarm | SL-Peak load

NOTICE! Do not alter the length of the cables that run from the float switch to the retaining plate. The lengths have already been adjusted.

Push the ready-to-install float switch set onto the centre of the T-piece. Secure the pump cables and float switch cables adequately in the tank, so that the float switches can float up unhindered. Feed the float switch cables up through the ventilation pipe (in the same way as the pump cables) to the T-piece provided by the customer, then through the closing plug to the control unit, ensuring that the seal is odour-tight.

Installing the cover

1. Drill four holes into the cover.
2. Grease the seal and lay it in the upper groove.
3. Place the cover on top and screw into place.

Accessory alarm device (only single unit)

The alarm device signals an excessive high water level. It can be installed subsequently. The float switch is fixed to the pump handle (see the drawing at the front). The cable is pulled through the vent pipe and sealed in the same way as the pump cable. The alarm unit should be connected to a separate electric circuit, to ensure the operation in case of a pump fault. Alternatively it can be equipped with our 9V-rechargeable battery for off the line operation.

Accessory special ventilation

If the ventilation over the roof level is not possible, alternatively the special ventilation consisting of a ventilation screen and 3 activated carbon filters can be installed above the T-piece for the cable in the ventilation pipe. An assembly instruction accompanies the special ventilation.

MAINTENANCE

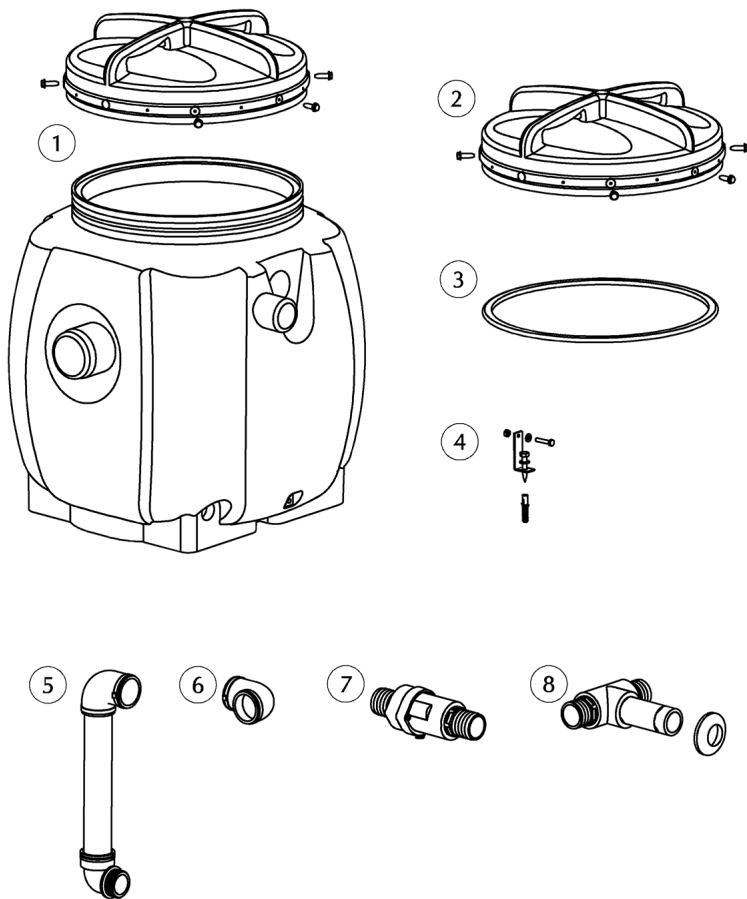
The tank, the float switches and the foot strainer of the pump should be inspected regularly and cleaned if necessary.

To service the pump, please refer to the separate operating instruction.



HEBEFIX 200-32 (JP48188) • HEBEFIX 200-50 (JP48189)

Spare parts



①	Behälter m. Deckel	Tank with cover	
	Hebefix 200-32		JP48709
	Hebefix 200-50		JP48710
②	Deckel	Cover	JP48713
③	Dichtung	Sealing	JP48719
④	Auftriebssicherung	Bouancy protection	JP48720
⑤	Druckleitung	Pressure pipe	
	Hebefix 200-32		JP48739
	Hebefix 200-50		JP48717
⑥	Gummi-Winkel	Rubber elbow	
	Hebefix 200-32		JP48460
	Hebefix 200-50		JP48461
⑦	Rückschlagklappe	Reflux valve	
	Hebefix 200-32		JP48716
	Hebefix 200-50		JP48718
⑧	Anschlusssset	Connection set	
	Hebefix 200-32		JP48721
	Hebefix 200-50		JP48722



**PUMP TECHNICAL
SERVICES LIMITED**

