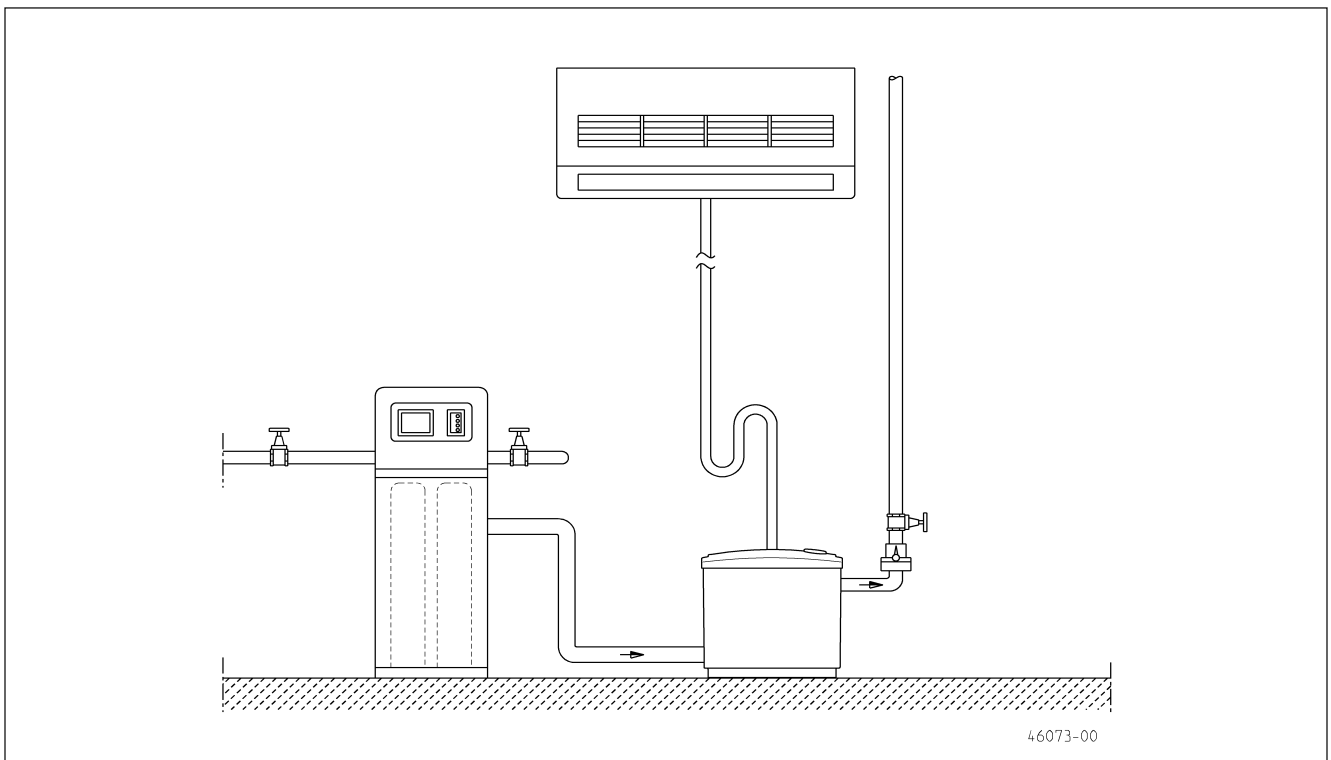
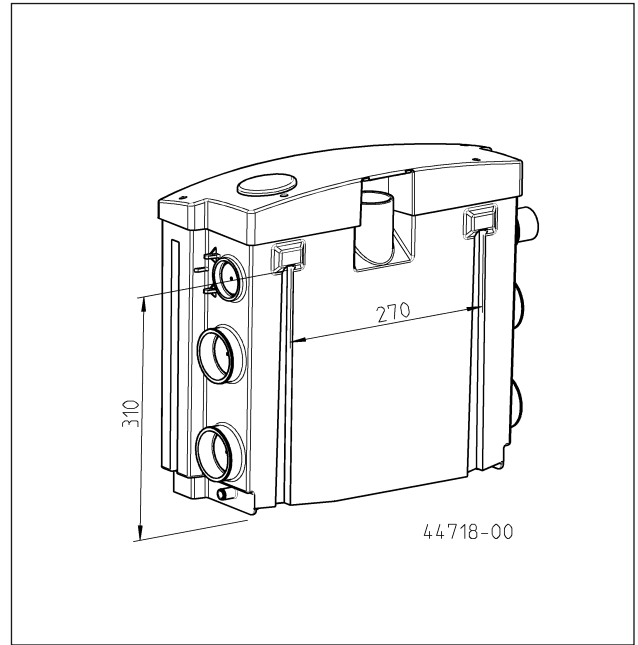
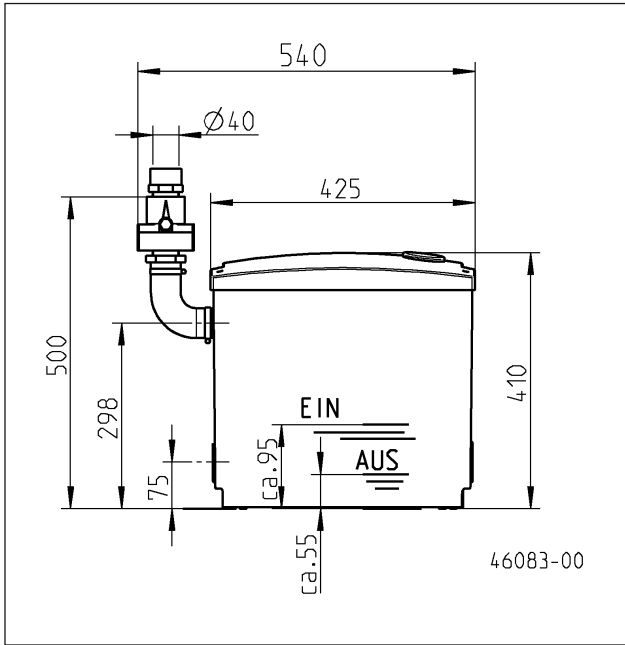




HEBEFIX EXTRA

EN Instruction Manual





You have purchased a product made by Pentair Jung Pumpen and with it, therefore, also excellent quality and service. Secure this service by carrying out the installation works in accordance with the instructions, so that our product can perform its task to your complete satisfaction. Please remember that damage caused by incorrect installation or handling will adversely affect the guarantee. Therefore please adhere to the instructions in this manual!

This appliance can be used by children aged 8 years or over and by persons with limited physical, sensory or intellectual capabilities, or with limited experience and knowledge, provided that they are supervised or have been instructed in the safe use of the appliance and are aware of the dangers involved. Children must not be allowed to play with the appliance. Cleaning and user maintenance must not be carried out by children unless they are supervised.

Damage prevention in case of failure

Like any other electrical device, this product may fail due to a lack of mains voltage or a technical defect.

If damage (including consequential damage) can occur as a result of product failure, the following precautions can be taken at your discretion:

- Installation of a water level dependent (under circumstances, mains-independent) alarm system, so that the alarm can be heard before damage occurs.
- Inspection of the collecting tank/chamber for tightness up to the top edge before – or at the latest, during – installation or operation of the product.
- Installation of backflow protection for drainage units that can be damaged by wastewater leakage upon product failure.
- Installation of a further product that can compensate in case of failure of the other product (e.g. duplex unit).
- Installation of an emergency power generator.

As these precautions serve to prevent or minimise consequential damage upon product failure, they are to be strictly observed as the manufacturer's guideline – in line with the standard DIN EN specifications as state of the art – when using the product (Higher Regional Court Frankfurt/Main, Ref.: 2 U 205/11, 06/15/2012).

SAFETY INSTRUCTIONS

This instruction manual contains essential information that must be observed during installation, operation and servicing. It is therefore important that the installer and the responsible technician/operator read this instruction manual before the equipment is installed and put into operation. The manual must always be available at the location where the pump or the plant is installed.

Failure to observe the safety instructions can lead to the loss of all indemnity.

In this instruction manual, safety information is distinctly labelled with particular symbols. Disregarding this information can be dangerous.



General danger to people



Warning of electrical voltage

NOTICE! Danger to equipment and operation

Qualification and training of personnel

All personnel involved with the operation, servicing, inspection and installation of the equipment must be suitably qualified for this work and must have studied the instruction manual in depth to ensure that they are sufficiently conversant with its contents. The supervision, competence and areas of responsibility of the personnel must be precisely regulated by the operator. If the personnel do not have the necessary skills, they must be instructed and trained accordingly.

Safety-conscious working

The safety instructions in this instruction manual, the existing national regulations regarding accident prevention, and any internal working, operating and safety regulations must be adhered to.

Safety instructions for the operator/user

All legal regulations, local directives and safety regulations must be adhered to.

The possibility of danger due to electrical energy must be prevented.

Leakages of dangerous (e.g. explosive, toxic, hot) substances must be discharged such that no danger to people or the environment occurs. Legal regulations must be observed.

Safety instructions for installation, inspection and maintenance works

As a basic principle, works may only be carried out to the equipment when it is shut down. Pumps or plant that convey harmful substances must be decontaminated.

All safety and protection components must be re-fitted and/or made operational immediately after the works have been completed. Their effectiveness must be checked before restarting, taking into account the current regulations and stipulations.

Unauthorised modifications, manufacture of spare parts

The equipment may only be modified or altered in agreement with the manufacturer. The use of original spare parts and accessories approved by the manufacturer is important for safety reasons. The use of other parts can result in liability for consequential damage being rescinded.

Unauthorised operating methods

The operational safety of the supplied equipment is only guaranteed if the equipment is used for its intended purpose. The limiting values given in the "Technical Data" section may not be exceeded under any circumstances.

Instructions regarding accident prevention

Before commencing servicing or maintenance works, cordon off the working area and check that the lifting gear is in perfect condition.

Never work alone. Always wear a hard hat, safety glasses and safety shoes and, if necessary, a suitable safety belt.

Before carrying out welding works or using electrical devices, check to ensure there is no danger of explosion.

People working in wastewater systems must be vaccinated against the pathogens that may be found there. For the sake of your health, be sure to pay meticulous Notice to cleanliness wherever you are working.

Make sure that there are no toxic gases in the working area. Observe the health and safety at work regulations and make sure that a first-aid kit is to hand.

In some cases, the pump and the pumping medium may be hot and could cause burns.

For installations in areas subject to explosion hazards, special regulations apply!

APPLICATION

The lifting unit HEBEFIX EXTRA is an easy to install unit for the disposal of aggressive media.

The versatile connecting options allow the direct discharge link to softener or condensing boilers, to remove the brine or the condensate.

The HEBEFIX EXTRA has four connection pieces marked at the side and one connection piece marked at the top which can be used for attaching pipes with an outer diameter of 50 mm (40 mm at the top) using plug-in seals.

NOTICE! The HEBEFIX EXTRA must not be used to dispose of sewage from toilets and urinals.

When using the pump, the relevant national laws as well as national and local regulations must be complied with, for example:

- Domestic contaminated water and wastewater (e.g. EN 12056 in Europe)
- Installation of low voltage systems (e.g. VDE 0100 in Germany)

Temperatures

The media pumped must have a temperature of not more than 35°C (95°F).

The Hebefix plus is frost-resistant down to -20°C when stored in dry conditions. When installed, however, the residual water in the system must not be allowed to freeze.

EMC

If installed in compliance with the regulations and used properly, then this appliance meets the protective requirements of the EMC directive 2014/30/EU and is suitable for domestic use and connection to a power supply from the grid.

Scope of supply

HEBEFIX EXTRA, 1¼" swing-type check valve, instruction manual, accessories bag with elbow, 2 reducing adapters, 2 hose clamps, 4 plug-in seals, 2 rawlplugs, 2 screw hooks, a sealing plug and an active carbon filter.

ELECTRICAL CONNECTION

WARNING!

The HEBEFIX PLUS must only be connected to sockets that have been installed properly in accordance with the regulations and are protected with at least 10 A (slow) and FI-safety switches (30mA).

NOTICE! Only qualified electricians may carry out electrical works to the pump or the control units.

The relevant standards (such as EN standards), country-specific regulations (such as VDE in Germany), and the regulations of the local power supply companies must be observed.

NOTICE! Never put the mains plug in water! If water gets into the plug, this can cause malfunctions and damage.

Observe the operating voltage (see type plate)!

Use the plug unit only in well-ventilated rooms which are protected from splash water and flooding. No additional motor protection is required, since the system has an integrated winding thermostat.

NOTICE! The plug must be easily accessible even when mounted in a system duct.

Unacceptably high temperatures cause the thermostat to shut down the motor.

WARNING!

After the thermostat has switched off the system, pull out the mains plug before remedying the fault, since the appliance can switch itself on again automatically if the power is still connected!

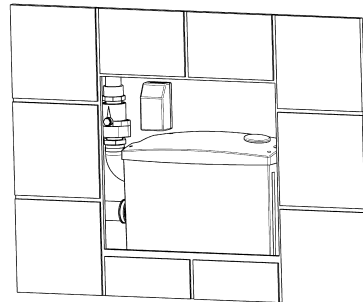
The control unit

HEBEFIX EXTRA has a level controller that switches the pump on and off depending on the level of the water.

If HEBEFIX EXTRA runs but does not reach the switch-off point within approx. 50 ± 5 seconds, then the alarm will sound. A loud alarm tone sounds but the pump carries on running.

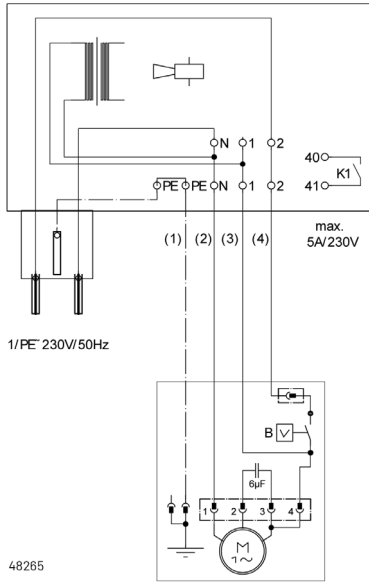
The alarm persists as a permanent alarm, the potential free alarm contact K1 (40/41) is closed and can be used for remote alarm transmission.

Disconnecting the mains plug acknowledges the alarm warning or switches the unit off in the event of a fault. The inspection opening must be removed to access the mains plug.



44743-00

Circuit diagram



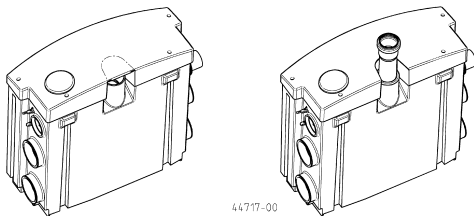
B = float switch, colour of wires:
 (1) = green/yellow, (2) = brown, (3) = grey, (4) = black

INSTALLATION

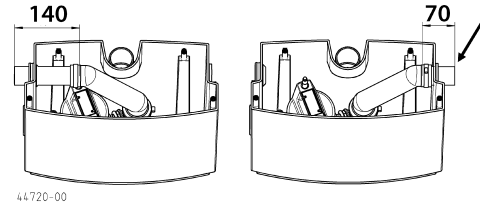
The HEBEFIX EXTRA can be mounted in a system duct or can be used inside a room.

- If it is installed beneath the backup level the pressure pipe must be taken in a loop over the local backup level according to EN 12056.
- Each drainage outlet (sink, dishwasher) must be fitted with an odour seal (siphon trap) in compliance with EN 12056-2.
- In addition, an approved swing-type check valve must be fitted in compliance with EN 12050-4. This valve is supplied with HEBEFIX EXTRA.

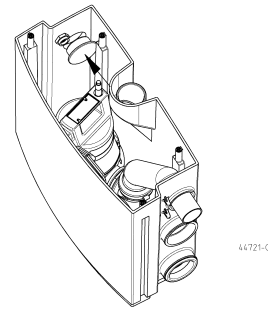
The tank has in-let connections at the side with a nominal diameter of 50. An inlet with an external diameter of 40 mm can be fitted inside the lid. The inATTENTIEening merely requires to be cut out at the position marked.



Instructions for the pressure pipe

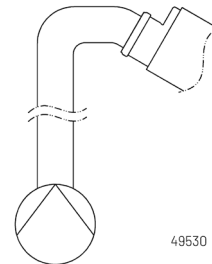


The pressure pipe is supplied ready mounted on the left-hand side. If the pressure pipe is required on the right-hand side, the section of pipe must be shortened by approx. 70 mm. If a ventilation pipe is not connected when the HEBEFIX EXTRA is connected directly, the left-hand side must be sealed from the inside with the sealing plug.



The on-site pressure pipe is connected to the HEBEFIX EXTRA discharge branch with the arched discharge elbow. The maximum capacity specified by the manufacturer (see Technical data) must not be exceeded. Any deviations from this will impair the pumping performance.

The pressure pipe must be laid without a gradient. If a gradient to the hand-over point is unavoidable, however, then a wider pipe with larger dimensions must be fitted after the highest point. This avoids a siphon which could result in malfunctions.

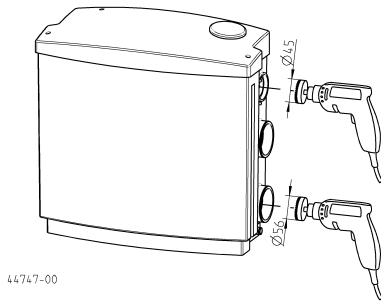


Instructions for tank ventilation

Tank ventilation is essential for the proper functioning of the system. Before use, the protective foil on the small active carbon filter must be removed and the ventilation inserted inside the lid.

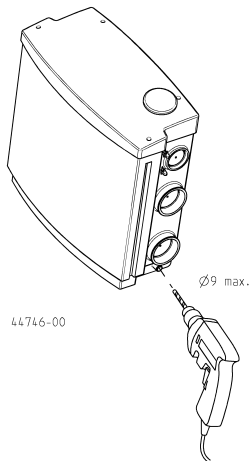
MOUNTING

Open the required connecting branch with a \varnothing 45 mm / \varnothing 56 mm keyhole saw and remove the burr. Following insert the enclosed plug-in seal in the open socket.



NOTICE! The cut out disc from the outlet openings must not be left in the tank.

Note. To discharge the accumulated wastewater in the tank easily in an emergency, a piece of garden hose can be attached to the lower right-hand side of the tank. To do so, drill out the $\varnothing 13$ pipe connection at the bottom of the tank with a twist drill (max. $\varnothing 9$). Push the hose up and secure it with a hose clamp (tightening torque 1.5 Nm). Ensure that the discharge opening of the hose is securely closed. The end of the hose can then be clamped in the ribs at the top of the tank.



The last step is to fit the discharge elbow between the pressure pipe and the pressure outlet of the system using hose clamps.

NOTICE! All clamped connections must fit tightly.

The Hebefix plus must be secured by the user against buoyancy and twisting, for instance by attaching two metal brackets to the wall. The place of installation must be protected against flooding.

MAINTENANCE



WARNING!

Disconnect the mains plug unit before performing any work on the HEBEFIX PLUS!

When used correctly, the Hebefix plus requires little maintenance. However, the appliance should be inspected at least once a year to ensure that all connections are tight and do not leak and to remove any deposits which may have accumulated in the tank.

If an active carbon filter is used, we recommend that this is replaced once a year. The filter should be replaced immediately if odours occur.

Removal of obstructions after alarm is set off

First of all check the pump by briefly plugging it to the mains power supply. If the pump does not operate in the normal way, remove the pump for cleaning.

Before dismantling the pump, drain the backflow of water in both the unit to be drained and the lifting station itself. If a hose to allow emergency drainage was fitted to the tank during the installation work, it will be easy to drain the accumulated water into a shallow vessel and then reseal the hose.

During the remaining work, only the pump will be removed and the tank can remain in the wall.

Loosen the four screws in the lid without removing them, and lift the lid off. The lid can now be put aside together with the plug unit.

Loosen the wing bolt on the hose clamp on the discharge branch. The flexible discharge elbow can now be detached from the pressure pipe. Grip the pump by the handle and carefully take it out of the tank. Ensure that the float switch does not detach itself from the retaining brackets on the inside wall of the tank.

Remove any foreign matter from the tank and the pump and clean the components.

Assemble the system again carefully in reverse order. To do so, insert two feet of the pump into the holding fixtures in the tank floor and carefully place the float lever in the float switch bracket. Test whether this is firmly secured in place by turning the pump handle gently from side to side. Place the flexible discharge elbow onto the discharge branch as far as it will go and tighten the wing bolts of the hose clamp by hand. Check that these components work by moving the float switch up and down by hand. Press the lid down onto the tank and hand tighten the screws in the brackets in a crosswise order. To prevent a collision between the cable and the movable parts in the tank, draw the cable out of the tank as far as possible and securely tighten the cable gland.

TECHNICAL DATA

Weight 6.2 kg
 Pressure branch DN 32
 Motor power P1 300 W
 Motor power P2 200 W
 Voltage 1/N/PEx230 V
 Frequency 50 Hz
 Rated current 1.2 A
 Type of enclosure Plug unit IP 20
 Control voltage for alarm circuit 12 V DC (SELV)
 UK: Fuse in the plug = 13 A

Performance

H [m]	1	2	3	4	5	6
Q [m ³ /h]	6,5	5,5	5,0	4,0	3,0	1,5

EU-Konformitätserklärung
EU-Prohlášení o shodě
EU-Overensstemmelseserklæring
EU-Declaration of Conformity
EU-Vaatumustenmukaisuusvakuutus

EU-Déclaration de Conformité
EU-Megfelelőségi nyilatkozat
EU-Dichiarazione di conformità
EU-Conformiteitsverklaring
EU-Deklaracja zgodności

EU-Declaratiþe de conformitate
EU-Vyhlášení o zhode
EU-Försäkran om överensstämmelse

DE - Richtlinien - Harmonisierte Normen
CS - Směrnice - Harmonizované normy
DA - Direktiv - Harmoniseret standard
EN - Directives - Harmonised standards
FI - Direktiivi - Yhdenmukaistettu standardi

FR - Directives - Normes harmonisées
HU - Irányelve - Harmonizált szabványok
IT - Direttive - Norme armonizzate
NL - Richtlijnen - Geharmoniseerde normen
PL - Dyrektywy - Normy zharmonizowane

RO - Directivă - Norme coroborate
SK - Smernice - Harmonizované normy
SV - Direktiv - Harmoniserade normer

• 2006/42/EG (MD)
• 2011/65/EU (RoHS)
• 2014/30/EU (EMC)

EN 809:1998/AC:2010, EN ISO 12100:2010, EN 60335-1:2012/A11:2014

EN 55014-1:2006/A2:2011, EN 55014-2:1997/A2:2008, EN 61000-3-2:2014, EN 61000-3-3:2013

JUNG PUMPEN GmbH - Industriestr. 4-6 - 33803 Steinhagen - Germany - www.jung-pumpen.de

DE - Wir erklären in alleiniger Verantwortung, dass das Produkt den aufgeführten Richtlinien entspricht.

CS - Prohlašujeme na svou výlučnou odpovědnost, že výrobek odpovídá jmenovaným směrnicím.

DA - Vi erklærer under ansvar at produktet i overensstemmelse med de retningslinjer

EN - We hereby declare, under our sole responsibility, that the product is in accordance with the specified Directives.

FI - Me vakuutamme omalla vastuullamme, että tuote täyttää ohjeita.

FR - Nous déclarons sous notre propre responsabilité que le produit répond aux directives.

HU - Kizárólagos felelősségünk tudatában kijelentjük, hogy ez a termék megfelel az Európai Unió fentnevezett irányelveinek.

IT - Noi dichiariamo sotto la nostra esclusiva responsabilità che il prodotto è conforme alle direttive citate

NL - Wij verklaren geheel onder eigen verantwoordelijkheid dat het product voldoet aan de gestelde richtlijnen.

PL - Z pełną odpowiedzialnością oświadczamy, że produkt odpowiada postanowieniom wymienionych dyrektyw.

RO - Declaram pe proprie răspundere că produsul corespunde normelor prevăzute de directivele mai sus menționate.

SV - Vi försäkrar att produkten på vårt ansvar är utförd enligt gällande riktlinjer.

SK - Na výlučnú zodpovednosť vyhlasujeme, že výrobok spĺňa požiadavky uvedených smerníc.

Hebefix Plus (JP44544)

Hebefix Plus UK (JP48428)

Hebefix Mini (JP48727)

Hebefix Extra (JP45757)

Hebefix Extra UK (JP48429)

DE - Weitere normative Dokumente CS - Jinými normativními dokumenty DA - Andre normative dokumenter EN - Other normative documents FI - Muiden normien FR - Autres documents normatifs HU - Egyéb szabályozó dokumentumokban leírtaknak IT - Altri documenti normativi NL - Verdere normative documenten PL - Innymi dokumentami normatywnymi RO - Alte acte normative SK - Iným záväzným dokumentom SV - Vidare normerande dokument:

EN 60335-2-41:2003/A2:2010

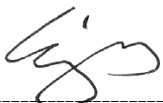
EN 62233:2008/AC2008


BS 1363-1 (Hebefix Plus UK, Hebefix Extra UK)


DE - Bevollmächtigter für technische Dokumentation CS - Oprávněná osoba pro technickou dokumentaci DA - Autoriseret person for teknisk dokumentation EN - Authorized person for technical documentation FI - Valtutettu henkilö tekninen dokumentaatio FR - Personne autorisée à la documentation technique HU - Hivatalos személyi műszaki dokumentáció IT - Persona abilitata per la documentazione tecnica NL - Bevoegd persoon voor technische documentatie PL - Pełnomocnik ds. dokumentacji technicznej RO - Persoană autorizată pentru documentație tehnică SK - Oprávněná osoba pre technickú dokumentáciu SV - Auktoriserad person för teknisk dokumentation:

JUNG PUMPEN - Stefan Sirges - Industriestr. 4-6 - 33803 Steinhagen


Steinhagen, 20-08-2018


 Stefan Sirges, General Manager


 i.V. Rüdiger Rokohl, Sales Manager

 0197	
JUNG PUMPEN GmbH - Industriestr. 4-6 33803 Steinhagen, Germany 13 460.14.1701	
EN 12050-2:2001 Abwasserhebeanlage für fäkalienfreies Abwasser DN 32	
HEBEFIX EXTRA (JP44544) HEBEFIX EXTRA (JP45757) HEBEFIX EXTRA UK (JP48428) HEBEFIX EXTRA UK (JP48429)	
Sammeln und automatisches Heben von fäkalienfreiem Abwasser innerhalb und außerhalb von Gebäuden über die Rückstauenebene	

BRANDVERHALTEN	NPD
WASSERDICHTHEIT	Bestanden
WIRKSAMKEIT (HEBEWIRKUNG)	
- Förderung von Feststoffen	Bestanden
- Rohranschlüsse	Bestanden
- Mindestmaße von Lüftungsleitungen	Bestanden
- Mindestfließgeschwindigkeit	Bestanden
- Freier Mindestdurchgang der Anlage	Bestanden
- Mindestnutzvolumen	Bestanden
MECHANISCHE FESTIGKEIT	
- Tragfähigkeit und strukturelle Stabilität des Sammelbehälters für die Verwendung außerhalb von Gebäuden	NPD
- Strukturelle Stabilität des Sammelbehälters für die Verwendung innerhalb von Gebäuden	Bestanden
GERÄUSCHPEGEL	70 dB(A)
DAUERHAFTIGKEIT	
- der Wasserdichtheit und Luftdichtheit	Bestanden
- der Hebewirkung	Bestanden
- der mechanischen Festigkeit	Bestanden
GEFÄHRLICHE SUBSTANZEN	NPD

 0197	
JUNG PUMPEN GmbH - Industriestr. 4-6 33803 Steinhagen, Germany 13 460.14.1701	
EN 12050-2:2001 Lifting plant for faecal-free wastewater DN 32	
HEBEFIX EXTRA (JP44544) HEBEFIX EXTRA (JP45757) HEBEFIX EXTRA UK (JP48428) HEBEFIX EXTRA UK (JP48429)	
Collecting and automatically lifting faecal-free waste water above the backflow level in buildings and sites	

REACTION TO FIRE	NPD
WATERTIGHTNESS	Pass
EFFECTIVENESS (LIFTING EFFECTIVENESS)	
- Pumping of solids	Pass
- Pipe connections	Pass
- Ventilation	Pass
- Minimum flow velocity	Pass
- Minimum free passage of the plant	Pass
- Minimum useful volume	Pass
MECHANICAL RESISTANCE	
- Load bearing capacity and structural stability of collection tank for use outside buildings	NPD
- Structural stability of collection tank for use inside buildings	Pass
NOISE LEVEL	70 dB(A)
DURABILITY	
- of structural stability	Pass
- of lifting effectiveness	Pass
- of mechanical resistance	Pass
DANGEROUS SUBSTANCES	NPD



JUNG PUMPEN GmbH - Industriestr. 4-6 33803 Steinhagen,
Germany
13
460.14.1701

EN 12050-2:2001
Station de relevage pour effluents exempts de matières fécales
DN 32

HEBEFIX EXTRA (JP44544)
HEBEFIX EXTRA (JP45757)
HEBEFIX EXTRA UK (JP48428)
HEBEFIX EXTRA UK (JP48429)

Collecte et relevage des eaux usées exemptes de matières fécales à l'intérieur et à l'extérieur des bâtiments au-dessus du niveau de refoulement

RÉACTION AU FEU	NPD
ÉTANCHÉITÉ À L'EAU	satisfaisant
EFFICACITÉ (PERFORMANCE DE RELEVAGE) - Refoulement de matières solides - Raccords de tuyaux - Aération - Débit minimum - Passage libre minimal de l'installation - Volume utile minimal	satisfaisant satisfaisant satisfaisant satisfaisant satisfaisant satisfaisant
RÉSISTANCE MÉCANIQUE - Capacité de charge et stabilité structurelle du collecteur pour une utilisation à l'extérieur des bâtiments - Stabilité structurelle du collecteur pour une utilisation à l'intérieur des bâtiments	NPD satisfaisant
NIVEAU SONORE	70 dB(A)
RÉSISTANCE - de la stabilité structurelle - de la performance de relevage - de la résistance mécanique	satisfaisant satisfaisant satisfaisant
SUBSTANCES DANGEREUSES	NPD



JUNG PUMPEN GmbH - Industriestr. 4-6 33803 Steinhagen,
Germany
13
460.14.1701

EN 12050-2:2001
Afvalwaterpompinstallatie voor afvalwater zonder fecaliën DN
32

HEBEFIX EXTRA (JP44544)
HEBEFIX EXTRA (JP45757)
HEBEFIX EXTRA UK (JP48428)
HEBEFIX EXTRA UK (JP48429)

Verzamelen en automatisch pompen van afvalwater zonder fecaliën binnen en buiten gebouwen boven het terugstuwniveau

BRANDGEDRAG	NPD
WATERDICHTHEID	succesvol
RENDEMENT (POMPWERKING) - Transport van vaste stoffen - Buisaansluitingen - Verluchttingsleidingen - Minimum doorstromingssnelheid - Minimum vrije doorgang van de installatie - Minimum nuttig volume	succesvol succesvol succesvol succesvol succesvol succesvol
MECHANISCHE VASTHEID - Draagkracht en structurele stabiliteit van de verzamelcontainer voor het gebruik buiten gebouwen - Structurele stabiliteit van de verzamelcontainer voor het gebruik binnenin gebouwen	NPD succesvol
GELUIDSNIVEAU	70 dB(A)
DUURZAAMHEID - van de structurele stabiliteit - van de pompwerking - van de mechanische vastheid	succesvol succesvol succesvol
GEVAARLIJKE STOFFEN	NPD



0197

JUNG PUMPEN GmbH - Industriestr. 4-6 33803 Steinhagen,
Germany
13
460.14.1701

EN 12050-2:2001
Stazione di sollevamento per acque di scarico prive di sostanze
fecali DN 32

HEBEFIX EXTRA(JP44544)

HEBEFIX EXTRA(JP45757)

HEBEFIX EXTRA UK(JP48428)

HEBEFIX EXTRA UK(JP48429)

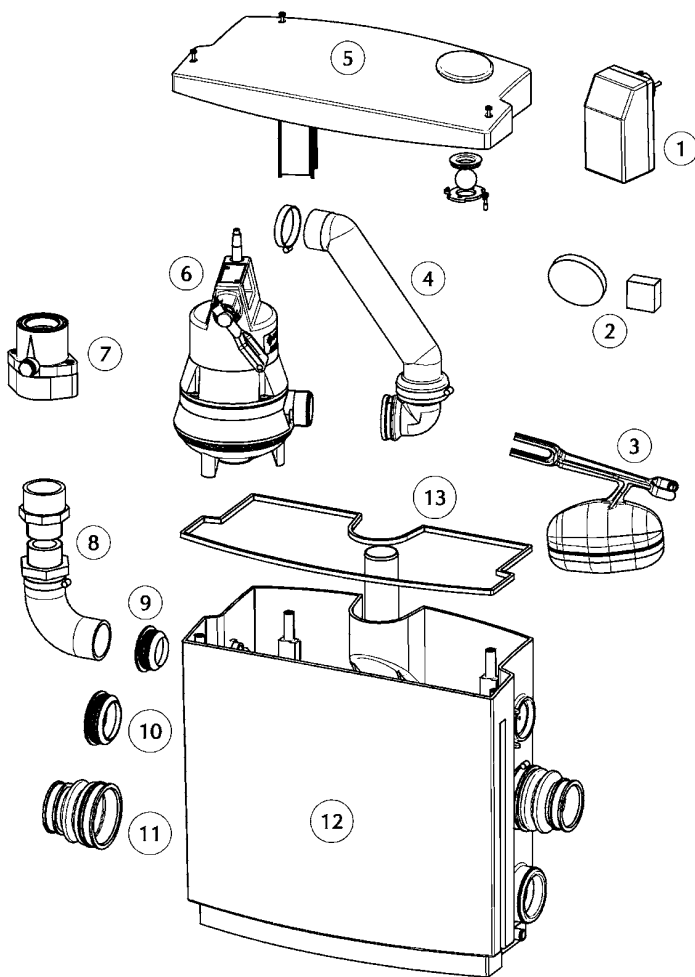
Raccolta e sollevamento automatico di acque reflue prive di
sostanze fecali all'interno o all'esterno di edifici sopra il livello di
ristagno

INFIAMMABILITÀ	NPD
IMPERMEABILITÀ	Superata
EFFICACIA (CAPACITÀ DI SOLLEVAMENTO) - Pompaggio di materiali solidi - Collegamenti al tubo - Ventilazione - Velocità di scorrimento minima - Passaggio libero minimo dell'impianto - Volume utile minimo	Superata Superata Superata Superata Superata Superata
RESISTENZA MECCANICA - Capacità di carico e stabilità strutturale del serbatoio di raccolta per l'uso al di fuori degli edifici - Stabilità strutturale del serbatoio di raccolta per l'uso all'interno degli edifici.	NPD Superata
SOGLIA DI RUMOROSITÀ	70 dB(A)
DUREVOLEZZA - della stabilità strutturale - della capacità di sollevamento - della resistenza meccanica	Superata Superata Superata
SOSTANZE PERICOLOSE	NPD



HEBEFIX PLUS (JP48428) • HEBEFIX EXTRA (JP48429)

Spare parts



①	Steuerung	Control unit	JP45091
		Control unit UK	JP48870
②	Filter	Filter	JP45092
③	Schwimmer	Float	JP45093
④	Druckleitung 1	Outlet 1	JP45094
⑤	Deckel	Cover	JP45095
⑥	Pumpe	Pump	
	Hebefix plus		JP45096
	Hebefix extra		JP45761
⑦	Rückschlagklappe	Reflux valve	JP09739
⑧	Druckleitung 2	Outlet 2	JP45097
⑨	Steckdichtung	Plug in seal	JP45098
⑩	Steckdichtung	Plug in seal	JP 45099
⑪	Manschette	Collar	
	Hebefix plus		JP45100
⑫	Behälterunterteil	Tank underpart	JP45101
⑬	Deckeldichtung	Cover seal	JP46001



**PUMP TECHNICAL
SERVICES LIMITED**

