

# HEBEFIX EXTRA

## DRAINAGE LIFTING STATION



- Ready to connect
- Quiet
- Integrated ventilation for reliable pump operation
- Flushing device prevents built-up of deposits in the tank
- Runtime monitoring with acoustic alarm and potential-free alarm contact
- Easy to maintain
- High-quality plastic tank (ABS)
- For saline solutions up to 10% salinity

### DESCRIPTION

The Hebefix extra lifting station is an easily installed appliance designed for the disposal of aggressive wastewater. The numerous connection options allow the appliance to be connected directly to a water softening plant or gas condensing boiler in order to dispose of the aggressive waste water produced in such systems.

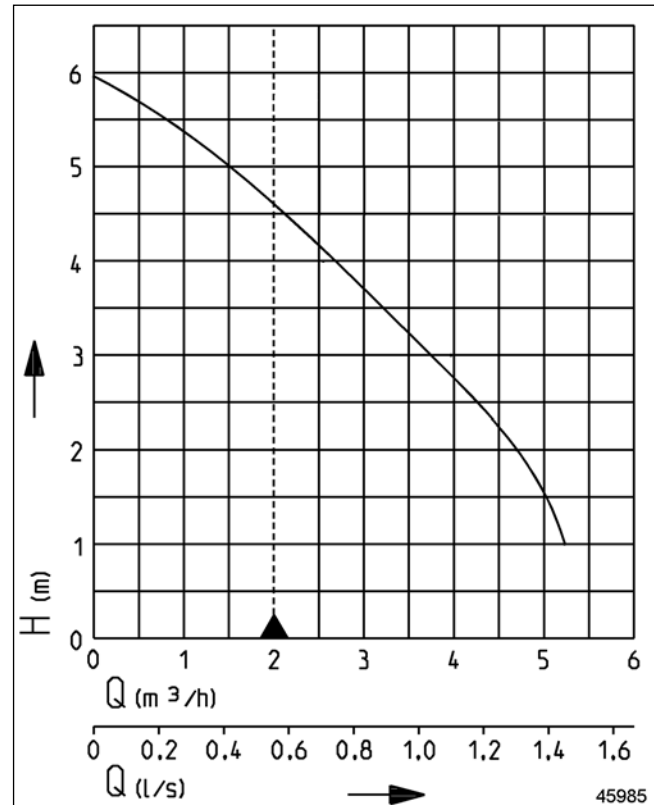
The grey water is pumped to the nearest downpipe through a small-dimensioned pressure pipe (left or right side).

For acoustic failure message, the Hebefix plus contains a runtime monitoring with alarm and a potential-free alarm contact.

The unit is supplied with a submersible pump mounted (U3K extra) which is ready to be plugged to a safety socket and operates fully automatically as soon as wastewater starts to flow in. When installed in bathrooms and shower rooms, the corresponding German VDE regulations must be observed.

The unit is in conformity with the specifications of the EN 12050 standard.

### PERFORMANCE



| Type          | Delivery head H [m] | 1   | 2   | 3   | 4   | 5   |
|---------------|---------------------|-----|-----|-----|-----|-----|
| Hebefix extra | Flow rate Q [m³/h]  | 5.0 | 4.5 | 3.5 | 2.5 | 1.5 |

We reserve the right to change specifications without notice. Pump performance is subject to ISO 9906 tolerances

The minimum flow velocity in the pressure piping must be 0.7 m/s according to EN 12056. This data is represented in the performance curve as a limit of application.



# HEBEFIX EXTRA

## DRAINAGE LIFTING STATION

### SCOPE OF SUPPLY

Unit including pump, according to EN 12050, ready to connect with cable and plug, complete with collars, outlet elbow,

swing-type check valve 1/4", transition nipple, activated carbon filter, clamps and fastening materials.

### MECHANICAL DATA

|                     |                                  |                 |                          |
|---------------------|----------------------------------|-----------------|--------------------------|
| Pump                | Vertical single-stage            | Impeller        | Vortex impeller, plastic |
| Free passage        | 10 mm                            | Motor housing   | Stainless steel          |
| Bearing             | Ball bearings, grease-lubricated | Pump housing    | Plastic                  |
| Seal on motor side  | Rotary shaft seal                | Submersible     | Yes                      |
| Oil chamber         | Yes                              | Pressure outlet | DN 32                    |
| Seal on medium side | SiC mechanical seal              | Tank capacity   | 19 l                     |
| Shaft               | Stainless steel                  | Weight          | 7 kg                     |

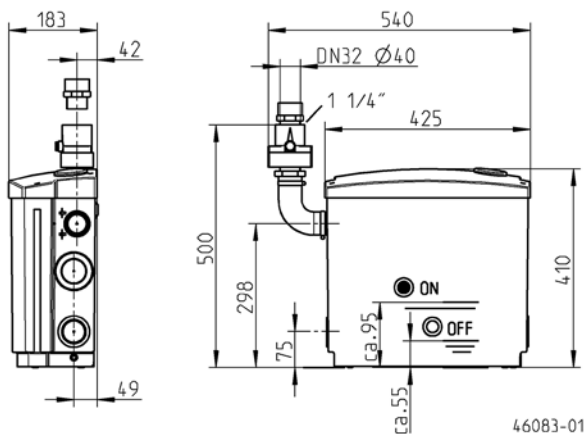
### ELECTRICAL DATA

|                 |              |                    |                          |
|-----------------|--------------|--------------------|--------------------------|
| Voltage         | 1/N/PE~230 V | Type of enclosure  | IP 68                    |
| Motor rating P1 | 0.3 kW       | Insulation class   | B                        |
| Motor rating P2 | 0.2 kW       | Winding thermostat | Yes                      |
| Current         | 1.2 A        | Motor protection   | Installed in the winding |
| Power line      | 1,5m H07RN-F | Plug               | Safety                   |
| Wires           | 4G0,75       |                    |                          |

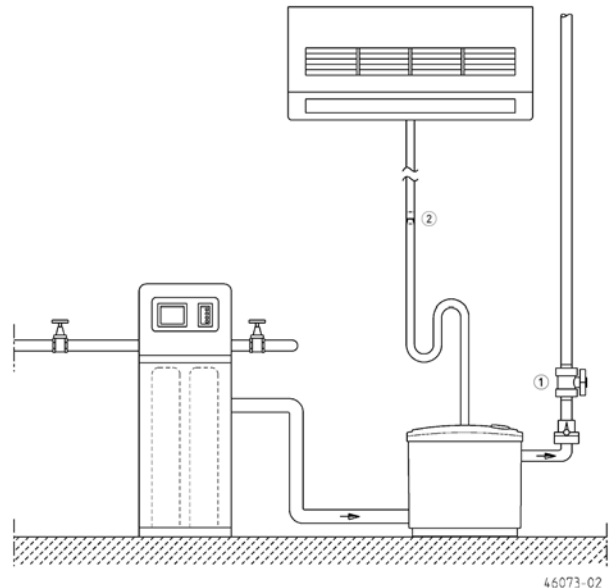
### HEBEFIX EXTRA

|                       |                 |
|-----------------------|-----------------|
| Type                  | <b>Code No.</b> |
| Hebefix extra UK Plug | <b>JP48429</b>  |

### Dimensions Hebefix extra (mm)



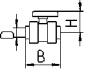

### Example of installation



# HEBEFIX EXTRA

DRAINAGE LIFTING STATION

## MECHANICAL ACCESSORY

|   |                                   |  | Code No.       |
|---|-----------------------------------|--|----------------|
|  | <b>① Stop valve</b><br>Ball valve | 1/4", PVC, for aggressive media 105x155 (HxB)  | <b>JP46111</b> |
|  | <b>② Special ventilation</b>      | special filter with housing, not for hot water | <b>JP27484</b> |

# HEBEFIX EXTRA

DRAINAGE LIFTING STATION