

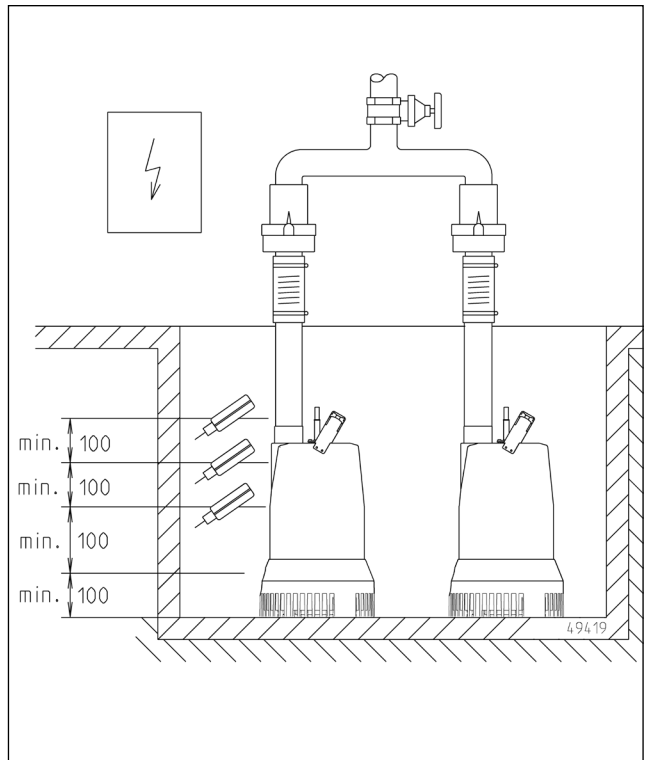
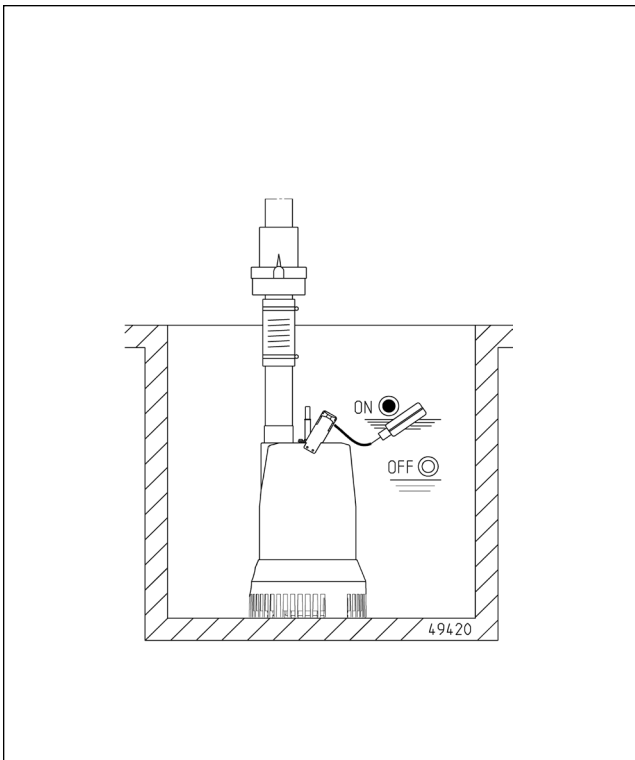
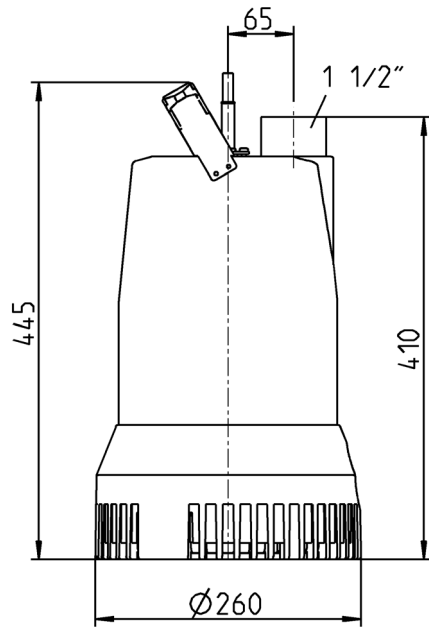


**PUMP TECHNICAL  
SERVICES LIMITED**



## MULTIDRAIN

UV 305-1	UV 310-1	UV 315-1
UV 305-1 S	UV 310-1 S	UV 315-1 S
UV 305-3	UV 310-3	UV 315-3
UV 305-3 S	UV 310-3 S	UV 315-3 S



You have purchased a product made by Pentair Jung Pumpen and with it, therefore, also excellent quality and service. Secure this service by carrying out the installation works in accordance with the instructions, so that our product can perform its task to your complete satisfaction. Please remember that damage caused by incorrect installation or handling will adversely affect the guarantee.

This appliance can be used by children aged 8 years or over and by persons with limited physical, sensory or intellectual capabilities, or with limited experience and knowledge, provided that they are supervised or have been instructed in the safe use of the appliance and are aware of the dangers involved. Children must not be allowed to play with the appliance. Cleaning and user maintenance must not be carried out by children unless they are supervised.

#### Damage prevention in case of failure

Like any other electrical device, this product may fail due to a lack of mains voltage or a technical defect.

If damage (including consequential damage) can occur as a result of product failure, the following precautions can be taken at your discretion:

- Installation of a water level dependent (under circumstances, mains-independent) alarm system, so that the alarm can be heard before damage occurs.
- Inspection of the collecting tank/chamber for tightness up to the top edge before – or at the latest, during – installation or operation of the product.
- Installation of backflow protection for drainage units that can be damaged by wastewater leakage upon product failure.
- Installation of a further product that can compensate in case of failure of the other product (e.g. duplex unit).
- Installation of an emergency power generator.

As these precautions serve to prevent or minimise consequential damage upon product failure, they are to be strictly observed as the manufacturer's guideline – in line with the standard DIN EN specifications as state of the art – when using the product (Higher Regional Court Frankfurt/Main, Ref.: 2 U 205/11, 06/15/2012).

## SAFETY INSTRUCTIONS

This instruction manual contains essential information that must be observed during installation, operation and servicing. It is therefore important that the installer and the responsible technician/operator read this instruction manual before the equipment is installed and put into operation. The manual must always be available at the location where the pump or the plant is installed.

Failure to observe the safety instructions can lead to the loss of all indemnity.

In this instruction manual, safety information is distinctly labelled with particular symbols. Disregarding this information can be dangerous.



General danger to people



Warning of electrical voltage

**NOTICE!** Danger to equipment and operation

#### Qualification and training of personnel

All personnel involved with the operation, servicing, inspection and installation of the equipment must be suitably qualified for this work and must have studied the instruction manual in depth to ensure that they are sufficiently conversant with its contents. The supervision, competence and areas of responsibility of the personnel must be precisely regulated by the operator. If the personnel do not have the necessary skills, they must be instructed and trained accordingly.

#### Safety-conscious working

The safety instructions in this instruction manual, the existing national regulations regarding accident prevention, and any internal working, operating and safety regulations must be adhered to.

#### Safety instructions for the operator/user

All legal regulations, local directives and safety regulations must be adhered to.

The possibility of danger due to electrical energy must be prevented.

Leakages of dangerous (e.g. explosive, toxic, hot) substances must be discharged such that no danger to people or the environment occurs. Legal regulations must be observed.

#### Safety instructions for installation, inspection and maintenance works

As a basic principle, works may only be carried out to the equipment when it is shut down. Pumps or plant that convey harmful substances must be decontaminated.

All safety and protection components must be re-fitted and/or made operational immediately after the works have been completed. Their effectiveness must be checked before restarting, taking into account the current regulations and stipulations.

#### Unauthorised modifications, manufacture of spare parts

The equipment may only be modified or altered in agreement with the manufacturer. The use of original spare parts and accessories approved by the manufacturer is important for safety reasons. The use of other parts can result in liability for consequential damage being rescinded.

#### Unauthorised operating methods

The operational safety of the supplied equipment is only guaranteed if the equipment is used for its intended purpose. The limiting values given in the "Technical Data" section may not be exceeded under any circumstances.

#### Instructions regarding accident prevention

Before commencing servicing or maintenance works, cordon off the working area and check that the lifting gear is in perfect condition.

Never work alone. Always wear a hard hat, safety glasses and safety shoes and, if necessary, a suitable safety belt.

Before carrying out welding works or using electrical devices, check to ensure there is no danger of explosion.

People working in wastewater systems must be vaccinated against the pathogens that may be found there. For the sake of your health, be sure to pay meticulous attention to cleanliness wherever you are working.

Make sure that there are no toxic gases in the working area.

Observe the health and safety at work regulations and make sure that a first-aid kit is to hand.

In some cases, the pump and the pumping medium may be hot and could cause burns.

For installations in areas subject to explosion hazards, special regulations apply!

## APPLICATION

### DANGER!

The pump must never be used when a person is in the water.

Submersible pumps from the MultiDrain range are suitable for pumping slightly soiled water without stones.

Use of the pumps is subject to relevant national laws, regulations and local requirements such as:

- Domestic contaminated water and waste water (e.g. EN 12056 in Europe)
- Installation of low voltage systems (e.g. VDE 0100 in Germany)

For non-standard utilisation conditions, further regulations must be observed (e.g. VDE 0100 in Germany, part 701: bathrooms and shower rooms; part 702: Swimming pools and fountains; part 704: Construction sites and part 737: outdoor use).

### Temperatures

Motor at the surface: continuous operation S1

The pumped medium must have a temperature of max 40°C.

The submersible pump is frost-resistant down to -20°C when stored in dry conditions. When installed, however, it must not be allowed to freeze in the water.

### Transport

The pump must always be lifted by the handle and never by the power supply cable! The pump should only be lowered into deeper chambers or pits using a chain.

## ELECTRICAL CONNECTION

### WARNING!

The pump must only be connected to sockets that have been installed properly in accordance with the regulations and are protected with at least 10 A (slow) and RCD-safety switches (30mA).

**NOTICE!** Only qualified electricians may carry out electrical work on the pump, plug or the control unit.

Current applicable standards (such as EN standards), national regulations (such as VDE in Germany), and the regulations of the local power supply companies must be complied with.

Some types are supplied with an open cable end. To connect to the power supply, a control unit or a nationally approved plug with a protective earth contact must be used.

**NOTICE!** Never put the mains plug or a free lead end in water! If water gets into it, this can cause malfunctions and damage.

Observe the operating voltage (see type plate)!

The pump is provided with a winding thermostat. In case of unacceptably high temperatures, it switches off the pump to protect it against possible damage. Unacceptably high temperatures may result e.g. from dry running or mechanical or electrical overload.

### CAUTION!

The pump is switched on again automatically after cooling down - risk of injury!

For this reason, always disconnect the device from the mains before remedying the fault! In order to do this, unplug from the mains supply or remove the pre-fuses of the pump controls!

Pumps without built-in level control can also be operated automatically through the use of our level controls.

### Rotational direction

The rotational direction must be checked before installation! If the rotational direction is correct, the start-up jolt should be in the opposite direction to the rotational direction arrow on the motor housing. The wrong rotational direction is also indicated if the pump performs inadequately when installed, or if loud noises can be heard during operation. If the rotational direction is wrong, 2 phases of the supply cable must be swapped over.

### CAUTION!

The start-up jolt can be very forceful.

## INSTALLATION

The pump must be installed as shown in the examples. For installations in accordance with EN 12056-4, the pressure pipe must be laid in a loop above the local backflow level and protected with a non-return valve in accordance with EN 12050-4.

A correspondingly larger diameter pipe should be used for longer pressure pipelines to avoid pipe friction losses.

The MultiDrain pumps have a vertical discharge branch.

In contrast to pumps with built-in level control, the ON and OFF switching heights of pumps without built-in level control are variable by the use of a separate level control.

**NOTICE!** If the pump is malfunctioning, part of the contents of the oil reservoir could escape into the pumping medium.

### Dimensions of sump

Single installation: 40 x 50 cm

Duplex installation: 40 x 70 cm

**NOTICE!** The floats of the level control and alarm system are installed so that they are freely movable but not under the inlet. Please observe the minimum distances. The controls must only be installed in a dry and well ventilated room!

## MAINTENANCE

Maintenance and inspection of this product must be carried out in accordance with EN 12056-4.

To ensure continued reliability of service, we recommend that you take out a service contract.

### DANGER!

Before carrying out any work: Disconnect the pump and the control unit from the mains power supply and take action to ensure that no one else can reconnect them to the power supply.

## **WARNING!**

Check the plug and the mains cable for signs of mechanical and chemical damage. Damaged or kinked cables must be replaced by the manufacturer.

**NOTICE!** When using a chain to lift the pump, please observe the relevant national regulations regarding accident prevention. Lifting gear must be checked regularly by an expert in accordance with the legal regulations.

## **Cleaning**

The inlet strainer prevents coarse dirt from entering the pump. Regular cleaning of the float and the foot strainer ensures optimum performance and operation.

If the impeller needs to be cleaned due to blocking or clogging, remove the screws on the underside of the pump and then remove the foot strainer.

Tightening torque  $M_A$  for A2 screw materials

M 6  $M_A = 8 \text{ Nm}$ ,

M 8  $M_A = 20 \text{ Nm}$ ,

M 10  $M_A = 40 \text{ Nm}$ ,

M 12  $M_A = 70 \text{ Nm}$ ,

foot strainer  $M_A = 3 \text{ Nm}$ .

## **QUICK TIPS FOR REMEDYING FAULTS**

### **Pump does not work**

- Check mains current (do not use a pin gauge)
- Fuse faulty = may be too weak (please refer to Electrical Connection)
- Mains supply cable damaged = repair to be carried out by manufacturer only

### **Pump runs but does not pump**

- Empty the pressure pipe or hose to allow the non-return valve to open and the air to escape from the pump housing.

### **Impeller blocked**

- Solids and fibrous matter have become lodged in the pump housing = clean

### **Decreased pumping performance**

- Foot strainer obstructed = clean
- Pump housing obstructed = clean
- Impeller worn = replace
- Wrong direction of rotation (for a three-phase current) = ask a qualified electrician to change 2 phases of the supply line

EU-Konformitätserklärung  
EU-Prohlášení o shodě  
EU-Overensstemmelseserklæring  
EU-Declaration of Conformity  
EU-Vaatimustenmukaisuusvakuutus

EU-Déclaration de Conformité  
EU-Megfelelőségi nyilatkozat  
EU-Dichiarazione di conformità  
EU-Conformiteitsverklaring  
EU-Deklaracja zgodności

EU-Declarație de conformitate  
EU-Vyhlášení o zhode  
EU-Försäkran om överensstämmelse

DE - Richtlinien - Harmonisierte Normen  
CS - Směrnice - Harmonizované normy  
DA - Direktiv - Harmoniseret standard  
EN - Directives - Harmonised standards  
FI - Direktiivi - Yhdenmukaistettu standardi

FR - Directives - Normes harmonisées  
HU - Irányelve - Harmonizált szabványok  
IT - Direttive - Norme armonizzate  
NL - Richtlijnen - Geharmoniseerde normen  
PL - Dyrektywy - Normy zharmonizowane

RO - Directivă - Norme coroborate  
SK - Smernice - Harmonizované normy  
SV - Direktiv - Harmoniserade normer

- 2006/42/EG (MD) EN 809:1998/AC:2010, EN ISO 12100:2010, EN 60335-1:2012/A11:2014
- 2011/65/EU (RoHS)
- 2014/30/EU (EMC) EN 55014-1:2006/A2:2011, EN 55014-2:1997/A2:2008, EN 60034-1:2010  
EN 61000-3-2:2014, EN 61000-3-3:2013

JUNG PUMPEN GmbH - Industriestr. 4-6 - 33803 Steinhagen - Germany - www.jung-pumpen.de

DE - Wir erklären in alleiniger Verantwortung, dass das Produkt den aufgeführten Richtlinien entspricht.  
CS - Prohlašujeme na svou výlučnou odpovědnost, že výrobek odpovídá jmenovaným směrnicím.  
DA - Vi erklærer under ansvar at produktet i overensstemmelse med de retningslinjer  
EN - We hereby declare, under our sole responsibility, that the product is in accordance with the specified Directives.  
FI - Me vakuutamme omalla vastuullamme, että tuote täyttää ohjeita.  
FR - Nous déclarons sous notre propre responsabilité que le produit répond aux directives.  
HU - Kizárólagos felelősségünk tudatában kijelentjük, hogy ez a termék megfelel az Európai Unió fentvezetett irányelveinek.  
IT - Noi dichiariamo sotto la nostra esclusiva responsabilità che il prodotto è conforme alle direttive citate  
NL - Wij verklaren geheel onder eigen verantwoordelijkheid dat het product voldoet aan de gestelde richtlijnen.  
PL - Z pełną odpowiedzialnością oświadczamy, że produkt odpowiada postanowieniom wymienionych dyrektyw.  
RO - Declarăm pe proprie răspundere că produsul corespunde normelor prevăzute de directivele mai sus menționate.  
SK - Na výlučnú zodpovednosť vyhlasujeme, že výrobok spĺňa požiadavky uvedených smerníc.  
SV - Vi försäkrar att produkten på vårt ansvar är utförd enligt gällande riktlinjer.

UV 305-1S (JP48693) UV 310-1S (JP48697) UV 315-1S (JP48701)  
UV 305-3S (JP48694) UV 310-3S (JP48698) UV 315-3S (JP48702)


DE - Weitere normative Dokumente CS - Jinými normativními dokumenty DA - Andre normative dokumenter EN - Other normative documents FI - Muiden normien FR - Autres documents normatifs HU - Egyéb szabályozó dokumentumokban leírtaknak IT - Altri documenti normativi NL - Verdere normatieve documenten PL - Innymi dokumentami normatywnymi RO - Alte acte normative SK - Iným záväzným dokumentom SV - Vidare normerande dokument:


EN 60335-2-41:2003/A2:2010  
EN 62233:2008/AC:2008

DE - Bevollmächtigter für technische Dokumentation CS - Oprávněná osoba pro technickou dokumentaci DA - Autoriseret person for teknisk dokumentation EN - Authorized person for technical documentation FI - Valtuutettu henkilö tekninen dokumentaatio FR - Personne autorisée à la documentation technique HU - Hivatalos személy műszaki dokumentáció IT - Persona abilitata per la documentazione tecnica NL - Bevoegd persoon voor technische documentatie PL - Pełnomocnik ds. dokumentacji technicznej RO - Persoană autorizată pentru documentația tehnică SK - Oprávněná osoba pre technickú dokumentáciu SV - Auktoriserad person för teknisk dokumentation:

JUNG PUMPEN - Stefan Sirges - Industriestr. 4-6 - 33803 Steinhagen

Steinhagen, 10-10-2018

  
Stefan Sirges, General Manager

  
i.V. Rüdiger Rokohl, Sales Manager

EU-Konformitätserklärung  
EU-Prohlášení o shodě  
EU-Overensstemmelseserklæring  
EU-Declaration of Conformity  
EU-Vaatumustenmukaisuusvakuutus

EU-Déclaration de Conformité  
EU-Megfelelőségi nyilatkozat  
EU-Dichiarazione di conformità  
EU-Conformiteitsverklaring  
EU-Deklaracja zgodności

EU-Declaratie de conformitate  
EU-Vyhlasenie o zhode  
EU-Försäkran om överensstämmelse

DE - Richtlinien - Harmonisierte Normen  
CS - Směrnice - Harmonizované normy  
DA - Direktiv - Harmoniseret standard  
EN - Directives - Harmonised standards  
FI - Direktiivi - Yhdenmukaistettu standardi

FR - Directives - Normes harmonisées  
HU - Irányelve - Harmonizált szabványok  
IT - Direttive - Norme armonizzate  
NL - Richtlijnen - Geharmoniseerde normen  
PL - Dyrektywy - Normy zharmonizowane

RO - Directivă - Norme coroborate  
SK - Smernice - Harmonizované normy  
SV - Direktiv - Harmoniserade normer

• 2006/42/EG (MD)  
• 2011/65/EU (RoHS)  
• 2014/30/EU (EMC)

EN 809:1998/AC:2010, EN ISO 12100:2010  
EN 60034-1:2010, EN 61000-3-2:2014, EN 61000-3-3:2013

JUNG PUMPEN GmbH - Industriestr. 4-6 - 33803 Steinhagen - Germany - www.jung-pumpen.de

DE - Wir erklären in alleiniger Verantwortung, dass das Produkt den aufgeführten Richtlinien entspricht.  
CS - Prohlašujeme na svou výlučnou odpovědnost, že výrobek odpovídá jmenovaným směrnici.  
DA - Vi erklærer under ansvar at produktet i overensstemmelse med de retningslinjer  
EN - We hereby declare, under our sole responsibility, that the product is in accordance with the specified Directives.  
FI - Me vakuutamme omalla vastuullamme, että tuote täyttää ohjeita.  
FR - Nous déclarons sous notre propre responsabilité que le produit répond aux directives.  
HU - Kizárólagos felelősségünk tudatában kijelentjük, hogy ez a termék megfelel az Európai Unió fentnevezett irányelveinek.  
IT - Noi dichiariamo sotto la nostra esclusiva responsabilità che il prodotto è conforme alle direttive citate  
NL - Wij verklaren geheel onder eigen verantwoordelijkheid dat het product voldoet aan de gestelde richtlijnen.  
PL - Z pełną odpowiedzialnością oświadczamy, że produkt odpowiada postanowieniom wymienionych dyrektyw.  
RO - Declaram pe proprie răspundere că produsul corespunde normelor prevăzute de directivele mai sus menționate.  
SK - Na výlučnú zodpovednosť vyhlasujeme, že výrobok spĺňa požiadavky uvedených smerníc.  
SV - Vi försäkrar att produkten på vårt ansvar är utförd enligt gällande riktlinjer.

US 73 HE (JP09267/1)	US 152 E (JP09435)	US 151 E (JP09310)	UV 305-1 (JP48691)	UV 620-1 (JP47337)
US 73 HES (JP09264/1)	US 152 D (JP09437)	US 151 D (JP09300)	UV 305-3 (JP48692)	UV 620-1S (JP47338)
US 103 HE (JP09307)	US 153 E (JP09311/1)	US 251 D (JP09301)	UV 310-1 (JP48695)	UV 620-3 (JP47339)
US 103 HES (JP09308)	US 153 D (JP09302/1)	US 253 D (JP09303)	UV 310-3 (JP48696)	UV 620-3S (JP47340)
	US 155 E (JP09388)		UV 315-1 (JP48699)	UV 625-3 (JP47341)
	US 155 D (JP09390)		UV 315-3 (JP48700)	UV 625-3S (JP47342)
				UV 635-3 (JP47343)
				UV 635-3S (JP47344)


DE - Weitere normative Dokumente CS - Jinými normativními dokumenty DA - Andre normative dokumenter EN - Other normative documents FI - Muiden normien FR - Autres documents normatifs HU - Egyéb szabályozó dokumentumokban leírtaknak IT - Altri documenti normativi NL - Verdere normatieve documenten PL - Innymi dokumentami normatywnymi RO - Alte acte normative SK - Iným záväzným dokumentom SV - Vidare normerande dokument:


EN 60034-5:2001/A1:2007


DE - Bevollmächtigter für technische Dokumentation CS - Oprávněná osoba pro technickou dokumentaci DA - Autoriseret person for teknisk dokumentation EN - Authorized person for technical documentation FI - Valtuutettu henkilö tekninen dokumentaatio FR - Personne autorisée à la documentation technique HU - Hivatalos személyi műszaki dokumentáció IT - Persona abilitata per la documentazione tecnica NL - Bevoegd persoon voor technische documentatie PL - Pełnomocnik ds. dokumentacji technicznej RO - Persoană autorizată pentru documentație tehnică SK - Oprávněná osoba pre technickú dokumentáciu SV - Auktoriserad person för teknisk dokumentation:

JUNG PUMPEN - Stefan Sirges - Industriestr. 4-6 - 33803 Steinhagen


Steinhagen, 20-02-2019

  
Stefan Sirges, General Manager

  
i.V. Rüdiger Rokohl, Sales Manager

 0197	
JUNG PUMPEN GmbH - Industriestr. 4-6 33803 Steinhagen, Germany 17 421.10.1707	
<b>EN 12050-2:2001</b> <b>Abwasserhebeanlage für fäkalienfreies Abwasser</b>	
UV 305-1(JP48691)	UV 620-1(JP47337)
UV 305-1S(JP48693)	UV 620-1S(JP47338)
UV 305-3(JP48692)	UV 620-3(JP47339)
UV 305-3S(JP48694)	UV 620-3S(JP47340)
UV 310-1(JP48695)	UV 625-3(JP47341)
UV 310-1S(JP48697)	UV 625-3S(JP47342)
UV 310-3(JP48696)	UV 635-3(JP47343)
UV 310-3S(JP48698)	UV 635-3S(JP47344)
UV 315-1(JP48699)	
UV 315-1S(JP48701)	
UV 315-3(JP48700)	
UV 315-3S(JP48702)	
Sammeln und automatisches Heben von fäkalienfreiem Abwasser innerhalb und außerhalb von Gebäuden über die Rückstauenebene	


BRANDVERHALTEN	NPD
WASSERDICHTHEIT	Bestanden
WIRKSAMKEIT (HEBEWIRKUNG)	
- Förderung von Feststoffen	Bestanden
- Rohranschlüsse	Bestanden
- Lüftung	NPD
- Mindestfließgeschwindigkeit	Bestanden
- Freier Mindestdurchgang der Anlage	Bestanden
- Mindestnutz volumen	NPD
MECHANISCHE FESTIGKEIT	
- Tragfähigkeit und strukturelle Stabilität des Sammelbehälters für die Verwendung außerhalb von Gebäuden	NPD
- Strukturelle Stabilität des Sammelbehälters für die Verwendung innerhalb von Gebäuden	NPD
GERÄUSCHPEGEL	70 dB(A)
DAUERHAFTIGKEIT	
- der Wasserdichtheit und Luftdichtheit	Bestanden
- der Hebewirkung	Bestanden
- der mechanischen Festigkeit	Bestanden
GEFÄHRLICHE SUBSTANZEN	NPD

 0197	
JUNG PUMPEN GmbH - Industriestr. 4-6 33803 Steinhagen, Germany 17 421.10.1707	
<b>EN 12050-2:2001</b> <b>Lifting plant for faecal-free wastewater</b>	
UV 305-1(JP48691)	UV 620-1(JP47337)
UV 305-1S(JP48693)	UV 620-1S(JP47338)
UV 305-3(JP48692)	UV 620-3(JP47339)
UV 305-3S(JP48694)	UV 620-3S(JP47340)
UV 310-1(JP48695)	UV 625-3(JP47341)
UV 310-1S(JP48697)	UV 625-3S(JP47342)
UV 310-3(JP48696)	UV 635-3(JP47343)
UV 310-3S(JP48698)	UV 635-3S(JP47344)
UV 315-1(JP48699)	
UV 315-1S(JP48701)	
UV 315-3(JP48700)	
UV 315-3S(JP48702)	
Collecting and automatically lifting faecal-free waste water above the backflow level in buildings and sites	

REACTION TO FIRE	NPD
WATERTIGHTNESS	Pass
EFFECTIVENESS (LIFTING EFFECTIVENESS)	
- Pumping of solids	Pass
- Pipe connections	Pass
- Ventilation	NPD
- Minimum flow velocity	Pass
- Minimum free passage of the plant	Pass
- Minimum useful volume	NPD
MECHANICAL RESISTANCE	
- Load bearing capacity and structural stability of collection tank for use outside buildings	NPD
- Structural stability of collection tank for use inside buildings	NPD
NOISE LEVEL	70 dB(A)
DURABILITY	
- of structural stability	Pass
- of lifting effectiveness	Pass
- of mechanical resistance	Pass
DANGEROUS SUBSTANCES	NPD



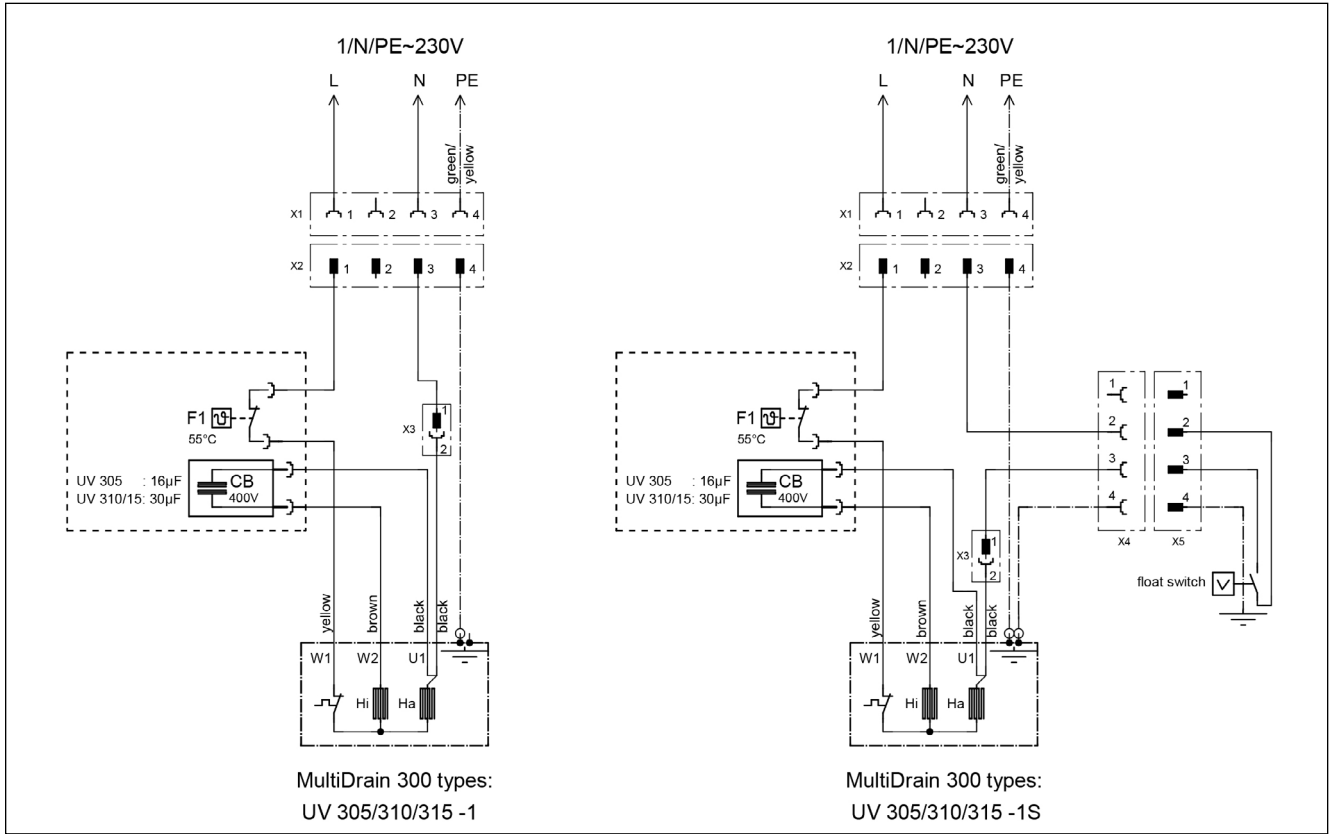
## Technical data

		<b>UV 305-1 UV 305-1 S</b>	<b>UV 310-1 UV 310-1 S</b>	<b>UV 315-1 UV 315-1 S</b>	<b>UV 305-3 UV 305-3 S</b>	<b>UV 310-3 UV 310-3 S</b>	<b>UV 315-3 UV 315-3 S</b>
	[kg]	17,3	19,2	19,2	17,7	19,2	19,2
		17,8	19,7	19,7	18,2	19,7	19,7
	DN	1 1/2 "	1 1/2 "	1 1/2 "	1 1/2 "	1 1/2 "	1 1/2 "
	[mm]	10	10	10	10	10	10
P1	[W]	1150	1300	1830	1150	1350	1850
P2	[W]	880	1000	1360	840	1080	1450
U	[V]	1/PE ~230	1/PE ~230	1/PE ~230	3/PE ~400	3/PE ~400	3/PE ~400
f	[Hz]	50	50	50	50	50	50
I	[A]	5,3	5,8	8,2	2,6	3,0	3,6

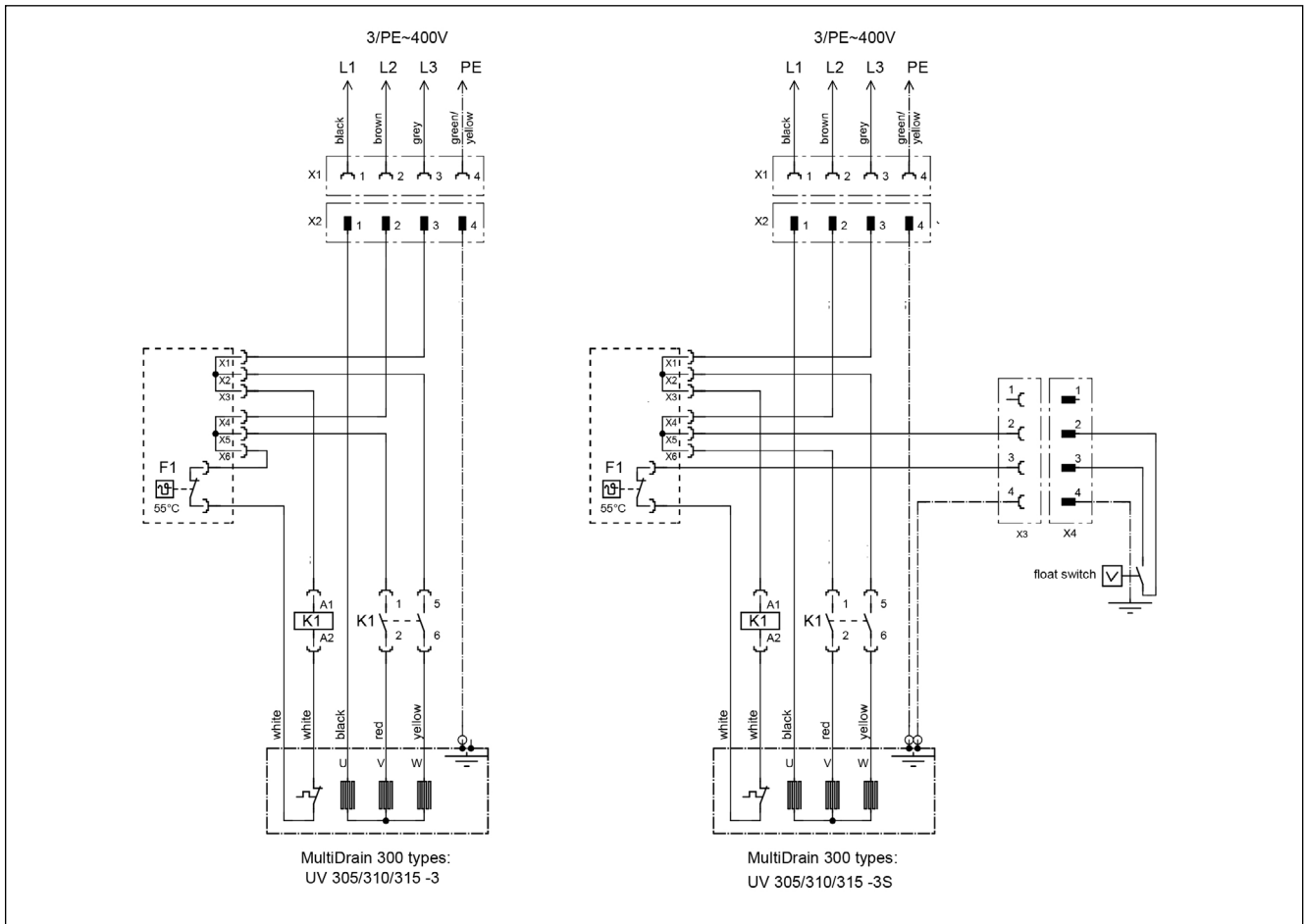
## Performance

<b>H[m]</b>	<b>1</b>	<b>3</b>	<b>5</b>	<b>7</b>	<b>9</b>	<b>11</b>	<b>13</b>
							<b>Q [m³/h]</b>
<b>UV 305-1</b>	21	17,5	14	7			
<b>UV 310-1</b>	24,5	21	17	13	6		
<b>UV 315-1</b>	28	25	22	19	14,5	10	2
<b>UV 305-3</b>	22	18,5	14	8,5			
<b>UV 310-3</b>	24,5	21,5	17,5	13,5	6		
<b>UV 315-3</b>	29	25,5	23	19	15	10	3

UV 305-1 - UV 315-1

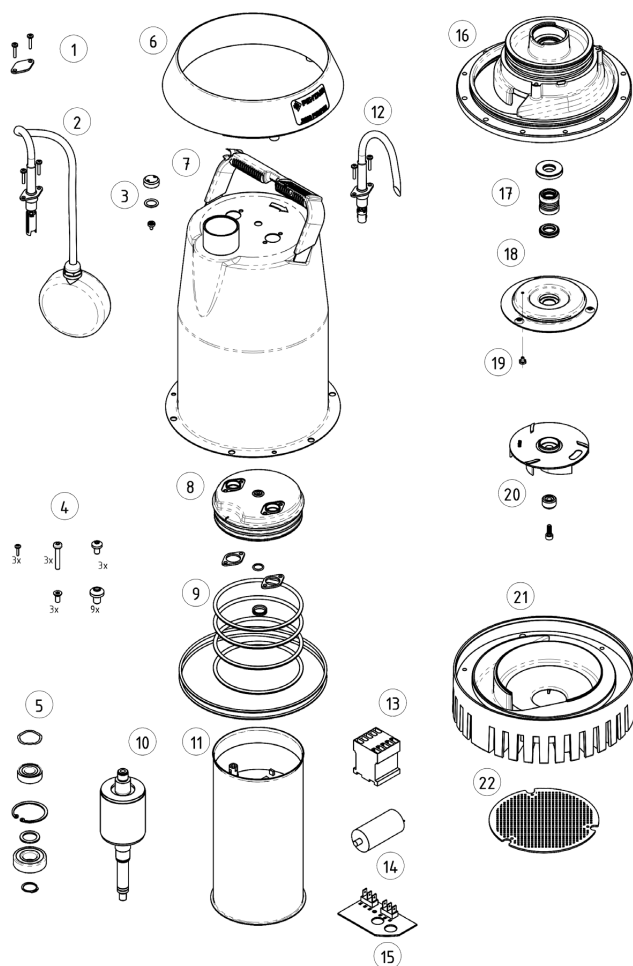


UV 305-3 - UV 315-3



## MULTIDRAIN UV 300

Spare parts



①	Blindflansch	Blind flange	<b>JP48921</b>
②	KT-Schalter	KT-switch	<b>JP48881</b>
③	Verschluss UV300	Plug UV300	<b>JP48882</b>
④	Schraubensatz	Screw set	<b>JP49249</b>
⑤	Lagersatz	Bearing set	<b>JP48893</b>
⑥	Abdeckung	Cover	<b>JP49252</b>
⑦	Doppelmantel	Double jacket	<b>JP49253</b>
⑧	Deckel	Plug	
	1 Loch	1 hole	<b>JP48891</b>
	2 Loch	2 hole	<b>JP48892</b>
⑨	Dichtungssatz	Seal set	<b>JP48898</b>
⑩	Rotorwelle	Rotor shaft	
	UV 305		<b>JP49250</b>
	UV 310, 315		<b>JP49251</b>
⑪	Stator + Gehäuse	Stator + Housing	
	UV 305-1		<b>JP49254</b>
	UV 310-1, UV 315-1		<b>JP49255</b>
	UV 305-3		<b>JP49256</b>
	UV 310-3, UV 315-3		<b>JP49257</b>
⑫	Leitung	Cable	
	230 V, UV 3xx-1,		<b>JP49258</b>
	400 V, UV 3xx-3		<b>JP48884</b>
	400 V, UV 3xx-3S		<b>JP49259</b>
⑬	Schalterschütz	Contacteur	<b>JP48880</b>
⑭	Kondensator	Capacitor	
	UV 305		<b>JP49266</b>
	UV 310, UV 315		<b>JP49267</b>
⑮	Platine	PCB	
	UV 305-1		<b>JP50264</b>
	UV 310-1, UV 315-1		<b>JP50265</b>
	UV 3xx-3		<b>JP48896</b>
⑯	Lagerflansch	Bearing flange	<b>JP49260</b>
⑰	Gleitringdicht.satz	Mech. seal set	<b>JP48902</b>
⑱	Dichtungsdeckel	Seal cover	<b>JP48903</b>
⑲	Ölschraube	Oil screw	<b>JP48904</b>
⑳	Laufgrad	Impeller	
	UV 305		<b>JP49261</b>
	UV 310		<b>JP49262</b>
	UV 315		<b>JP49263</b>
㉑	Siebfuß	Strainer base	<b>JP49264</b>
㉒	Sieb UV 300		<b>JP49265</b>



**PUMP TECHNICAL  
SERVICES LIMITED**

