



Pump House, Unit 12 Bilton Road Industrial Estate, Erith, Kent, DA8 2AN
T: 01322 357080 E-mail: sales@pts-jung.co.uk Website: www.pts-jung.co.uk

PTS MAXIVENT TM

The **PTS Maxivent** is used when external ventilation is difficult or impossible. It operates as a two way vent, filtering air in both directions. **It is only suitable for outdoor use.**

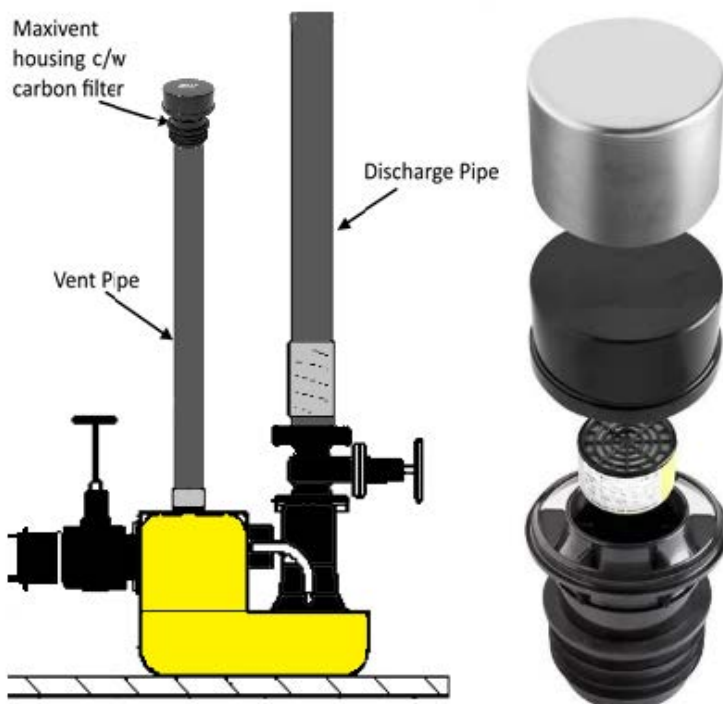
Whereas Air Admittance Valves or Similar are NOT suitable for pumping systems as they only let air through one way and create a vacuum, the **PTS Maxivent** on the other hand is the perfect solution for pumping applications.

The **PTS Maxivent** comes with a Carbon Filter that is ideal for neutralizing the unpleasant gases and odours which escape from pump systems and for this reason these **PTS Maxivent** systems are often specified by water authorities.

The **PTS Maxivent** should be installed in a way that minimises the possibility of fluids or solids coming into contact with the filter. It is therefore advised to install the **PTS Maxivent** as high as possible on the vent pipe to minimise this risk (as shown below).

You need to ensure access is available for removal and replacement of the filter; filter replacement is recommended on each routine pump service.

The optional aluminum cap provides increased protection for the plastic casing; ideal for outdoor applications where a more robust system is required.



Scope of Supply:

Aluminum Cap



Plastic casing & Rubber connector



Activated Carbon Cartridge



Pump Technical Services Ltd
Pump House, Unit 12,
Bilton Road
Industrial Estate,
Erith, Kent, DA8 2AN
01322 357080
sales@pts-jung.co.uk