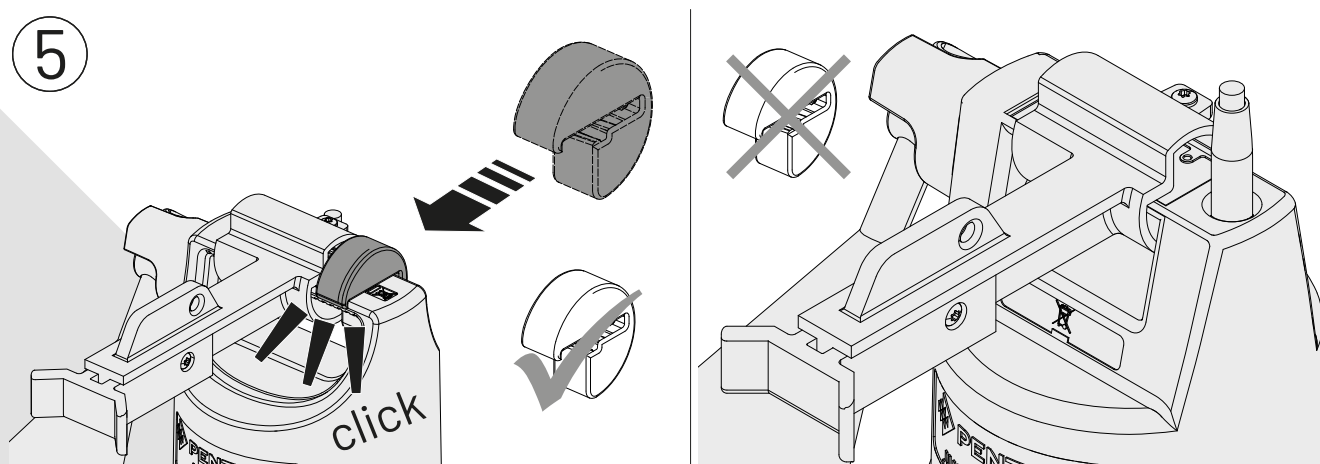
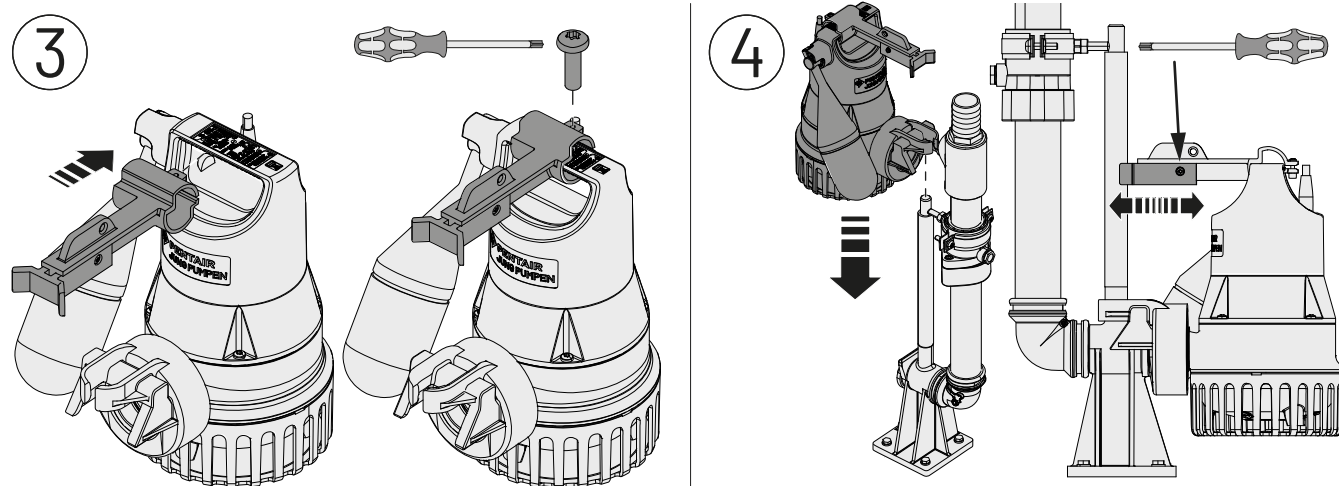
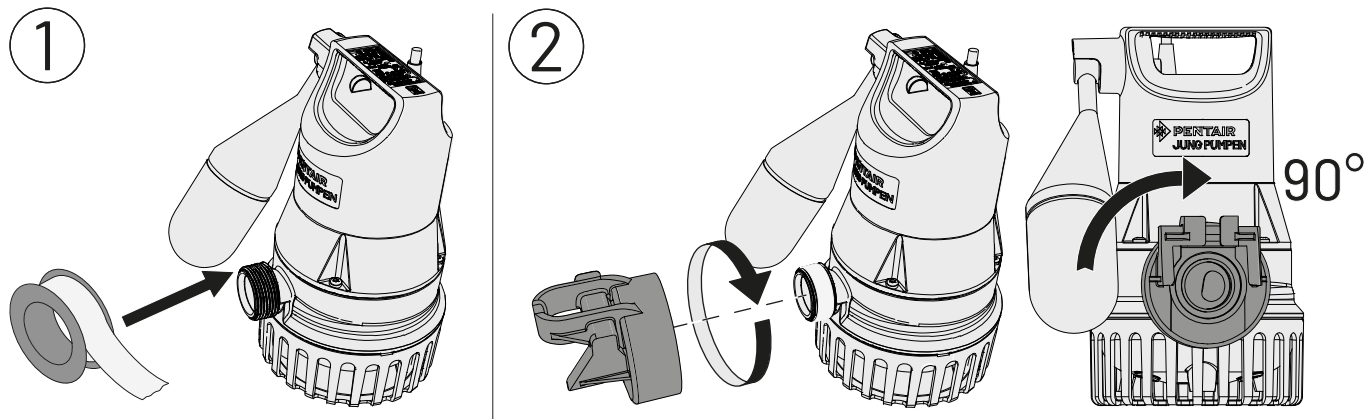
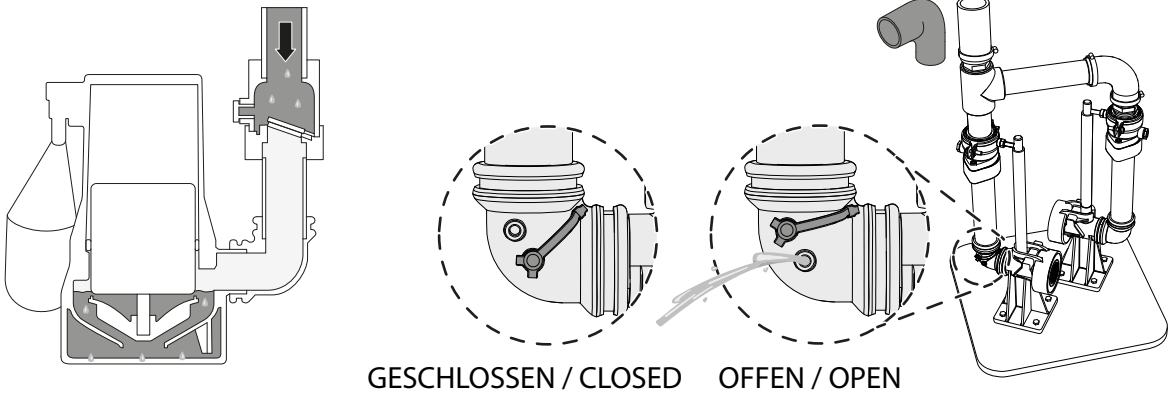


## EASYFIX 32 DUO / EASYFIX 32 SINGLE

### ① – ⑥ EASYFIX 32 DUO / EASYFIX 32 SINGLE




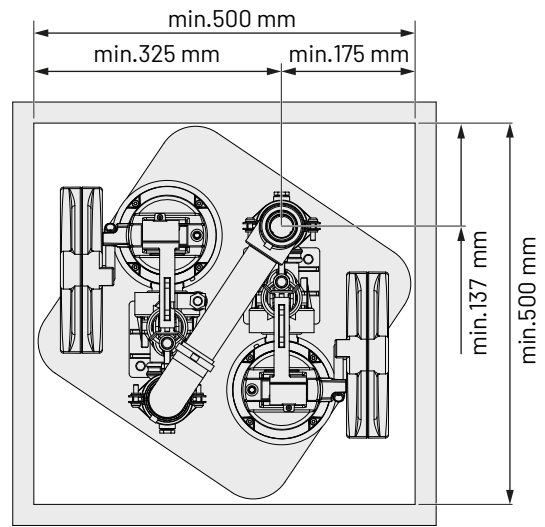
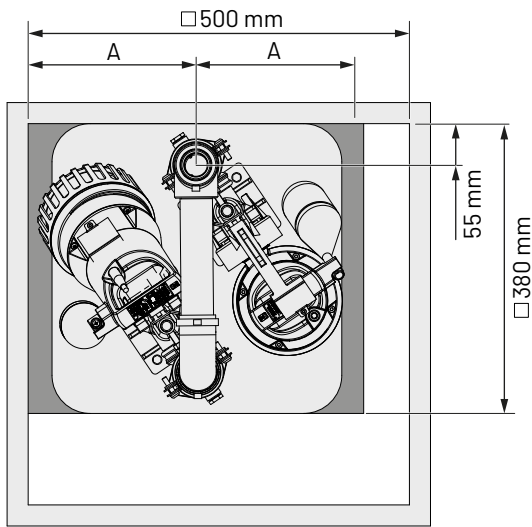
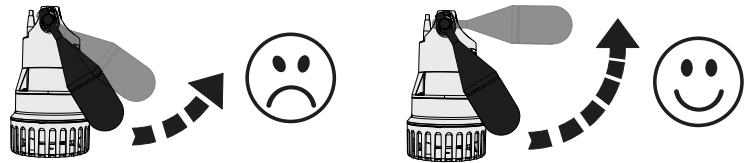
6



7

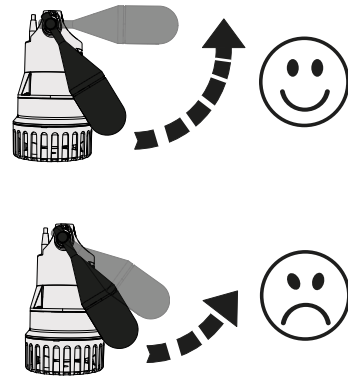
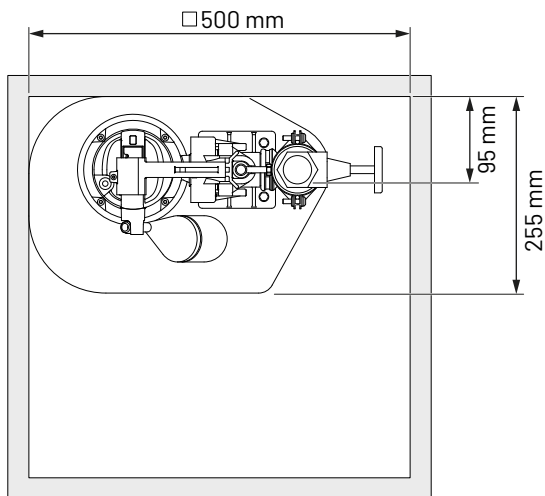
### EASYFIX 32 DUO

	U3 KS	U5 KS	U6 K ES
A mm	min. 220	min. 242	min. 250

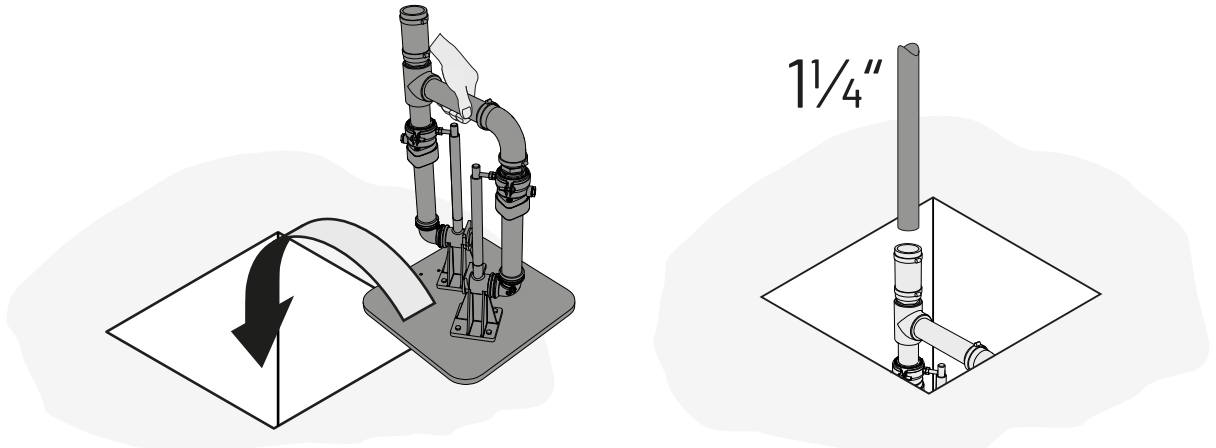


8

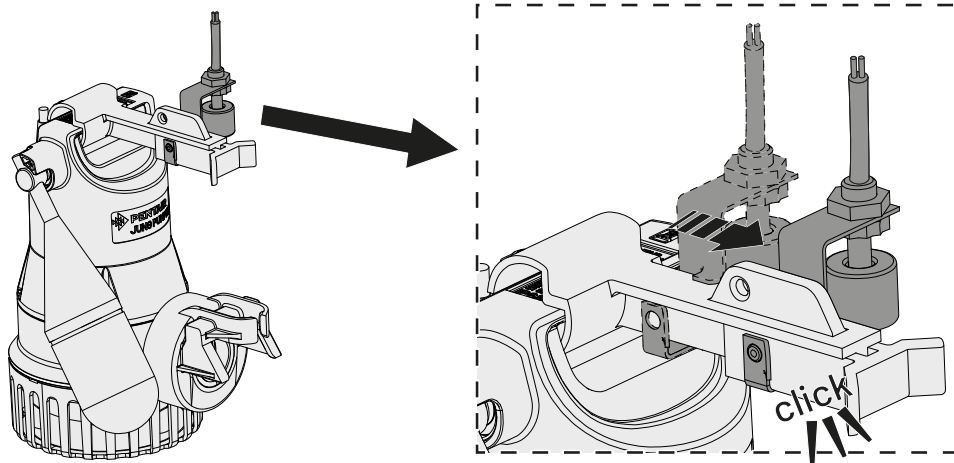
### EASYFIX 32 Single



9 EASYFIX 32 DUO / EASYFIX 32 SINGLE

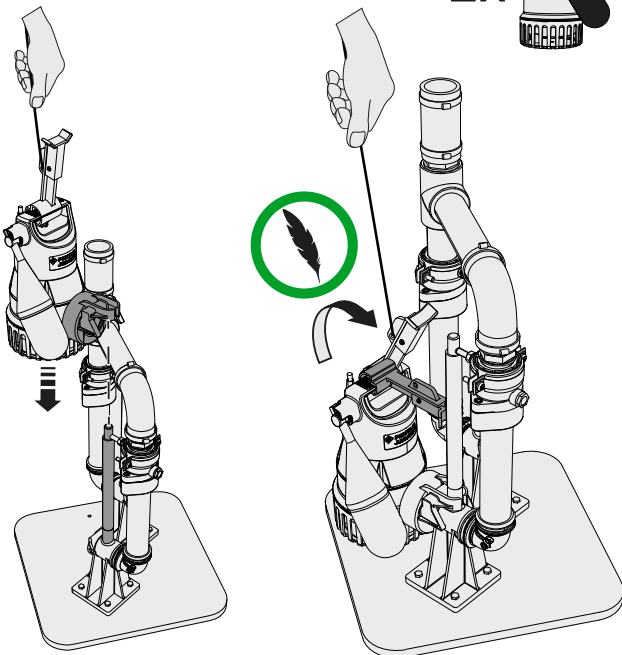


10 EASYFIX 32 DUO

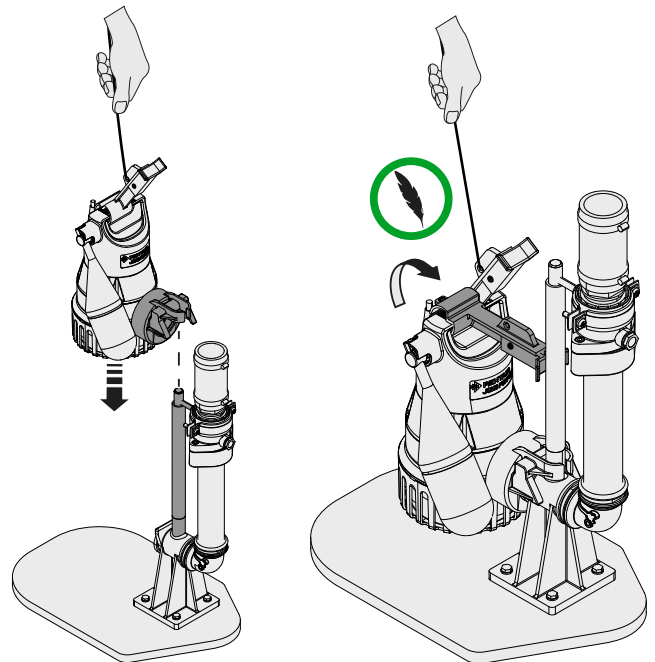


EASYLOGO 2-00 E B 55002 [jung-pumpen.de/download.html](http://jung-pumpen.de/download.html)

11 EASYFIX 32 DUO



Easyfix 32 SINGLE





Jung Pumpen GmbH  
Industriestr. 4-6  
33803 Steinhagen  
Deutschland  
Tel. +49 5204 170  
kd@jung-pumpen.de

Pentair Water Italy Srl  
Via Masaccio, 13  
56010 Lignano - Pisa  
Italia  
Tel. +39 050 716 111  
info@jung-pumpen.it

Pentair Water Polska Sp. z o.o.  
ul. Plonów 21  
41-200 Sosnowiec  
Polska  
Tel. +48 32 295 1200  
infopl.jungpumpen@pentair.com