

# COMPLI MC

## SEWAGE LIFTING STATIONS WITH MULTICUT CUTTING SYSTEM

- Ready to connect pipe
- Submersible
- Clamp-type inlet flange
- Versatile connection facilities
- Small dimensioned pressure pipe
- High delivery head
- PE-tank
- MultiCut cutting system
- Smart home compatible



### DESCRIPTION

The sewage lifting stations Compli 100, Compli 500 and Compli 1000 with MultiCut cutting system are used especially for disposal in special objects, such as weekend cottages, house-boats, toilets in production halls or mobile sanitary facilities.

The MultiCut cutting system enables wastewater to be pumped through long and small-dimensioned pressure pipes to the nearest sewer whereby the pressure pipes can follow the terrain. This type of wastewater transport is more economical in many cases than disposal by gravity sewer. The external cutting system ensures safe operation.

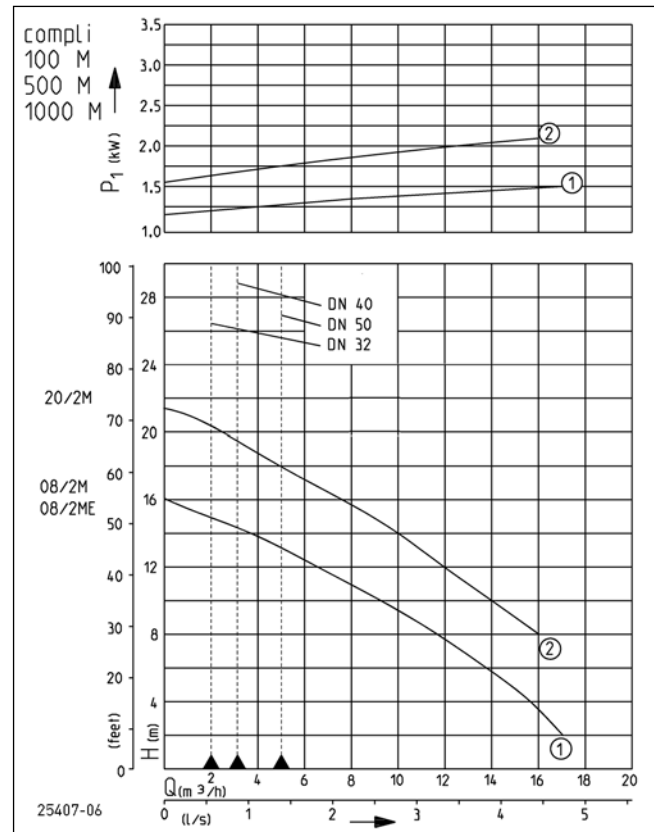
The submersible units are permitted for general use in areas subject to flooding. The control unit has to be fitted in a well ventilated flood-proof room. The PE tanks have freely accessible drains, a top-mounted cleaning opening and a clamp-type inlet flange for an easy installation. The inlet height is variable depending on the type and inlet pipe:

Compli 100: DN 50: 150, 250 mm; DN 150/DN 50: 180, 275 a.315 mm

Compli 500/1000: DN 100:180, 250 mm; DN 100: 180-340 mm.

For the connection of an inlet pipe DN 100 a PVC reducer DN 150/ DN 100 is added to the Compli 500 and 1000. A vertical inlet neck is mounted on top of the tank for an inlet pipe DN 150 or DN 100. If the rear inlet is not used it must be closed with the sealing set DN 150 (accessory). The duplex units Compli 1000 have two pumps, that operate alternately. In case of peak load operation both pumps operate at the same time.

### PERFORMANCE



Type	Delivery head H [m]	2	4	6	8	10	12	14	16	18	20
Compli 108/2+508/2+1008/2 ME/M	Flow rate Q [m³/h]	17	16	14	12	9	7	4			
Compli 120/2+520/2+1020/2 M					16	14	12	10	8	5	3

Specifications can be changed without notice. Performance subject to ISO 9906 tolerances. The minimum flow velocity in the pressure piping must be 0.7 m/s according to EN 12056. This data is represented in the performance curve as a limit of application.



# COMPLI MC

## SEWAGE LIFTING STATIONS WITH MULTICUT CUTTING SYSTEM

### SCOPE OF SUPPLY

Ready-to-connect tank system (capacity 38 l respectively 115 l) in keeping with German / European standard 12050 with height-adjustable DN 100 revolver clamping flange for inlet height 180/250 mm for Compli 100; Compli 500 and 1000 PVC-tube DN 150 (180, 275, 315 mm), DN 100 (180-340 mm), additional horizontal and vertical inlets, diam. 50 mm, adapter DN 150/DN 100, pre-mounted submersible pump, one elastic connection each with clamps for plastic pressure pipes and jointing tube for DN 70 ventilation pipe, mounted non-return valve, automatic float

switch circuit, control (IP 44 type of protection) with motor protection, contactor, transformer, mains-dependable optionally acknowledgeable alarm system and potential-free contact for collective failure messages, optical display of sense of direction (three-phase current), alarm and operation, button for test run. Single units with adjustable maintenance interval display and input for additional high water alarm

Cable between tank and control 4 m, cable between control and plug 1.5 m.

### MECHANICAL DATA

Pump	Vertical single-stage	Shaft	voll gegen Medium abgedeckt
Free passage	7 mm	Impeller	Vortex impeller, GFK
Bearing	Ball bearings, grease-lubricated	Motor housing	Grey cast iron
Oil chamber	Yes	Pump housing	Grey cast iron
Run dry protection	Yes	Submersible	Yes

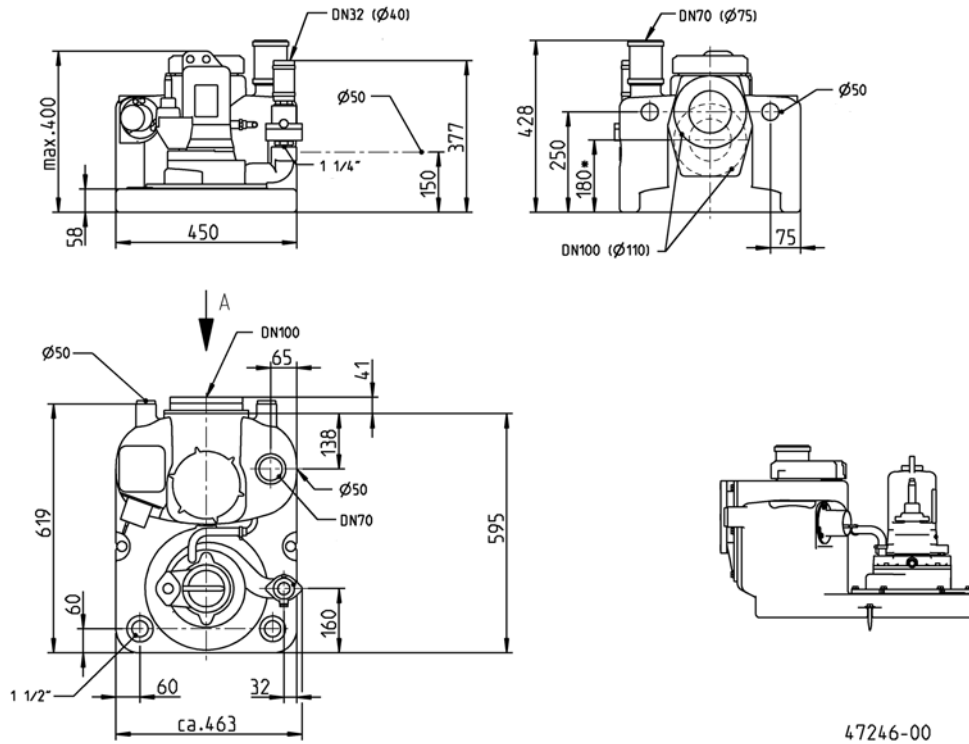
### ELECTRICAL DATA

Wires	6G1,5	Insulation class	F
Type of enclosure	IP 68	Winding thermostat	Yes

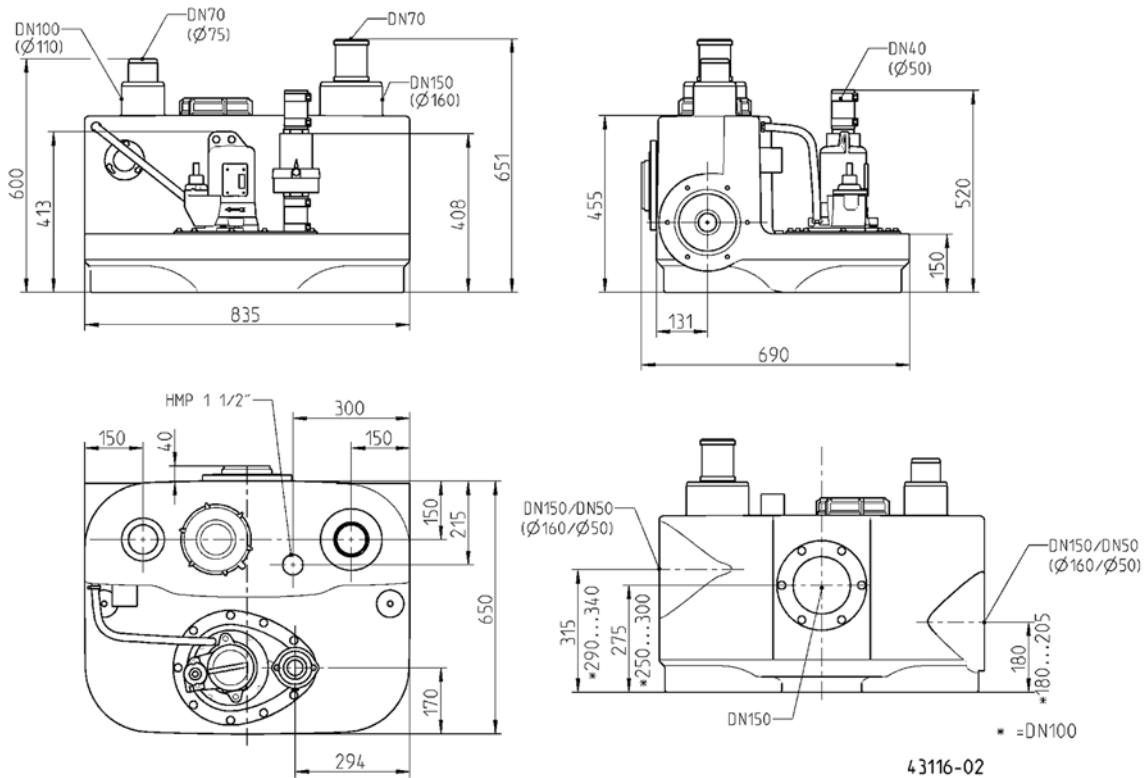
### COMPLI MC

Type	Code No.	Voltage	Motor rating		Current	Plug	Pressure		Tank capacity	Weight
			P1	P2			pipe	outlet		
Compli 108/2 ME	<b>JP50088</b>	1/N/PE~230 V	1.70 kW	1.14 kW	7.5 A	Safety	DN 32	DN 32	38 l	42 kg
Compli 108/2 M	<b>JP50089</b>	3/N/PE~400 V	1.65 kW	1.24 kW	2.8 A	CEE	DN 32	DN 32	38 l	41 kg
Compli 120/2 M	<b>JP50090</b>	3/N/PE~400 V	2.30 kW	1.85 kW	3.9 A	CEE	DN 32	DN 32	38 l	43 kg
Compli 508/2 ME	<b>JP50096</b>	1/N/PE~230 V	1.70 kW	1.14 kW	7.5 A	Safety	DN 40	DN 40	117 l	50 kg
Compli 508/2 M	<b>JP50097</b>	3/N/PE~400 V	1.65 kW	1.24 kW	2.8 A	CEE	DN 40	DN 40	117 l	49 kg
Compli 520/2 M	<b>JP50098</b>	3/N/PE~400 V	2.30 kW	1.85 kW	3.9 A	CEE	DN 40	DN 40	117 l	51 kg
Compli 1008/2 ME	<b>JP50112</b>	1/N/PE~230 V	1.70 kW	1.14 kW	7.5 A	Safety	DN 40	DN 40	117 l	77 kg
Compli 1008/2 M	<b>JP50114</b>	3/N/PE~400 V	1.65 kW	1.24 kW	2.8 A	CEE	DN 40	DN 40	117 l	75 kg
Compli 1020/2 M	<b>JP50115</b>	3/N/PE~400 V	2.30 kW	1.85 kW	3.9 A	CEE	DN 40	DN 40	117 l	79 kg

**Dimensions compli 100 M (mm)**



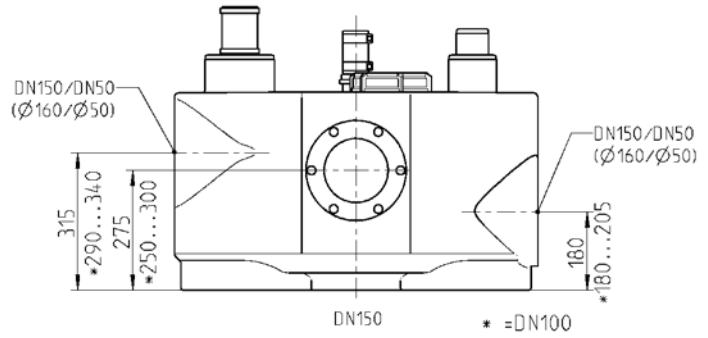
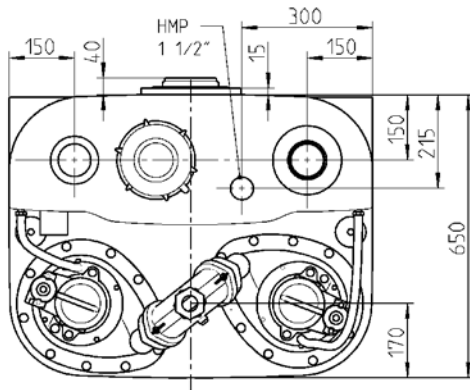
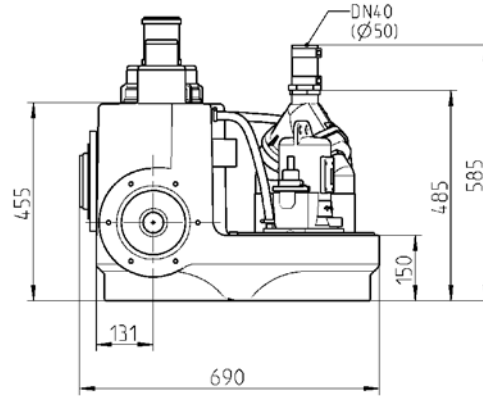
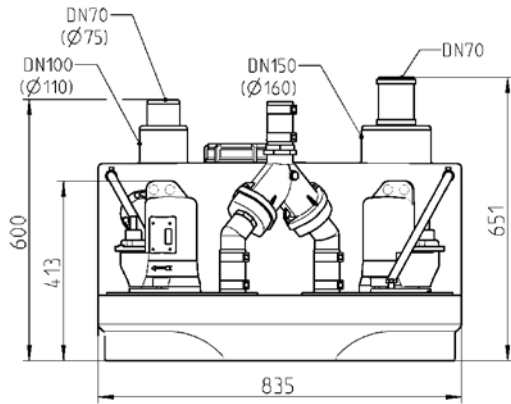
**Dimensions compli 500 M (mm)**



# COMPLI MC

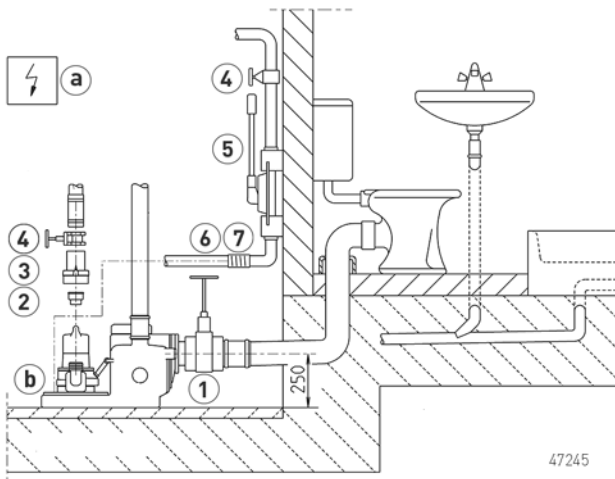
## SEWAGE LIFTING STATIONS WITH MULTICUT CUTTING SYSTEM

### Dimensions compli 1000 M (mm)

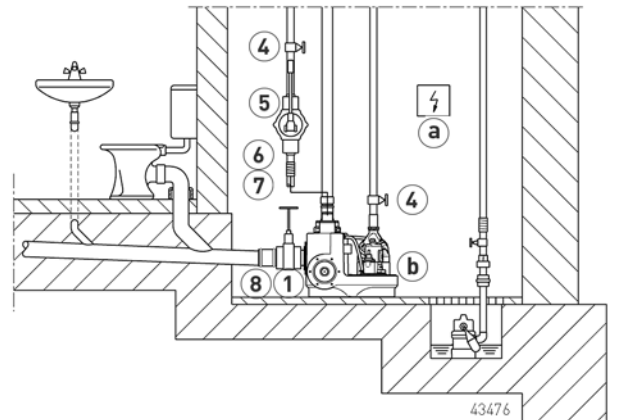


43117-02

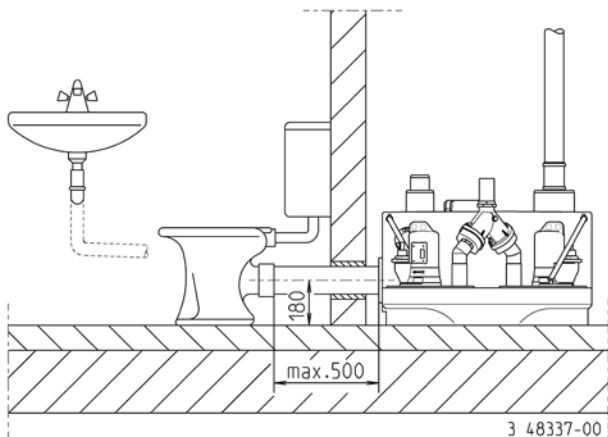
### Example of installation compli 100



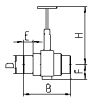

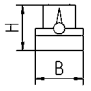
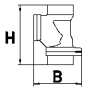
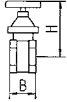

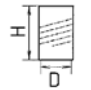

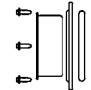
### Example of installation compli 500 / 1000




### Example of installation compli 1000



### MECHANICAL ACCESSORY

			Code No.
	① Inlet gate valve PVC	with two pipe sockets, DN 100, PN1	360x295 (HxW) <span style="float: right;">JP28297</span>
		with two pipe sockets, DN 150, PN2.5	660x450 (HxW) <span style="float: right;">JP28591</span>
	② Reducing socket	1 1/4" - 1 1/2"	JP44769
		1 1/4" - 2"	JP44772
	③ Swing-type check valve	R40 EN 12050-4 1 1/2" (DN 40), PN 4	150x120 (HxB) <span style="float: right;">JP00317</span>
		R50 EN 12050-4 2" (DN 50), PN 4	150x120 (HxB) <span style="float: right;">JP00326</span>
	Ball-type check valve	K50 EN 12050-4 2" (DN 50), PN 6	185x155 (HxB) <span style="float: right;">JP44782</span>
	④ Stop valve	1 1/4" (DN 32), PN 16	110x60 (HxB) <span style="float: right;">JP44785</span>
		brass, 1 1/2" (DN 40), PN 16	125x60 (HxB) <span style="float: right;">JP44786</span>
		brass, 2" (DN 50), PN 16	140x70 (HxB) <span style="float: right;">JP44787</span>
	⑤ Hand diaphragm pump	for emergency purposes (up to H geod 15 m)	640x1 1/2" (HxD) <span style="float: right;">JP00255</span>
	⑥ Elastic connection	1 1/2" (DN 40), PN 4	120x50 (HxD) <span style="float: right;">JP44777</span>
		2" (DN 50), PN 4	150x63 (HxD) <span style="float: right;">JP44775</span>
	⑦ Hose band clamp	1 1/2"	JP44763
		2"	JP44764
	⑧ Closing set	DN 150, required for lateral connection	JP43156



### ELECTRICAL ACCESSORY

			Code No.
	⑨ Rechargeable battery	9 V, for mains independent alarm	JP44850

# COMPLI MC

SEWAGE LIFTING STATIONS WITH MULTICUT CUTTING SYSTEM

## ELECTRICAL ACCESSORY

			Code No.
	<b>b</b> Seal leak detector	DKG	JP44900
	<b>c</b> Smart Home	FTJP radio transmitter	JP47209