



**PUMP TECHNICAL
SERVICES LIMITED**




THE SUBMERSIBLE PUMP SPECIALISTS


MANUFACTURING | SALES | PROJECT DESIGN | INSTALLATION | MAINTENANCE AND REPAIRS

HEBEFIX MINI

EN Instruction Manual



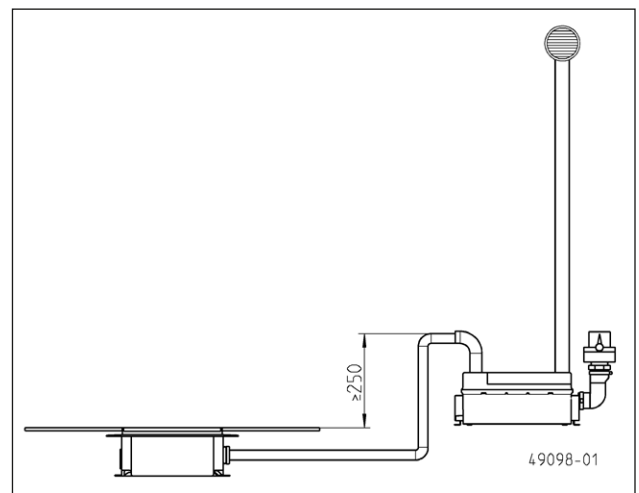
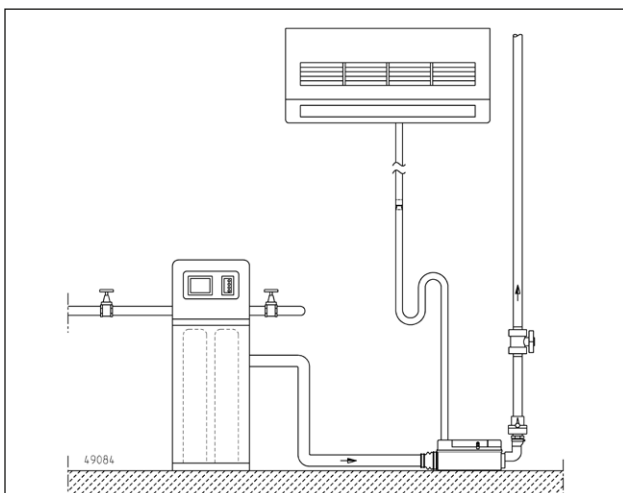
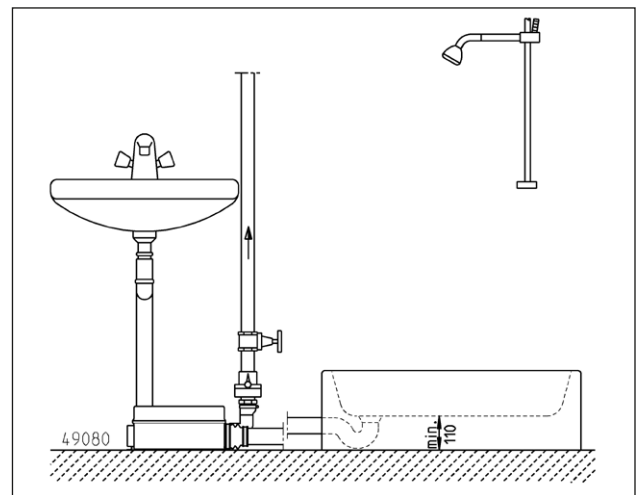
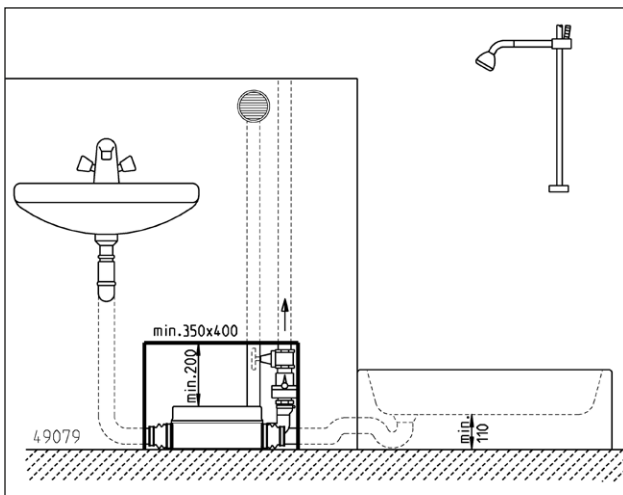
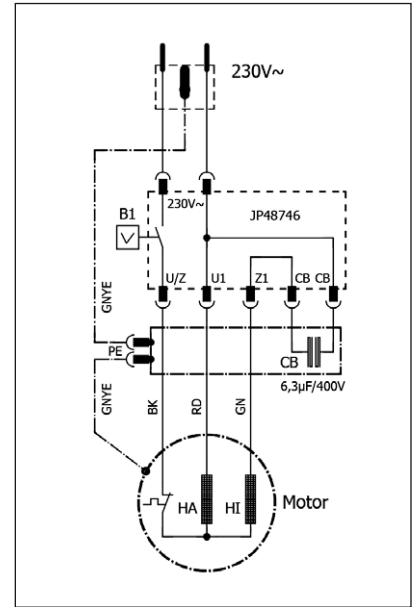
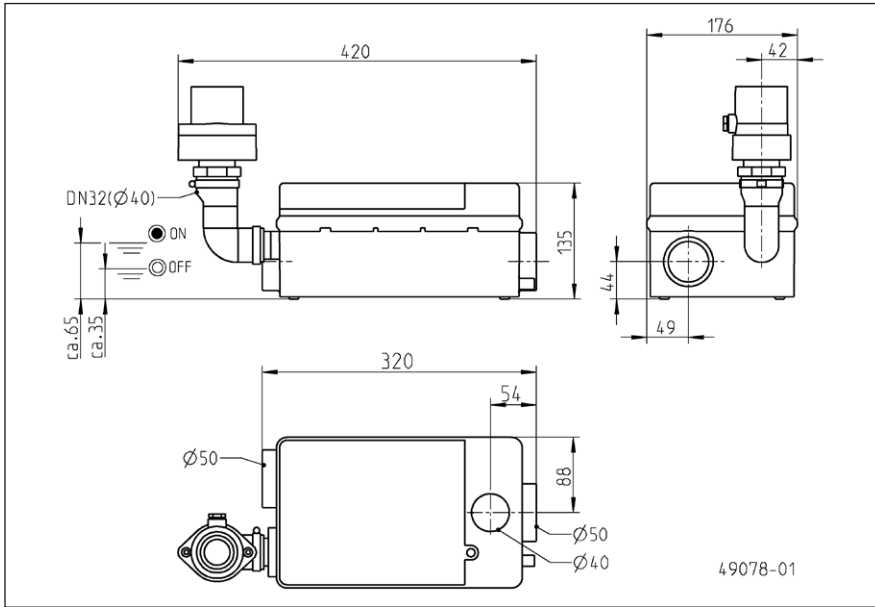
 service@pts-jung.co.uk

 sales@pts-jung.co.uk

Pump House
Unit 12
Bilton Road Industrial Estate
Erith, Kent, DA8 2AN

 01322 357 080

 pts-jung.co.uk



You have purchased a product made by Pentair Jung Pumpen and with it, therefore, also excellent quality and service. Secure this service by carrying out the installation works in accordance with the instructions, so that our product can perform its task to your complete satisfaction. Please remember that damage caused by incorrect installation or handling will adversely affect the guarantee.

This appliance can be used by children aged 8 years or over and by persons with limited physical, sensory or intellectual capabilities, or with limited experience and knowledge, provided that they are supervised or have been instructed in the safe use of the appliance and are aware of the dangers involved. Children must not be allowed to play with the appliance. Cleaning and user maintenance must not be carried out by children unless they are supervised.

If this unit is equipped with a mains connection line without a plug or other means of disconnection from the mains. A complete disconnecting device must be installed on site in the fixed electrical installation in accordance with the installation regulations. A main switch of overvoltage category III can be installed as a complete disconnecting device. If the mains connection cable of this unit is damaged, it must be replaced by the manufacturer or its customer service or a similarly qualified person in order to avoid hazards.

Damage prevention in case of failure

Like any other electrical device, this product may fail due to a lack of mains voltage or a technical defect.

If damage (including consequential damage) can occur as a result of product failure, the following precautions can be taken at your discretion:

- Installation of a water level dependent (under circumstances, mains-independent) alarm system, so that the alarm can be heard before damage occurs.
- Inspection of the collecting tank/chamber for tightness up to the top edge before – or at the latest, during – installation or operation of the product.
- Installation of backflow protection for drainage units that can be damaged by wastewater leakage upon product failure.
- Installation of a further product that can compensate in case of failure of the other product (e.g. duplex unit).
- Installation of an emergency power generator.

As these precautions serve to prevent or minimise consequential damage upon product failure, they are to be strictly observed as the manufacturer's guideline – in line with the standard DIN EN specifications as state of the art – when using the product (Higher Regional Court Frankfurt/Main, Ref.: 2 U 205/11, 06/15/2012).

SAFETY INSTRUCTIONS

This instruction manual contains essential information that must be observed during installation, operation and servicing. It is therefore important that the installer and the responsible technician/operator read this instruction manual before the equipment is installed and put into operation. The manual must always be available at the location where the pump or the

plant is installed.

Failure to observe the safety instructions can lead to the loss of all indemnity.

In this instruction manual, safety information is distinctly labelled with particular symbols. Disregarding this information can be dangerous.



General danger to people



Warning of electrical voltage

NOTICE! Danger to equipment and operation

Qualification and training of personnel

All personnel involved with the operation, servicing, inspection and installation of the equipment must be suitably qualified for this work and must have studied the instruction manual in depth to ensure that they are sufficiently conversant with its contents. The supervision, competence and areas of responsibility of the personnel must be precisely regulated by the operator. If the personnel do not have the necessary skills, they must be instructed and trained accordingly.

Safety-conscious working

The safety instructions in this instruction manual, the existing national regulations regarding accident prevention, and any internal working, operating and safety regulations must be adhered to.

Safety instructions for the operator/user

All legal regulations, local directives and safety regulations must be adhered to.

The possibility of danger due to electrical energy must be prevented.

Leakages of dangerous (e.g. explosive, toxic, hot) substances must be discharged such that no danger to people or the environment occurs. Legal regulations must be observed.

Safety instructions for installation, inspection and maintenance works

As a basic principle, works may only be carried out to the equipment when it is shut down. Pumps or plant that convey harmful substances must be decontaminated.

All safety and protection components must be re-fitted and/or made operational immediately after the works have been completed. Their effectiveness must be checked before restarting, taking into account the current regulations and stipulations.

Unauthorised modifications, manufacture of spare parts

The equipment may only be modified or altered in agreement with the manufacturer. The use of original spare parts and accessories approved by the manufacturer is important for safety reasons. The use of other parts can result in liability for consequential damage being rescinded.

Unauthorised operating methods

The operational safety of the supplied equipment is only guaranteed if the equipment is used for its intended purpose. The limiting values given in the "Technical Data" section may not be exceeded under any circumstances.

Instructions regarding accident prevention

Before commencing servicing or maintenance works, cordon off the working area and check that the lifting gear is in perfect condition.

Never work alone. Always wear a hard hat, safety glasses and safety shoes and, if necessary, a suitable safety belt.

Before carrying out welding works or using electrical devices, check to ensure there is no danger of explosion.

People working in wastewater systems must be vaccinated against the pathogens that may be found there. For the sake of your health, be sure to pay meticulous attention to cleanliness wherever you are working.

Make sure that there are no toxic gases in the working area.

Observe the health and safety at work regulations and make sure that a first-aid kit is to hand.

In some cases, the pump and the pumping medium may be hot and could cause burns.

For installations in areas subject to explosion hazards, special regulations apply!

USE

The HEBEFIX MINI is intended for pumping:

- domestic wastewater from washbasins, showers and bidets
- condensate from gas condensing boilers.
- condensate from refrigeration and air-conditioning units
- backwash water from water softening plants.
- wastewater from dishwashers in tea kitchens (without meal)
- hot water up to 55 °C (temporarily 70 °C).

NOTICE! Do not use the unit to pump wastewater from toilets or urinals!

No more than two drainage fixtures may be connected and these must be installed in the same room.

The HEBEFIX MINI has two connection branches at the side and one at the top for connecting pipes.

When using the unit, the relevant national laws, regulations and local byelaws must be adhered to! E.g.

- Domestic contaminated water and wastewater (EN 12056 in Europe)
- Installation of low voltage systems (e.g. VDE 0100 in Germany)

Temperatures

The temperature of the media pumped and the surroundings must not exceed 55°C. For a short time 70 °C are permissible (S2: 3 min, S3: 15%).

The HEBEFIX MINI is frost-resistant down to -20°C if stored in a dry place. When the unit is installed, however, the residual water in the system must not freeze.

Scope of supply

Hebefix Mini, instruction manual and bag of accessories with non-return valve 1 1/4", nipple 1 1/4"-32/40, closing plug, hose elbow, 2 collars, 2 plug-in seals DN 50, 1 plug-in seal DN 40, 6 hose clamps, 3 wall plugs, 3 screws, 2 wall and 2 floor fixings, activated carbon filter, rubber buffer and 3 washers.

OPERATION

The HEBEFIX MINI has a level controller. The pump is switched on and off automatically depending on the water level.

Unacceptably high temperatures and excessive operating times cause the thermostat to shut down the motor.

WARNING!

Pull the mains plug out of the socket! Then find and rectify the cause of the fault. The unit switches back on automatically when it has cooled down.

ELECTRICAL CONNECTION

WARNING!

Only connect the HEBEFIX MINI to electric circuits that have been installed properly in accordance with the regulations and are fitted with at least a 10 A (delay) fuse and a residual-current circuit breaker (≤ 30 mA).

Only qualified electricians may carry out electrical work on the pump or mains cable.

Observe the operating voltage (see type plate)!

Adhere to the applicable standards (such as EN standards), national regulations (such as VDE in Germany), and the regulations of the local power supply companies!

NOTICE! Never put the mains plug or a free lead end in water! If water gets into the plug, this can cause malfunctions and damage.

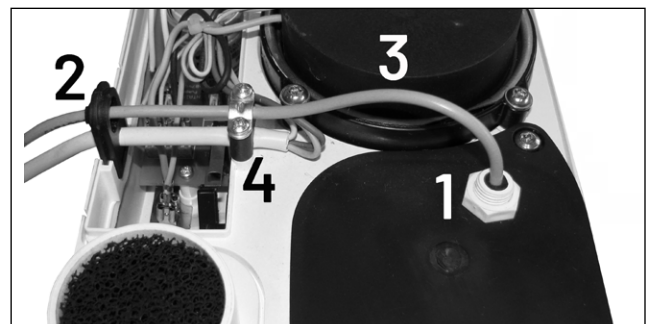
The plug must remain easily accessible, even when in a pre-wall system.

No additional motor protection is required, since the system has an integrated winding thermostat.

Alarm unit (accessory)

The AGR alarm warns against inadmissibly high water levels in the tank. Install the switch in accordance with the instruction manual for the alarm.

1. Drill a hole ($\varnothing 13$) through the maintenance cover at the marked position.
2. Open up the second opening in the cable grommet.
3. Feed the connecting cable into the housing, parallel to the power cable.
4. Feed the connecting cable through the strain relief clamp and tighten the clamp.



INSTALLATION

You can install the HEBEFIX MINI in a pre-wall system or simply use it in the room.

- If you install the unit below the backflow level, then route the pressure pipe in a loop above the locally defined backflow level (EN 12056).
- Fit an odour trap (siphon) to every drainage outlet (EN 12056-2).
- The required check valve (EN 12050-4) for the pressure pipe is included in the scope of supply.

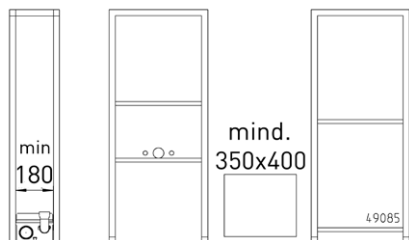
If you wish to mount the unit on a wall, please use the fixing materials supplied. The HEBEFIX MINI must be aligned horizontally.

The HEBEFIX MINI can be combined with all standard pre-wall systems. The important dimensions are shown in the drawing. If you install the unit in a pre-wall system, we recommend that you use the alarm accessory.

An opening measuring at least 350 x 400 mm is required for maintenance of the unit.

NOTICE! The distance between the cover of the unit and the top edge of the opening must be 200 mm. This space is required for removing the pump if a fault occurs or for maintenance purposes.

An installation kit for integrating a frameless inspection flap made of tiles can be ordered as an accessory.



The HEBEFIX MINI has three connection branches for connecting pipes:

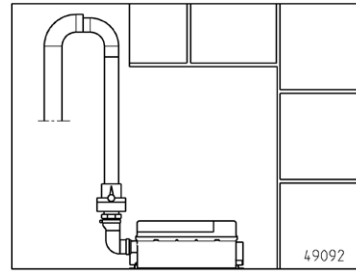
- at the top for external diameter 40 mm
- on the left for external diameter 50 mm
- on the right for external diameter 50 mm

The elastic connection collars provided for the inlet pipes simplify the assembly and are necessary for noise protection reasons. When connecting the inlet pipe from the shower, please ensure that the shower tray is at least 110 mm above the installation surface. This prevents the water that seals the odour trap from mixing with the wastewater in the unit.

It is easier to install the unit and check the connections if you install the lifting station before you clad the pre-wall system.

If you connect the HEBEFIX MINI directly, use the plug-in seals instead of the connection collars.

Pressure pipe



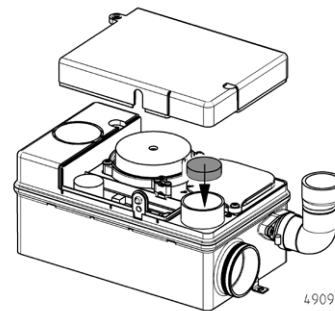
Connect the pressure pipe (min. DN 32, provided by the customer) to the check valve of the HEBEFIX MINI.

Observe the performance limits (technical data) specified by the manufacturer. Any deviations from these will adversely affect the pumping capacity.

Lay the pressure pipe without a gradient. If you do have to lay the pressure pipe to the discharge location at a gradient, switch to a larger diameter pipe at the high point. This will prevent any suction lifting, which could otherwise cause malfunctions.

Tank ventilation

NOTICE! Tank ventilation is essential for the proper functioning of the system.



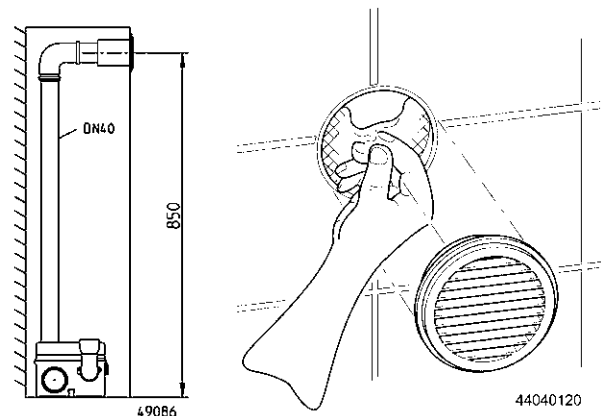
Before setting the unit in operation

Remove the film from the activated carbon filter and place the filter in the vent under the cover.

If venting above roof level or venting into the room (accessory), the activated carbon filter is not required and the pre-punched corner of

the cover must be removed. A vent pipe (provided by the customer) can then be connected.

If the unit is installed in a pre-wall system, it must be vented above roof level or into the room. The vent pipe prevents moist air from the tank from escaping into the pre-wall and causing undetected mould growth or moisture damage there.



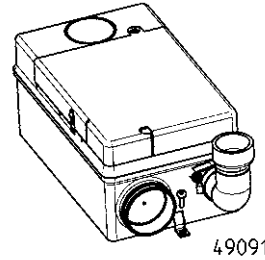
Accessory for venting into the room

1. Remove the pre-punched corner of the cover.
2. Connect the DN40 vent pipe (provided by the customer).

The accessories include a circular activated carbon filter, which minimises the odour when ventilating into the room. Maintenance and replacement of the filter takes place from the outside, via the ventilation grille.

NOTICE! Before inserting a new activated carbon filter, the film must be removed.

NOTICE! All hose clamp connections must be tightly fitted.

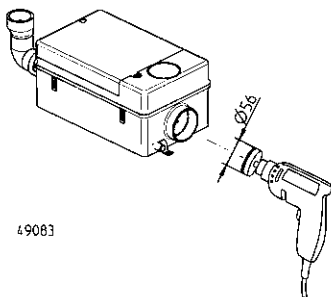


5. Secure the Hebefix Mini against buoyancy and to prevent twisting! Screw the unit firmly to the floor with the provided fasteners.

MOUNTING

Prepare the installation area for the system and install the inlet pipes, the pressure pipe and the vent.

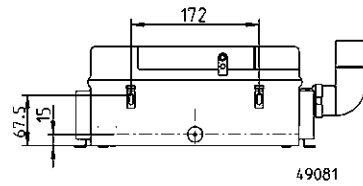
1. Use a hole saw ($\varnothing 56$) to open up the connection branches for the sanitary fixtures to be drained.



2. Deburr the edges of the hole.

NOTICE! The piece cut out for the hole must not be left in the tank.

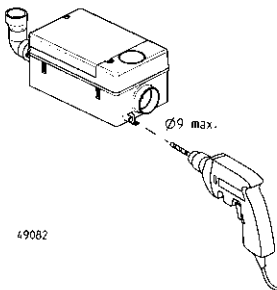
Wall mounting



Wall mounting is possible for both of the long sides of the tank.

1. Screw the two brackets to the wall with a spacing of 172 mm. Use the drilling template provided on the last page of this manual.
2. Use the elongated holes to align the unit horizontally.
3. Position the rubber spacer below and midway between the two brackets and screw it to the wall.
4. Lift the HEBEFIX MINI into place with its slots over the brackets.
5. Adjust its position slightly if necessary.

Emergency drainage

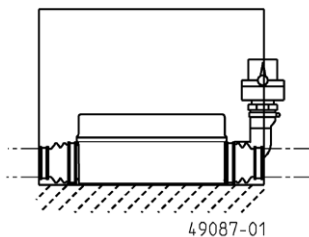


For emergency drainage purposes, you can install a length of garden hose at the bottom right of the tank to drain away the water accumulated in the tank.

1. Drill open the $\varnothing 13$ branch at the bottom of the tank with a twist drill (maximum $\varnothing 9$).
2. Push the hose onto the branch.

3. Secure it with a hose clamp (tightening moment: 1.5 Nm). Make sure that the outlet end of the hose is securely sealed.

Installation in a pre-wall



1. Fix the DN 50 connection collars onto the inlet pipes using the hose clamps.
2. Attach the connection collars to the tank inlet branches with the hose clamps.
3. Connect the outlet elbow to the pressure outlet of the unit.

4. Install the non-return valve between elbow and pressure pipe.

MAINTENANCE

WARNING!

Before you carry out any work on the unit, always pull the mains plug out of the socket!

The HEBEFIX MINI requires very little maintenance if used properly and for its intended purpose. Nevertheless, the system should be checked at least once a year to ensure that all of the connections are tightly sealed and to remove any deposits in the tank.

If the activated carbon filter is used, we recommend that you change this once a year, or immediately if unpleasant odours occur.

Clearing blockages in the case of a malfunction

1. If a hose has been installed for emergency drainage, you can drain the accumulated water from the tank into a flat container and then seal the end of the hose again.
2. Unscrew the cover.
3. Open the maintenance cover, which is now visible.
4. The float switch inside the unit must be clean and able to move freely. If necessary, clean the inside of the unit and the suction area below the pump.
5. The ball in the vent must be able to move freely. If necessary, remove the rubber sealing plug and clean the vent pipe.
6. Reattach both of the lids and carry out a test to make sure that the system operates properly.

If the malfunction persists, please call customer service.

TECHNICAL DATA

Weight: 3.9 kg

Pressure pipe branch: DN 32

Motor rating: P1 220 W

Voltage: 1/N/PEx230 V

Frequency: 50 Hz

Rated current: 1 A

Housing protection rating: IP 44

Noise level: 70 dB(A)

Pre-fuse: min. 10A (delay)

Type of operation:

- S1: T_{\max} 55 °C;
- S2: T_{\max} 70 °C, 3 min;
- S3: T_{\max} 70 °C, 15%

Pump performance

H [m]	1	2	3	4	5
Q [m ³ /h]	4.3	3.9	3.4	2.2	0.5

EU-Konformitätserklärung
EU-Prohlášení o shodě
EU-Overensstemmelseserklæring
EU-Declaration of Conformity
EU-Vaatumustenmukaisuusvakuutus

EU-Déclaration de Conformité
EU-Megfelelőségi nyilatkozat
EU-Dichiarazione di conformità
EU-Conformiteitsverklaring
EU-Deklaracja zgodności

EU-Declarație de conformitate
EU-Vyhlasenie o zhode
EU-Försäkran om överensstämmelse

DE - Richtlinien - Harmonisierte Normen
CS - Směrnice - Harmonizované normy
DA - Direktiv - Harmoniseret standard
EN - Directives - Harmonised standards
FI - Direktiivi - Yhdenmukaistettu standardi

FR - Directives - Normes harmonisées
HU - Irányelve - Harmonizált szabványok
IT - Direttive - Norme armonizzate
NL - Richtlijnen - Geharmoniseerde normen
PL - Dyrektywy - Normy zharmonizowane

RO - Directivă - Norme coroborate
SK - Smernice - Harmonizované normy
SV - Direktiv - Harmoniserade normer

• **2006/42/EG (MD)**
• **2011/65/EU (RoHS)**
• **2014/30/EU (EMC)**

EN 809:1998/AC:2010, EN ISO 12100:2010, EN 60335-1: 2012/A13:2017

EN 55014-1: 2017/A11:2020, EN 55014-2:1997/A2:2008, EN 61000-3-2:2014, EN 61000-3-3:2013

JUNG PUMPEN GmbH - Industriestr. 4-6 - 33803 Steinhagen - Germany - www.jung-pumpen.de

DE - Wir erklären in alleiniger Verantwortung, dass das Produkt den aufgeführten Richtlinien entspricht.
CS - Prohlašujeme na svou výlučnou odpovědnost, že výrobek odpovídá jmenovaným směrnici.
DA - Vi erklærer under ansvar at produktet i overensstemmelse med de retningslinjer
EN - We hereby declare, under our sole responsibility, that the product is in accordance with the specified Directives.
FI - Me vakuutamme omalla vastuullamme, että tuote täyttää ohjeita.
FR - Nous déclarons sous notre propre responsabilité que le produit répond aux directives.
HU - Kizárólagos felelősségünk tudatában kijelentjük, hogy ez a termék megfelel az Európai Unió fentnevezett irányelveinek.
IT - Noi dichiariamo sotto la nostra esclusiva responsabilità che il prodotto è conforme alle direttive citate
NL - Wij verklaren geheel onder eigen verantwoordelijkheid dat het product voldoet aan de gestelde richtlijnen.
PL - Z pełną odpowiedzialnością oświadczamy, że produkt odpowiada postanowieniom wymienionych dyrektyw.
RO - Declarăm pe proprie răspundere că produsul corespunde normelor prevăzute de directivele mai sus menționate.
SV - Vi försäkrar att produkten på vårt ansvar är utförd enligt gällande riktlinjer.
SK - Na výlučnú zodpovednosť vyhlasujeme, že výrobok spĺňa požiadavky uvedených smerníc.

Hebefix Plus (JP44544)

Hebefix Mini (JP48727)

Hebefix Extra (JP45757)

DE - Weitere normative Dokumente CS - Jinými normatívnými dokumenty DA - Andre normative dokumenter EN - Other normative documents FI - Muiden normien FR - Autres documents normatifs HU - Egyéb szabályozó dokumentumokban leírtaknak IT - Altri documenti normativi NL - Verdere normatieve documenten PL - Innymi dokumentami normatywnymi RO - Alte acte normative SK - Iným záväzným dokumentom SV - Vidare normerande dokument:

EN 60335-2-41:2021/A11:2021

EN 62233:2008/AC2008


VDE GS 40050125 (Hebefix mini)

EMC-VDE 40049854 (Hebefix mini)

DE - Bevollmächtigter für technische Dokumentation CS - Oprávněná osoba pro technickou dokumentaci DA - Autoriseret person for teknisk dokumentation EN - Authorized person for technical documentation FI - Valtuutettu henkilö tekninen dokumentaatio FR - Personne autorisée à la documentation technique HU - Hivatalos személy műszaki dokumentáció IT - Persona abilitata per la documentazione tecnica NL - Bevoegd persoon voor technische documentatie PL - Pełnomocnik ds. dokumentacji technicznej RO - Persoană autorizată pentru documentație tehnică SK - Oprávněná osoba pro technickou dokumentaci SV - Auktoriserad person för teknisk dokumentation:

JUNG PUMPEN - Stefan Sirges - Industriestr. 4-6 - 33803 Steinhagen

Steinhagen, 22-09-2022


Stefan Sirges, General Manager

i.V. 
Pascal Köhlerbeck, Sales Manager



UKCA-Declaration of Conformity

Legislation - Designated Standards

- **Supply of Machinery (Safety) Regulations 2008 (MD)** EN 809:1998/AC:2010, EN ISO 12100:2010, EN 60335-1: 2012/A13:2017
- **The Restriction of the Use of Certain Hazardous Substance in Electrical and Electronic Equipment Regulations 2012 (RoHS)**
- **Electromagnetic Compatibility Regulations 2016 (EMC)** EN 55014-1: 2017/A11:2020, EN 55014-2:1997/A2:2008, EN 61000-3-2:2014, EN 61000-3-3:2013

Name and address of the manufacturer: JUNG PUMPEN GmbH - Industriestr. 4-6 - 33803 Steinhagen - Germany - www.jung-pumpen.de

We hereby declare, under our sole responsibility, that the product is in accordance with the specified Legislation.

Hebefix Plus GB (JP48428) **Hebefix Mini** (JP50705)
Hebefix Extra GB (JP48429)

Other normative documents:

EN 60335-2-41:2003/A2:2010

BS 1363-1

VDE GS 40050125 (Hebefix mini)

EMC-VDE 40049854 (Hebefix mini)

Authorized person for technical documentation

JUNG PUMPEN - Stefan Sirges - Industriestr. 4-6 - 33804 Steinhagen


Steinhagen, 30-09-2022




Stefan Sirges, General Manager




i.V. Pascal Kölkebeck, Sales Manager

 0197	
JUNG PUMPEN GmbH - Industriestr. 4-6 33803 Steinhagen, Germany 13 460.17.2209	
EN 12050-2:2001; 2015 Abwasserhebeanlage für fäkalienfreies Abwasser DN 32	
HEBEFIX EXTRA (JP44544) HEBEFIX EXTRA (JP45757) HEBEFIX MINI (JP48727)	
Sammeln und automatisches Heben von fäkalienfreiem Abwasser innerhalb und außerhalb von Gebäuden über die Rückstauenebene	


BRANDVERHALTEN	NPD
WASSERDICHTHEIT	Bestanden
WIRKSAMKEIT (HEBEWIRKUNG)	
- Förderung von Feststoffen	Bestanden
- Rohranschlüsse	Bestanden
- Mindestmaße von Lüftungsleitungen	Bestanden
- Mindestfließgeschwindigkeit	Bestanden
- Freier Mindestdurchgang der Anlage	Bestanden
- Mindestnutzvolumen	Bestanden
MECHANISCHE FESTIGKEIT	
- Tragfähigkeit und strukturelle Stabilität des Sammelbehälters für die Verwendung außerhalb von Gebäuden	NPD
- Strukturelle Stabilität des Sammelbehälters für die Verwendung innerhalb von Gebäuden	Bestanden
GERÄUSCHPEGEL	70 dB(A)
DAUERHAFTIGKEIT	
- der Wasserdichtheit und Luftdichtheit	Bestanden
- der Hebewirkung	Bestanden
- der mechanischen Festigkeit	Bestanden
GEFÄHRLICHE SUBSTANZEN	NPD

 0197	
JUNG PUMPEN GmbH - Industriestr. 4-6 33803 Steinhagen, Germany 13 460.17.2209	
EN 12050-2:2001; 2015 Lifting plant for faecal-free wastewater DN 32	
HEBEFIX EXTRA UK (JP48428) HEBEFIX EXTRA UK (JP48429) HEBEFIX MINI (JP50705)	
Collecting and automatically lifting faecal-free waste water above the backflow level in buildings and sites	


REACTION TO FIRE	NPD
WATERTIGHTNESS	Pass
EFFECTIVENESS (LIFTING EFFECTIVENESS)	
- Pumping of solids	Pass
- Pipe connections	Pass
- Ventilation	Pass
- Minimum flow velocity	Pass
- Minimum free passage of the plant	Pass
- Minimum useful volume	Pass
MECHANICAL RESISTANCE	
- Load bearing capacity and structural stability of collection tank for use outside buildings	NPD
- Structural stability of collection tank for use inside buildings	Pass
NOISE LEVEL	70 dB(A)
DURABILITY	
- of structural stability	Pass
- of lifting effectiveness	Pass
- of mechanical resistance	Pass
DANGEROUS SUBSTANCES	NPD

 0197	
JUNG PUMPEN GmbH - Industriestr. 4-6 33803 Steinhagen, Germany 13 460.17.2209	
EN 12050-2:2001; 2015 Station de relevage pour effluents exempts de matières fécales DN 32	
HEBEFIX EXTRA(JP44544) HEBEFIX EXTRA(JP45757) HEBEFIX MINI (JP48727)	
Collecte et relevage des eaux usées exemptes de matières fécales à l'intérieur et à l'extérieur des bâtiments au-dessus du niveau de refoulement	


RÉACTION AU FEU	NPD
ÉTANCHÉITÉ À L'EAU	satisfaisant
EFFICACITÉ (PERFORMANCE DE RELEVAGE) - Refoulement de matières solides - Raccords de tuyaux - Aération - Débit minimum - Passage libre minimal de l'installation - Volume utile minimal	satisfaisant satisfaisant satisfaisant satisfaisant satisfaisant satisfaisant
RÉSISTANCE MÉCANIQUE - Capacité de charge et stabilité structurelle du collecteur pour une utilisation à l'extérieur des bâtiments - Stabilité structurelle du collecteur pour une utilisation à l'intérieur des bâtiments	NPD satisfaisant
NIVEAU SONORE	70 dB(A)
RÉSISTANCE - de la stabilité structurelle - de la performance de relevage - de la résistance mécanique	satisfaisant satisfaisant satisfaisant
SUBSTANCES DANGEREUSES	NPD

 0197	
JUNG PUMPEN GmbH - Industriestr. 4-6 33803 Steinhagen, Germany 13 460.17.2209	
EN 12050-2:2001; 2015 Afvalwaterpompinstallatie voor afvalwater zonder fecaliën DN 32	
HEBEFIX EXTRA(JP44544) HEBEFIX EXTRA(JP45757) HEBEFIX MINI (JP48727)	
Verzamelen en automatisch pompen van afvalwater zonder fecaliën binnen en buiten gebouwen boven het terugstuwniveau	

BRANDGEDRAG	NPD
WATERDICHTHEID	succesvol
RENDEMENT (POMPWERKING) - Transport van vaste stoffen - Buisaansluitingen - Verlichtingsleidingen - Minimum doorstromingssnelheid - Minimum vrije doorgang van de installatie - Minimum nuttig volume	succesvol succesvol succesvol succesvol succesvol succesvol
MECHANISCHE VASTHEID - Draagkracht en structurele stabiliteit van de verzamelcontainer voor het gebruik buiten gebouwen - Structurele stabiliteit van de verzamelcontainer voor het gebruik binnenin gebouwen	NPD succesvol
GELUIDSNIVEAU	70 dB(A)
DUURZAAMHEID - van de structurele stabiliteit - van de pompwerking - van de mechanische vastheid	succesvol succesvol succesvol
GEVAARLIJKE STOFFEN	NPD

 0197	
JUNG PUMPEN GmbH - Industriestr. 4-6 33803 Steinhagen, Germany 13 460.17.2209	
EN 12050-2:2001; 2015 Stazione di sollevamento per acque di scarico prive di sostanze fecali DN 32	
HEBEFIX EXTRA(JP44544) HEBEFIX EXTRA(JP45757) HEBEFIX MINI (JP48727)	
Raccolta e sollevamento automatico di acque reflue prive di sostanze fecali all'interno o all'esterno di edifici sopra il livello di ristagno	

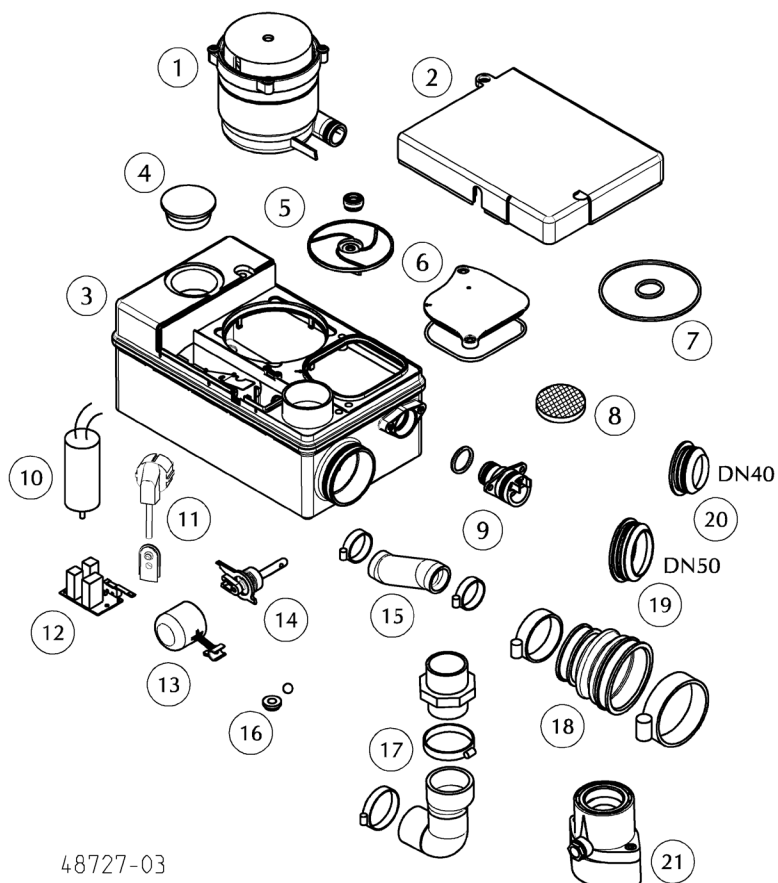
INFIAMMABILITÀ	NPD
IMPERMEABILITÀ	Superata
EFFICACIA (CAPACITÀ DI SOLLEVAMENTO) - Pompaggio di materiali solidi - Collegamenti al tubo - Ventilazione - Velocità di scorrimento minima - Passaggio libero minimo dell'impianto - Volume utile minimo	Superata Superata Superata Superata Superata Superata
RESISTENZA MECCANICA - Capacità di carico e stabilità strutturale del serbatoio di raccolta per l'uso al di fuori degli edifici - Stabilità strutturale del serbatoio di raccolta per l'uso all'interno degli edifici.	NPD Superata
SOGLIA DI RUMOROSITÀ	70 dB(A)
DUREVOLEZZA - della stabilità strutturale - della capacità di sollevamento - della resistenza meccanica	Superata Superata Superata
SOSTANZE PERICOLOSE	NPD

 0197	
JUNG PUMPEN GmbH - Industriestr. 4-6 33803 Steinhagen, Germa- ny 13 460.17.2209	
EN 12050-2:2001; 2015 Urządzenie do przetwarzania ścieków bez fekalii DN 32	
HEBEFIX PLUS(JP44544) HEBEFIX EXTRA(JP45757) HEBEFIX MINI (JP48727)	
Zbieranie i automatyczne przepompowywanie ścieków fekalnych wewnątrz budynków i poza nimi powyżej poziomu cofki	

WŁAŚCIWOŚCI OGNIOWE	NPD
Szczelność wodna	Pozytywnie
SPRAWNOŚĆ DZIAŁANIA (SKUTECZNOŚĆ TŁOCZENIA) - Tłoczenie substancji stałych - Przyłącza rurowe - Wentylacja - Minimalna prędkość przepływu - Minimalna, swobodna przepustowość instalacji - Minimalna objętość użytkowa	Pozytywnie Pozytywnie Pozytywnie Pozytywnie Pozytywnie Pozytywnie
WYTRZYMAŁOŚĆ MECHANICZNA - Nośność i stabilność konstrukcyjna zbiornika podczas stosowania poza budynkami - Nośność i stabilność konstrukcyjna zbiornika podczas stosowania w budynkach	NPD Pozytywnie
POZIOM HAŁASU	70 dB(A)
TRWAŁOŚĆ I WYTRZYMAŁOŚĆ - stabilność konstrukcyjna - skuteczność tłoczenia - wytrzymałość mechaniczna	Pozytywnie Pozytywnie Pozytywnie
SUBSTANCJE NIEBEZPIECZNE	NPD

HEBEFIX MINI

Ersatzteile - Spare parts - Pièces de rechange - Reserveonderdelen - Parti di ricambio - Reservedele - Reservdelar
 Varaosat - Części zamienne - Náhradní díly - Alkatrészek - Piese de schimb - Запасные части - 备件



48727-03

①	Motor	Motor	JP50193
②	Abdeckung	Cover	JP50182
③	Behälter	Tank	JP50186
④	Stopfen	Plug	JP50201
⑤	Lauftrad	Impeller	JP50192
⑥	Wartungsdeckel	Service cover	JP50189
⑦	Dichtungssatz	Seal set	JP50198
⑧	Aktivkohlefilter	Act. carbon filter	JP47542
⑨	Druckabgang	Pressure outlet	JP50184
⑩	Kondensator	Capacitor	JP50197
⑪	Anschlusskabel	Mains cable	JP50196
⑫	Platine	Control board	JP50183
⑬	Schwimmer	Float	JP45598
⑭	Schaltwelle	Switch shaft	JP50195
⑮	Krümmen	Elbow	JP50188
⑯	Lüftung	Ventilation	JP50202
⑰	Schlauchkrümmer	Outlet elbow	JP50185
⑱	Manschette	Collar	JP45100
⑲	Steckdichtung	Plug in seal DN 50	JP45099
⑳	Steckdichtung	Plug in seal DN 40	JP45098
㉑	Rückschlagklappe	Check valve	JP09739



**PUMP TECHNICAL
SERVICES LIMITED**



THE SUBMERSIBLE PUMP SPECIALISTS

✉ service@pts-jung.co.uk

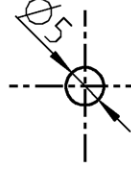
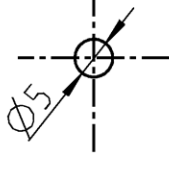
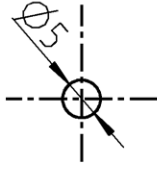
✉ sales@pts-jung.co.uk

Pump House
Unit 12
Bilton Road Industrial Estate
Erith, Kent, DA8 2AN

☎ 01322 357 080

🌐 pts-jung.co.uk

ACHTUNG! Bohrschablone beim Ausdrucken **nicht** verkleinern oder anpassen!
ATTENTION! Do **not** reduce or adapt the size of the drilling template when printing it out!
ATTENTION! Ne pas réduire **ni** adapter le gabarit de perçage lors de l'impression !
ATTENTIE! De boorsjabloon tijdens het printen **niet** verkleinen of aanpassen!
ATTENZIONE! Non ridurre o modificare la maschera di foratura in fase di stampa!
UWAGA! Nie zmniejszać ani nie dopasowywać szablonu otworów wierconych przy wydruku!



Untere Behälterkante - Lower tank edge