



**PUMP TECHNICAL  
SERVICES LIMITED**



**THE SUBMERSIBLE PUMP SPECIALISTS**


MANUFACTURING | SALES | PROJECT DESIGN | INSTALLATION | MAINTENANCE AND REPAIRS


## MULTISTREAM

10/2 A1	15/2 A1	25/2 A2	35/2 A2	25/2 B1	35/2 B2
10/4 B1	15/4 B3	25/4 B4	35/4 B4	25/4 C1	35/4 C1
10/2 A1 EX	15/2 A1 EX	25/2 A2 EX	35/2 A2 EX	25/2 B1 EX	35/2 B2 EX
10/4 B1 EX	15/4 B3 EX	25/4 B4 EX	35/4 B4 EX	25/4 C1 EX	35/4 C1 EX
UC 25/4 C1	UC 35/2 B2	UC 35/4 C1			

EN Instruction Manual



 [service@pts-jung.co.uk](mailto:service@pts-jung.co.uk)

 [sales@pts-jung.co.uk](mailto:sales@pts-jung.co.uk)

Pump House  
Unit 12  
Bilton Road Industrial Estate  
Erith, Kent, DA8 2AN

 01322 357 080

 [pts-jung.co.uk](http://pts-jung.co.uk)

---

You have purchased a product made by Pentair Jung Pumpen and with it, therefore, also excellent quality and service. Secure this service by carrying out the installation works in accordance with the instructions, so that our product can perform its task to your complete satisfaction. Please remember that damage caused by incorrect installation or handling will adversely affect the guarantee. Therefore please adhere to the instructions in this manual!

This appliance can be used by children aged 8 years or over and by persons with limited physical, sensory or intellectual capabilities, or with limited experience and knowledge, provided that they are supervised or have been instructed in the safe use of the appliance and are aware of the dangers involved. Children must not be allowed to play with the appliance. Cleaning and user maintenance must not be carried out by children unless they are supervised.

**Damage prevention in case of failure**

Like any other electrical device, this product may fail due to a lack of mains voltage or a technical defect.

If damage (including consequential damage) can occur as a result of product failure, the following precautions can be taken at your discretion:

- Installation of a water level dependent (under circumstances, mains-independent) alarm system, so that the alarm can be heard before damage occurs.
- Inspection of the collecting tank/chamber for tightness up to the top edge before – or at the latest, during – installation or operation of the product.
- Installation of backflow protection for drainage units that can be damaged by wastewater leakage upon product failure.
- Installation of a further product that can compensate in case of failure of the other product (e.g. duplex unit).
- Installation of an emergency power generator.

As these precautions serve to prevent or minimise consequential damage upon product failure, they are to be strictly observed as the manufacturer’s guideline – in line with the standard DIN EN specifications as state of the art – when using the product (Higher Regional Court Frankfurt/Main, Ref.: 2 U 205/11, 06/15/2012).

## SAFETY INSTRUCTIONS

This instruction manual contains essential information that must be observed during installation, operation and servicing. It is therefore important that the installer and the responsible technician/operator read this instruction manual before the equipment is installed and put into operation. The manual must always be available at the location where the pump or the plant is installed.

Failure to observe the safety instructions can lead to the loss of all indemnity.

In this instruction manual, safety information is distinctly labelled with particular symbols. Disregarding this information can be dangerous.



General danger to people!



Warning of electrical voltage!

**NOTICE!** Danger to equipment and operation!

**Qualification and training of personnel**

All personnel involved with the operation, servicing, inspection and installation of the equipment must be suitably qualified for this work and must have studied the instruction manual in depth to ensure that they are sufficiently conversant with its contents. The supervision, competence and areas of responsibility of the personnel must be precisely regulated by the operator. If the personnel do not have the necessary skills, they must be instructed and trained accordingly.

**Safety-conscious working**

The safety instructions in this instruction manual, the existing national regulations regarding accident prevention, and any internal working, operating and safety regulations must be adhered to.

**Safety instructions for the operator/user**

All legal regulations, local directives and safety regulations must be adhered to.

The possibility of danger due to electrical energy must be prevented. Leakages of dangerous (e.g. explosive, toxic, hot) substances must be discharged such that no danger to people or the environment occurs. Legal regulations must be observed.

**Safety instructions for installation, inspection and maintenance works**

As a basic principle, works may only be carried out to the equipment when it is shut down. Pumps or plant that convey harmful substances must be decontaminated.

All safety and protection components must be re-fitted and/or made operational immediately after the works have been completed. Their effectiveness must be checked before restarting, taking into account the current regulations and stipulations.

**Unauthorised modifications, manufacture of spare parts**

The equipment may only be modified or altered in agreement with the manufacturer. The use of original spare parts and accessories approved by the manufacturer is important for safety reasons. The use of other parts can result in liability for consequential damage being rescinded.

**Unauthorised operating methods**

The operational safety of the supplied equipment is only guaranteed if the equipment is used for its intended purpose. The limiting values given in the "Technical Data" section may not be exceeded under any circumstances.

**Instructions regarding accident prevention**

Before commencing servicing or maintenance works, cordon off the working area and check that the lifting gear is in perfect condition.

Never work alone. Always wear a hard hat, safety glasses and safety shoes and, if necessary, a suitable safety belt.

Before carrying out welding works or using electrical devices, check to ensure there is no danger of explosion.

People working in wastewater systems must be vaccinated against the pathogens that may be found there. For the sake of your health, be sure to pay meticulous attention to cleanliness wherever you are working.

Make sure that there are no toxic gases in the working area.

Observe the health and safety at work regulations and make sure that a first-aid kit is to hand.

In some cases, the pump and the pumping medium may be hot and could cause burns.

For installations in areas subject to explosion hazards, special regulations apply!

## AREAS OF APPLICATION

Submersible pumps in the MultiStream range are suitable for pumping wastewater in municipal and industrial pumping stations, and in rainwater retention tanks. The smallest models also perform well in disaster control applications.

MultiStream pumps are favoured for use with:

- wastewater containing fibres
- wastewater containing solids (without stones)
- mixed wastewater
- untreated water
- raw sludge
- surface water and rainwater

The submersible pumps are supplied without explosion protection or with explosion protection.

When using the pumps, the relevant national laws, regulations and stipulations must be adhered to, for example:

- Installation of low-voltage systems (e.g., VDE 0100 in Germany)
- Safety and working materials (e.g., BetrSichV and BGR 500 in Germany)
- Safety in wastewater systems (e.g., GUV-V C5, GUV-R 104 and GUV-R 126 in Germany)
- Electrical systems and operating resources (e.g., GUV-V A3 in Germany)
- Explosion protection  
EN 60079-0, EN 60079-1 and EN 1127-1.

For non-standard utilisation conditions in areas subject to explosion hazards, please ask the local authority responsible.

In Germany, this would be, for example, the Trade Supervisory Centre (Gewerbeaufsicht), the Technical Inspection Agency (TÜV), the building authority (Bauamt) or professional organisation (Berufsgenossenschaft).

The installation and operation of this equipment is regulated by the ordinance concerning the protection of health and safety in the provision of work equipment and its use at work, concerning safety when operating installations subject to monitoring, and concerning the organisation of industrial health and safety at work, (Betriebssicherheitsverordnung), Article 1.

Where no explosion protection is stipulated for the pumping of foul wastewater at the installation location, pumps without explosion protection may also be used.

### Modes of operation

with the pumped medium at a temperature of 40°C:

- Motor submersed: continuous operation S1;
- Motor emerged: short duration operation S2;
- see "Technical Data"
- Motor emerged: intermittent operation S3;
- see "Technical Data"

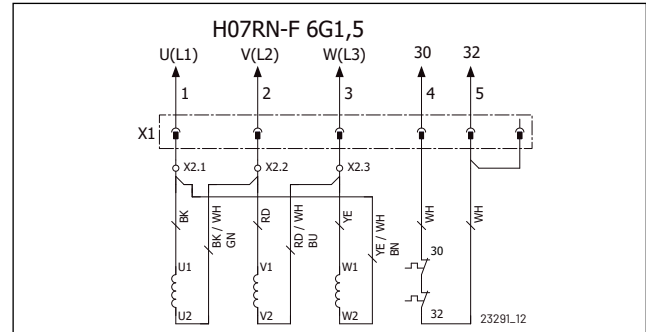
The submersible pump is frost-resistant down to -20°C when stored in dry conditions. When installed, however, it must not be allowed to freeze in the water.

### Transport

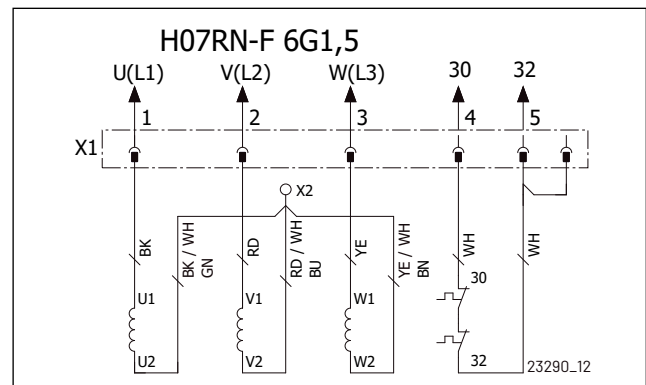
The pump must always be lifted by the shackle and never by the power supply cable! The pump should only be lowered by using a rope or chain.

## ELECTRICAL CONNECTION

Δ-Circuitry, low voltage



Y-Circuitry, high voltage



Alterations to the circuitry are to be made using crimp connectors (X) between the conical plug connection (Y) and the built-in motor. The new crimp connection must be professionally made.

By using our controls, you can be sure that the requirements of the EU-type-testing certificate are met.

**NOTICE!** Only qualified electricians may carry out electrical works to the pump or the controls.

**NOTICE!** The standards applicable in each case (e.g. EN), the country-specific regulations (e.g. VDE in Germany), and the regulations of the local supply network operator must be observed.

**NOTICE!** Never lay the end of cables in water! Penetrating water may cause malfunctions.

Only slow-blow fuses or automatic fuses with C or D characteristics are to be used as pre-fuses for the pump. Necessary fuse protection for direct on-line start: 10 A.

The pump must be protected via an overload trip. Setting for direct on-line start = nominal current.

If the protective device has been triggered, the cause of the malfunction must be eliminated before switching on again.

### Coil thermostats

**NOTICE!** In addition to the overload trip or protective switch of the motor, the thermostats integrated in the motor winding must also be connected. The thermostats are suitable for 250 V / 1.2 A (cos phi = 0.6) and are labelled 30 and 32 for connection purposes.

### Thermostat connection without explosion protection

The thermostats are to be connected in such a way that the motor is switched off via the control circuit when the response temperature is reached. The motor is switched on again automatically after the winding has cooled down.

### Thermostat connection with explosion protection

The thermostats are to be connected in such a way that the motor is switched off via the control circuit when the response temperature is reached. It must not be possible for the motor to switch on again automatically after the winding has cooled down.

#### **WARNING!**

After an automatic cut-out via the temperature limiters, the cause of the malfunction must first be eliminated. Only then may the motor be switched on again manually.

The restart interlock must be "non-resetting on power failure", i.e. the lock must be in place to prevent restarting even after a power cut (in Europe: Directive 2014/34/EU, Appendix II 1.5, EN 60079-17 Table1, B8).

### Operation with frequency converter

Frequency converters may only be used for controlling the frequency of special models of three-phase pumps. For hydraulic reasons we do not recommend operation below 30 Hz.

**NOTICE!** For physical reasons, pumps may not be operated at a higher frequency than that shown on the type plate. If the frequency increases beyond the value on the type plate, the power input increases and the motor is then overloaded.

For special models of three-phase pumps that are designed for frequency converter operation, the motor type shown on the type plate is labelled with an additional "K" (e.g. D90-2/75 CK). These pumps also have a sticker on the end of the cable that indicates their suitability for use with a frequency converter.

These motors are fitted with PTC thermistors as winding protectors. Voltages of more than 2.5 V may not be connected to the winding protection terminals 40 and 41! For explosion protected pumps, a type-tested tripping unit that complies with the EU type-testing requirements is also necessary.

### Rotational direction

The rotational direction must be checked before installation! If the rotational direction is correct, the start-up jolt should be in the opposite direction to the rotational direction arrow on the motor housing. The wrong rotational direction is also indicated if the pump performs inadequately when installed, or if loud noises can be heard during operation. If the rotational direction is wrong, 2 phases of the supply cable must be swapped over.

#### **CAUTION!**

The start-up jolt can be very forceful.

### Potential equalisation

To comply with EN 60079-14 and EN 1127-1, an additional equipotential bonding must be installed for facilities with protective earth conductors in TN/TT networks in areas subject to explosion hazards. In Germany, for example, the design must be in accordance with VDE 0100, Part 540 (Association of German Electrical Engineers).

No additional potential equalisation is required on site for JUNG PUMPEN concrete or plastic chambers in explosion zones 1 and 2 (statement made by TÜV Nord (Technical Inspection Agency) in March 2008).

Exception: if conductive parts, such as cable protection sleeves made of corrugated pipe or a pressure pipe made of metal, are connected to the chamber from the outside. In this case, an electrically conductive connection must be made between the conductive parts and the housing of the pump(s). For corrosion protection reasons, the connection should be made using stainless steel.

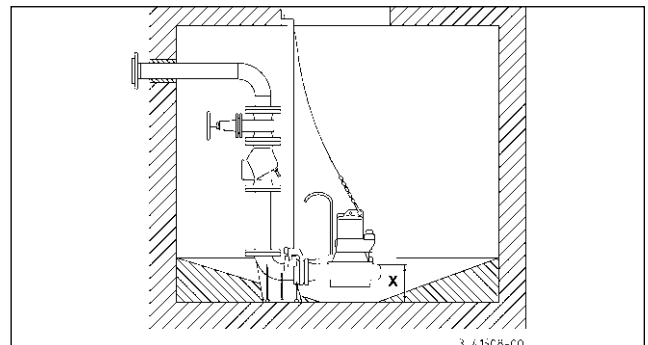
Explosion protected pumps have a special connection point at the cable entry point.

## INSTALLATION

**NOTICE!** Before the pump can be installed, the 4 plastic packaging feet must be unscrewed from the bottom of the pump housing and removed.

The pump must be installed as shown in the examples. For installations in accordance with EN 12056-4, the pressure pipe must be laid in a loop above the local back pressure level and protected with a back pressure prevention valve.

#### Example installation with guide rail system



**Assembly:** Fix the coupling base firmly to the floor of the collection chamber using plugs and then mount the guide rails. Next, install the pressure pipe including the necessary fittings, such as the non-return valve and shut-off valves.

Finally, fit the pump with the screwed-on coupling catch on to the guide rails and lower it into place using a chain fixed to the shackle.

A fixing facility for lifting gear should be provided above the chamber opening at a sufficient height.

Level monitoring can be carried out using various systems. Their specific characteristics and requirements can be found in the relevant operating manuals.

#### **WARNING!**

In accordance with the explosion protection laws and regulations, JUNG Ex-pumps should never be allowed to run dry or to operate in "snore" mode.

The pump must switch off when the water level sinks to the upper edge of the pump housing (x in the illustration), at the very latest. This shut-down must be implemented via a separate switching circuit. Dry running for servicing or inspection purposes may only take place outside the potentially explosive area.

A correspondingly larger diameter pipe should be used for longer pressure pipelines to avoid pipe friction losses.

Rising pressure pipes must be protected from frost! A chamber cover must be selected that is suitable for the intended use and has the required load-bearing capacity.

If necessary, the pump housing can be ventilated by unscrewing the "Luft" sealing screw. A flushing pipe, available as an accessory, can be installed to minimise deposits and the formation of floating layers in the chamber.

If the pump is malfunctioning, part of the contents of the oil reservoir could escape into the pumping medium.

**Not Ex-pumps.** If a hose is used as a pressure line, care must be taken to ensure that for every pumping operation the hose is completely empty before the pump is submerged. Any residual liquid would obstruct the ventilation of the pump housing and therefore also hinder the pumping operation.

This situation can also occur if the pump runs dry, pumps down to a lower level than that shown in the installation drawing, or runs in "snore" mode during the daily test run.

In these cases, the pump housing must be ventilated by unscrewing the "Luft" sealing screw.

## SERVICING

Maintenance and inspection of this product must be carried out in accordance with EN 12056-4 and EN 60079-14.

To ensure continued reliability of service, we recommend that you take out a service contract.



### WARNING!

Before carrying out any works: disconnect the pump and the controls from the mains and take steps to ensure that it cannot be energized again.



### WARNING!

Check the mains cable for signs of mechanical and chemical damage. Damaged or kinked cables must be replaced by the manufacturer.

**NOTICE!** When using a chain to lift the pump, please observe the relevant national regulations regarding accident prevention. Lifting gear must be checked regularly by an expert in accordance with the legal regulations.

**NOTICE!** Motors in the Ex-range conform to the "flameproof enclosures" ignition protection category. Maintenance works that affect the explosion protection may only be carried out by authorised specialists or by the manufacturer. When carrying out repairs, all areas next to flameproof gaps must be checked for damages and, if necessary, replaced by genuine parts.

### Oil check

The drain plug is labelled "Öl". In order to check the mechanical seal, the oil, including any residue, must be drained from the oil reservoir and collected in a clean measuring container.

- If the oil is contaminated with water (milky), an oil change must be carried out. Check again after a further 300 operating hours, but at the very latest after 6 months!
- However, if the oil is contaminated with both water and pollutants, then not only the oil must be replaced, but the mechanical seal as well.

For monitoring the oil reservoir, it is also possible to retrofit the electrode of our "DKG" or "DKG-Ex" seal leak control device in place of the "DKG" sealing screw.

### Changing the oil

To ensure operational liability, the first oil change should be carried out after 300 operating hours, with further oil changes carried out after every 1000 operating hours.

If the number of operating hours is very low, an oil change should still be carried out at least once a year.

If wastewater with strongly abrasive constituents is being pumped, the oil changes should be carried out at correspondingly shorter intervals.

Use HLP hydraulic mineral oil, viscosity class 22 to 46, e.g. Mobil DTE 22, DTE 24, DTE 25, to replace the oil in the oil reservoir.

The quantity of oil required is 700 cm<sup>3</sup>, except for A1 and B1 pumps, which must be filled with 600 cm<sup>3</sup>.

The oil reservoir may only be filled with the specified quantity of oil. Overfilling will result in the pump being rendered inoperable.

### Cleaning

To clean the impeller and the spiral housing, simply remove the 4 hexagonal screws and lift the motor unit off the spiral housing



### CAUTION!

Worn impellers can have sharp edges.

**NOTICE!** If the wrong screws are unscrewed, the oil will run out of the oil reservoir.

Tightening torque  $M_A$  for A2 screw materials

for M 6  $M_A = 8 \text{ Nm}$

for M 8  $M_A = 20 \text{ Nm}$

for M 10  $M_A = 40 \text{ Nm}$

for M 12  $M_A = 70 \text{ Nm}$

### Checking the pump unit

The housing screws for the pump, and the connecting and fixing screws of the installation must be checked to ensure they are fixed securely. They should be tightened if necessary.

If the pump performance decreases, or if increasingly loud noises can be heard during operation, the gap dimension between the impeller face and the wear plate must be checked for wear by an expert and replaced if necessary. Nominal dimension: 0.5 - 0.8 mm.

Adjust the impeller gap: see page 75

Replacing the impeller: see page 76

Replace the wear plate: see page 78

## WHAT TO DO IN THE EVENT OF ANY PROBLEMS

### **Pump does not work**

- Check mains current (do not use a pin gauge)
- Fuse faulty = may be too weak (please refer to Electrical Connection)
- Mains supply cable damaged = repair to be carried out by manufacturer only

### **Pump runs but does not pump**


- Empty pressure pipe or hose to allow the non-return valve to open and let the air escape from the pump housing.
- Ventilate the pump housing by unscrewing the "Luft" (air) sealing screw.


### **The impeller is blocked**


- Solids and fibrous matter have become lodged in the pump housing (please refer to Maintenance)

### **Decreased pumping performance**




- The impeller is blocked (please refer to maintenance)
- Rotor gap too large = adjust
- The impeller is worn out = replace it
- Wrong direction of rotation = change 2 phases of the power supply

 0197 JUNG PUMPEN GmbH - Industriestr. 4-6 - 33803 Steinhagen, Germany 13 411.18.2023.03	<p align="center"><b>EN 12050-1:2001; 2015</b>  <b>Station de relevage pour effluents contenant des matières fécales</b></p> <p>10/2 A1, EX (JP50385)                  10/4 B1, EX (JP50397)                  15/2 A1, EX (JP50387)                  15/4 B3, EX (JP50399)                  15/4 B3, EX (JP50581)                  15/4 B3, EX (JP50582)                  25/2 A2, EX (JP50389)                  25/2 B1, EX (JP50393)                  25/4 B4, EX (JP50401)                  25/4 C1 (JP50404)                  35/2 A2, EX (JP50405)                  35/2 B2, EX (JP50391)                  35/4 B4, EX (JP50395)                  35/4 B4, EX (JP50403)                  35/4 C1, EX (JP50407)</p>	<p>Collecte et relevage automatique des eaux usées exemptes de matières fécales et des eaux usées contenant des matières fécales au-dessus du niveau de refoulement.</p> <p><b>REACTION AU FEU</b> NPD</p> <p><b>ÉTANCHÉITÉ À L'EAU</b> satisfaisant</p> <p><b>EFFICACITÉ (PERFORMANCE DE RELEVAGE)</b></p> <ul style="list-style-type: none"> <li>- Refoulement de matières solides satisfaisant</li> <li>- Raccords de tuyaux satisfaisant</li> <li>- Dimensions minimales des conduites d'aération NPD</li> <li>- Débit minimum satisfaisant</li> <li>- Passage libre minimal de l'installation satisfaisant</li> <li>- Volume utile minimal NPD</li> </ul> <p><b>RÉSISTANCE MÉCANIQUE</b></p> <ul style="list-style-type: none"> <li>- Capacité de charge et stabilité structurelle du collecteur NPD</li> <li>- pour une utilisation à l'extérieur des bâtiments NPD</li> <li>- Stabilité structurelle du collecteur pour une utilisation à l'intérieur des bâtiments NPD</li> </ul> <p><b>NIVEAU SONORE</b> 70 dB(A)</p> <p><b>RÉSISTANCE</b></p> <ul style="list-style-type: none"> <li>- de la stabilité structurelle satisfaisant</li> <li>- de la performance de relevage satisfaisant</li> <li>- de la résistance mécanique satisfaisant</li> </ul> <p><b>SUBSTANCES DANGEREUSES</b> NPD</p>
--	---	---

 0197 JUNG PUMPEN GmbH - Industriestr. 4-6 - 33803 Steinhagen, Germany 13 411.18.2023.03	<p align="center"><b>EN 12050-1:2001; 2015</b>  <b>Lifting plant for wastewater containing faecal matter</b></p> <p>10/2 A1 (JP50384)                  10/4 B1 (JP50396)                  15/2 A1 (JP50386)                  15/4 B3 (JP50398)                  25/2 A2 (JP50388)                  25/2 B1 (JP50392)                  25/4 B4 (JP50400)                  25/4 C1 (JP50404)                  35/2 A2 (JP50390)                  35/2 B2 (JP50394)                  35/4 B4 (JP50402)                  35/4 C1 (JP50406)</p>	<p>Collection and automatic lifting of wastewater without sewage and wastewater containing faecal matters above the backflow level</p> <p><b>REACTION TO FIRE</b> NPD</p> <p><b>WATERTIGHTNESS</b> Pass</p> <p><b>EFFECTIVENESS (LIFTING EFFECTIVENESS)</b></p> <ul style="list-style-type: none"> <li>- Pumping of solids Pass</li> <li>- Pipe connections Pass</li> <li>- Minimum dimensions of ventilating pipes system NPD</li> <li>- Minimum flow velocity Pass</li> <li>- Minimum free passage of the plant Pass</li> <li>- Minimum useful volume NPD</li> </ul> <p><b>MECHANICAL RESISTANCE</b></p> <ul style="list-style-type: none"> <li>- Load bearing capacity and structural stability of collection tank for use outside buildings NPD</li> <li>- Structural stability of collection tank for use inside buildings NPD</li> </ul> <p><b>NOISE LEVEL</b> 70 dB(A)</p> <p><b>DURABILITY</b></p> <ul style="list-style-type: none"> <li>- of structural stability Pass</li> <li>- of lifting effectiveness Pass</li> <li>- of mechanical resistance Pass</li> </ul> <p><b>DANGEROUS SUBSTANCES</b> NPD</p>
--	--	--

 0197 JUNG PUMPEN GmbH - Industriestr. 4-6 - 33803 Steinhagen, Germany 13 411.18.2023.03	<p align="center"><b>EN 12050-1:2001; 2015</b>  <b>Fäkalienhebeanlage</b></p> <p>10/2 A1, EX (JP50385)                  10/4 B1, EX (JP50397)                  15/2 A1, EX (JP50387)                  15/4 B3, EX (JP50399)                  15/4 B3, EX (JP50581)                  15/4 B3, EX (JP50582)                  25/2 A2, EX (JP50389)                  25/2 B1, EX (JP50393)                  25/4 B4, EX (JP50401)                  25/4 C1, EX (JP50405)                  35/2 A2, EX (JP50391)                  35/2 B2, EX (JP50395)                  35/4 B4, EX (JP50403)                  35/4 C1, EX (JP50407)</p>	<p>Sammeln und automatisches Heben von fäkalienfreiem und fäkalienhaltigem Abwasser über die Rückstauebene</p> <p><b>BRANDVERHALTEN</b> NPD</p> <p><b>WASSERDICHTHEIT</b> Bestanden</p> <p><b>WIRKSAMKEIT (HEBEWIRKUNG)</b></p> <ul style="list-style-type: none"> <li>- Förderung von Feststoffen Bestanden</li> <li>- Rohranschlüsse Bestanden</li> <li>- Mindestmaße von Lüftungsleitungen NPD</li> <li>- Mindestfließgeschwindigkeit Bestanden</li> <li>- Freier Mindestdurchgang der Anlage Bestanden</li> <li>- Mindestnutz volumen NPD</li> </ul> <p><b>MECHANISCHE FESTIGKEIT</b></p> <ul style="list-style-type: none"> <li>- Tragfähigkeit und strukturelle Stabilität des Sammelbehälters für die Verwendung außerhalb von Gebäuden NPD</li> <li>- Strukturelle Stabilität des Sammelbehälters für die Verwendung innerhalb von Gebäuden NPD</li> </ul> <p><b>GERÄUSCHPEGEL</b> 70 dB(A)</p> <p><b>DAUERHAFTIGKEIT</b></p> <ul style="list-style-type: none"> <li>- der Wasserdichtheit Bestanden</li> <li>- der Hebewirkung Bestanden</li> <li>- der mechanischen Festigkeit Bestanden</li> </ul> <p><b>GEFÄHRLICHE SUBSTANZEN</b> NPD</p>
--	---	--



 0197	JUNG PUMPEN GmbH - Industriest. 4-6 - 33803 Steinhagen, Germany	13 411.18.2023.03	 0197	JUNG PUMPEN GmbH - Industriest. 4-6 33803 Steinhagen, Germany	13 411.18.2023.03	 0197
	<b>Stazione di sollevamento per acque reflue contenenti materiale fecale</b> EN 12050-1:2001; 2015			<b>Estação elevatória para águas residuais contendo matéria fecal</b> EN 12050-1:2001; 2015		
10/2 A1, EX (JP50385) 10/4 B1, EX (JP50397) 15/2 A1, EX (JP50387) 15/4 B3, EX (JP50399) 15/4 B3, EX (JP50581) 15/4 B3, EX (JP50582) 25/2 A2, EX (JP50389) 25/2 B1, EX (JP50393) 25/4 B4, EX (JP50401) 25/4 C1, EX (JP50405) 35/2 A2, EX (JP50391) 35/2 B2, EX (JP50395) 35/4 B4, EX (JP50403) 35/4 C1, EX (JP50407)	10/2 A1, EX (JP50385) 10/4 B1, EX (JP50397) 15/2 A1, EX (JP50387) 15/4 B3, EX (JP50399) 15/4 B3, EX (JP50581) 15/4 B3, EX (JP50582) 25/2 A2, EX (JP50389) 25/2 B1, EX (JP50393) 25/4 B4, EX (JP50401) 25/4 C1, EX (JP50405) 35/2 A2, EX (JP50391) 35/2 B2, EX (JP50395) 35/4 B4, EX (JP50403) 35/4 C1, EX (JP50407)	10/2 A1, EX (JP50385) 10/4 B1, EX (JP50397) 15/2 A1, EX (JP50387) 15/4 B3, EX (JP50399) 15/4 B3, EX (JP50581) 15/4 B3, EX (JP50582) 25/2 A2, EX (JP50389) 25/2 B1, EX (JP50393) 25/4 B4, EX (JP50401) 25/4 C1, EX (JP50405) 35/2 A2, EX (JP50391) 35/2 B2, EX (JP50395) 35/4 B4, EX (JP50403) 35/4 C1, EX (JP50407)				
Raccolta e sollevamento automatico di acque reflue prive di sostanze fecali e di acque reflue contenenti sostanze fecali al di sopra del livello di ristagno	Coleta e levantamento automático de águas residuais sem esgoto e águas residuais contendo matérias fecais acima do nível de refluxo	Verzamelen en automatisch pompen van afvalwater boven het terugstuwniveau				
<b>INFAMMABILITÀ</b> <b>IMPERMEABILITÀ</b> <b>EFFICACIA (CAPACITÀ DI SOLLEVAMENTO)</b> - Pompaggio di materiali solidi - Collegamenti al tubo - Misure minime delle linee di ventilazione - Velocità di scorrimento minima - Passaggio libero minimo dell'impianto - Volume utile minimo <b>RESISTENZA MECCANICA</b> - Capacità di carico e stabilità strutturale del serbatoio di raccolta per l'uso ai fuori degli edifici - Stabilità strutturale del serbatoio di raccolta per l'uso all'interno degli edifici.	<b>REACÃO AO FOGO</b> <b>ESTANQUEIDADE</b> <b>EFICÁCIA (EFICÁCIA DE ELEVAÇÃO)</b> - Bombeamento de sólidos - Conexões de tubagem - Dimensões mínimas do sistema de tubos de ventilação - Velocidade de fluxo mínimo - Passagem livre mínima da instalação - Volume útil mínimo <b>RESISTÊNCIA MECÂNICA</b> - Capacidade de carga e estabilidade estrutural do tanque de coleta para uso externo a edifícios - Estabilidade estrutural do tanque de coleta para uso em edifícios	<b>BRANDGEDRAG</b> <b>WATERDICHTHEID</b> <b>RENDEMENT (POMPWERKING)</b> - Transport van vaste stoffen - Buisaansluitingen - Minimum afmeting van verluchtingsleidingen - Minimum doorstromingsnelheid - Minimum vrije doorgang van de installatie - Minimum nuttig volume <b>MECHANISCHE VASTHEID</b> - Draagkracht en structurele stabiliteit van de verzamelcontainer voor het gebruik buiten gebouwen - Structurele stabiliteit van de verzamelcontainer voor het gebruik binnenin gebouwen				
<b>SOGLIA DI RUMOROSITÀ</b> <b>DUREVOLEZZA</b> - della stabilità strutturale - della capacità di sollevamento - della resistenza meccanica <b>SOSTANZE PERICOLOSE</b>	<b>NIVEL DE RUIJDO</b> <b>DURABILIDADE</b> - de estabilidade estrutural - eficácia de elevação - de resistência mecânica <b>SUBSTÂNCIAS PERIGOSAS</b>	<b>6ELUIDSNIVEAU</b> <b>DUURZAAMHEID</b> - van de structurele stabiliteit - van de pompwerking - van de mechanische vastheid <b>GEVAARLIJKE STOFFEN</b>				
NPD Superata Superata Superata NPD Superata Superata NPD NPD NPD 70 dB(A) Superata Superata Superata NPD	NPD Pass Pass Pass NPD Pass Pass NPD NPD NPD 70 dB(A) Pass Pass Pass NPD	NPD succesvol succesvol succesvol NPD succesvol succesvol NPD NPD NPD 70 dB(A) succesvol succesvol succesvol NPD				

<b>CE</b> 0197	JUNG PUMPEN GmbH - Industriestr. 4-6 - 33803 Steinhagen, Germany 13 411.18.2023.03	<b>EN 12050-1:2001; 2015</b> <b>Čerpace stanice odpadových vôd s obsahom fekálnych splaškov</b>
10/2 A1 (JP50384) 10/4 B1 (JP50396) 15/2 A1 (JP50386) 15/4 B3 (JP50398) 25/2 A2 (JP50388) 25/2 B1 (JP50392) 25/4 B4 (JP50400) 25/4 C1 (JP50404) 35/2 A2 (JP50390) 35/2 B2 (JP50394) 35/4 B4 (JP50402) 35/4 C1 (JP50406)	10/2 A1, EX (JP50385) 10/4 B1, EX (JP50397) 15/2 A1, EX (JP50387) 15/4 B3, EX (JP50399) 15/4 B3, EX (JP50581) 15/4 B3, EX (JP50582) 25/2 A2, EX (JP50389) 25/2 B1, EX (JP50393) 25/4 B4, EX (JP50401) 25/4 C1, EX (JP50405) 35/2 A2, EX (JP50391) 35/2 B2, EX (JP50395) 35/4 B4, EX (JP50403) 35/4 C1, EX (JP50407)	Zber a automatické čerpanie odpadových vôd bez fekálnych a odpadových vôd s obsahom fekálnych splaškov prostredníctvom úrovne vzdutia

<b>CE</b> 0197	JUNG PUMPEN GmbH - Industriestr. 4-6 - 33803 Steinhagen, Germany 13 411.18.2023.03	<b>EN 12050-1:2001; 2015</b> <b>Čerpací stanice odpadních vod s fekáliemi</b>
10/2 A1 (JP50384) 10/4 B1 (JP50396) 15/2 A1 (JP50386) 15/4 B3 (JP50398) 25/2 A2 (JP50388) 25/2 B1 (JP50392) 25/4 B4 (JP50400) 25/4 C1 (JP50404) 35/2 A2 (JP50390) 35/2 B2 (JP50394) 35/4 B4 (JP50402) 35/4 C1 (JP50406)	10/2 A1, EX (JP50385) 10/4 B1, EX (JP50397) 15/2 A1, EX (JP50387) 15/4 B3, EX (JP50399) 15/4 B3, EX (JP50581) 15/4 B3, EX (JP50582) 25/2 A2, EX (JP50389) 25/2 B1, EX (JP50393) 25/4 B4, EX (JP50401) 25/4 C1, EX (JP50405) 35/2 A2, EX (JP50391) 35/2 B2, EX (JP50395) 35/4 B4, EX (JP50403) 35/4 C1, EX (JP50407)	Sběr a automatické čerpaní odpadních vod bez fekálií a odpadních vod s fekáliemi nad úroveň zpětného vzduší

<b>CE</b> 0197	JUNG PUMPEN GmbH - Industriestr. 4-6 - 33803 Steinhagen, Germany 13 411.18.2023.03	<b>EN 12050-1:2001; 2015</b> <b>Instalacja przepompowni fekaliiów</b>
10/2 A1 (JP50384) 10/4 B1 (JP50396) 15/2 A1 (JP50386) 15/4 B3 (JP50398) 25/2 A2 (JP50388) 25/2 B1 (JP50392) 25/4 B4 (JP50400) 25/4 C1 (JP50404) 35/2 A2 (JP50390) 35/2 B2 (JP50394) 35/4 B4 (JP50402) 35/4 C1 (JP50406)	10/2 A1, EX (JP50385) 10/4 B1, EX (JP50397) 15/2 A1, EX (JP50387) 15/4 B3, EX (JP50399) 15/4 B3, EX (JP50581) 15/4 B3, EX (JP50582) 25/2 A2, EX (JP50389) 25/2 B1, EX (JP50393) 25/4 B4, EX (JP50401) 25/4 C1, EX (JP50405) 35/2 A2, EX (JP50391) 35/2 B2, EX (JP50395) 35/4 B4, EX (JP50403) 35/4 C1, EX (JP50407)	Zbieranie i automatyczne przepompowywanie ścieków bez fekaliiów i ścieków fekalnych powyżej poziomu cofki

REAKCIA POČAS POŽIARU	NPD	
VODOTESNOSŤ	v poriadku	
ÚČINNOSŤ (ÚČINOK SANIA)	v poriadku	
- doprava pevných častíc	v poriadku	
- potrubné prípojky	NPD	
- minimálne rozmery vetracích vedení	v poriadku	
- minimálna rýchlosť prietoku	v poriadku	
- voľný minimálny priedoch systému	NPD	
- minimálny užitočný objem		
MECHANICKÁ PEVNOSŤ		
- nosnosť a štruktúrna stabilita zbernej nádobky pre používanie mimo budov	NPD	
- štruktúrna stabilita zbernej nádobky pre používanie v rámci budov	NPD	
HLADINA HLUKU	70 dB(A)	
TRVANLIVOSŤ		
- štruktúrnej stability	v poriadku	
- vedľajších účinkov	v poriadku	
- mechanickej pevnosti	v poriadku	
NEBEZPEČNÉ LÁTKY	NPD	

CHOVÁNÍ PŘI POŽÁRU	NPD	
VODOTĚSNOST	vyhovuje	
ÚČINNOST (ZDVIH)	vyhovuje	
- Doprava pevných látek	vyhovuje	
- Potrubní přípojky	NPD	
- Minimální rozměry větracího vedení	vyhovuje	
- Minimální průtoková rychlost	vyhovuje	
- Volný minimální průstup zařízení	NPD	
- Minimální užitný objem		
MECHANICKÁ PEVNOST		
- Nosnost a strukturální stabilita sběrné nádrže pro použití mimo budov	NPD	
- Strukturální stabilita sběrné nádrže pro použití uvnitř budov	NPD	
HLUČNOST	70 dB(A)	
STÁLOST		
- Strukturální stability	vyhovuje	
- Zdvihu	vyhovuje	
- Mechanické pevnosti	vyhovuje	
NEBEZPEČNÉ SUBSTANCE	NPD	

WŁAŚCIWOŚCI OGNIOWE	NPD	
SZCZELNOŚĆ WODNA	pozytywnie	
SPRAWNOŚĆ DZIAŁANIA (SKUTECZNOŚĆ TŁOCZENIA)	pozytywnie	
- Tłoczenie substancji stałych	pozytywnie	
- Przyłącza rurowe	NPD	
- Wymiary minimalne przewodów wentylacyjnych	pozytywnie	
- Minimalna prędkość przepływu	pozytywnie	
- Minimalna, swobodna przepustowość instalacji	NPD	
- Minimalna objętość użytkowa		
WYTRZYMAŁOŚĆ MECHANICZNA		
- Nośność i stabilność konstrukcyjna zbiornika podczas stosowania poza budynkami	NPD	
- Nośność i stabilność konstrukcyjna zbiornika podczas stosowania w budynkach	NPD	
POZIOM HAŁĄSASU	70 dB(A)	
TRWAŁOŚĆ I WYTRZYMAŁOŚĆ		
- stabilność konstrukcyjna	pozytywnie	
- skuteczność tłoczenia	pozytywnie	
- wytrzymałość mechaniczna	pozytywnie	
SUBSTANCJE NIEBEZPIECZNE	NPD	

<b>CE</b> 0197	
JUNG PUMPEN GmbH - Industriestr. 4-6 - 33803 Steinhausen, Germany 13 411.18.2023.03	
<b>EN 12050-1:2001; 2015</b> <b>Stație de pompare ape uzate cu materii fecale</b>	
10/2 A1 (JP50384) 10/4 B1 (JP50396) 15/2 A1 (JP50386) 15/4 B3 (JP50398) 25/2 A2 (JP50388) 25/2 B1 (JP50392) 25/4 B4 (JP50400) 25/4 C1 (JP50404) 35/2 A2 (JP50390) 35/2 B2 (JP50394) 35/4 B4 (JP50402) 35/4 C1 (JP50406) 35/4 C1, EX (JP50407)	10/2 A1, EX (JP50385) 10/4 B1, EX (JP50397) 15/2 A1, EX (JP50387) 15/4 B3, EX (JP50399) 15/4 B3, EX (JP50581) 15/4 B3, EX (JP50582) 25/2 A2, EX (JP50389) 25/2 B1, EX (JP50393) 25/4 B4, EX (JP50401) 25/4 C1, EX (JP50405) 35/2 A2, EX (JP50391) 35/2 B2, EX (JP50395) 35/4 B4, EX (JP50403) 35/4 C1, EX (JP50407)
Colectarea și pomparea automată de ape uzate fără materii fecale și ape uzate cu materii fecale deasupra nivelului maxim posibil al apelor uzate din sistemul de canalizare	

<b>CE</b> 0197	
JUNG PUMPEN GmbH - Industriestr. 4-6 - 33803 Steinhausen, Germany 13 411.18.2023.03	
<b>EN 12050-1:2001; 2015</b> <b>Fekáliatartalmú szennyvizek átemelei</b>	
10/2 A1 (JP50384) 10/4 B1 (JP50396) 15/2 A1 (JP50386) 15/4 B3 (JP50398) 25/2 A2 (JP50388) 25/2 B1 (JP50392) 25/4 B4 (JP50400) 25/4 C1 (JP50404) 35/2 A2 (JP50390) 35/2 B2 (JP50394) 35/4 B4 (JP50402) 35/4 C1 (JP50406) 35/4 C1, EX (JP50407)	10/2 A1, EX (JP50385) 10/4 B1, EX (JP50397) 15/2 A1, EX (JP50387) 15/4 B3, EX (JP50399) 15/4 B3, EX (JP50581) 15/4 B3, EX (JP50582) 25/2 A2, EX (JP50389) 25/2 B1, EX (JP50393) 25/4 B4, EX (JP50401) 25/4 C1, EX (JP50405) 35/2 A2, EX (JP50391) 35/2 B2, EX (JP50395) 35/4 B4, EX (JP50403) 35/4 C1, EX (JP50407)
Fekália mentes szennyvíz és fekália tartalmú szennyvíz gyűjtése és emelése a visszatartódási szint felett	

<b>COMPORTAMENTUL ÎN CAZ DE INCENDIU</b>		NPD
<b>IMPERMEABILITATE LA APĂ</b>		Reușit
<b>EFICACITATE (EFICIENȚĂ DE POMPARE)</b>		Reușit
- Transportul de materiale solide		Reușit
- Racorduri țevă		NPD
- Dimensiuni minime ale conductelor de ventilație		Reușit
- Viteza de curgere minimă		Reușit
- Trecerea minimă liberă a instalației		NPD
- Capacitate utilizabilă minimă		NPD
<b>REZISTENȚA MECANICĂ</b>		NPD
- Capacitatea portantă și stabilitatea structurală a rezervorului colector pentru utilizarea în afara clădirilor		NPD
- Stabilitatea structurală a rezervorului colector pentru utilizarea în interiorul clădirilor		NPD
<b>NIVEL DE ZGOMOT</b>		70 dB(A)
<b>DURABILITATEA</b>		
- Stabilitatea structurală		Reușit
- Eficiența de pompare		Reușit
- Rezistența mecanică		Reușit
<b>SUBSTANȚE PERICULOASE</b>		NPD

<b>VISELKEDÉSTÜZ ESETÉN</b>		NPD
<b>VIZÁLLÓSÁG</b>		Megfelelt
<b>HATÉKONYSÁG (EMELŐ HATÁS)</b>		Megfelelt
- Szilárd anyagok szállítása		Megfelelt
- Csőcsatlakozások		NPD
- A szellőzővezetékek minimális méretei		Megfelelt
- Az áramlás minimális sebessége		Megfelelt
- A berendezés szabad, minimális áteresztése		NPD
- Minimális hasznos volumen		NPD
<b>MECHANIKAI SZILÁRDSÁG</b>		
- A gyűjtőtartály terhelhetősége és strukturális stabilitása épületeken kívüli használathoz		NPD
- A gyűjtőtartály strukturális stabilitása épületeken belüli használathoz		NPD
<b>ZAJSZINT</b>		70 dB(A)
<b>TARTÓSSÁG</b>		
- a strukturális stabilitás tartóssága		Megfelelt
- az emelőhatás tartóssága		Megfelelt
- a mechanikai szilárdság tartóssága		Megfelelt
<b>VESZÉLYES ANYAGOK</b>		NPD

EU-Konformitátskijäritys  
EU-Prohlášení o shodě  
EU-Overensstemmelserklæring  
EU-Declarazione di conformità  
EU-Conformitätsverklärung  
EU-Declaración de conformidad

EU-Declaração de Conformidade  
EU-Declaratie de conformitate  
EU-Vyhlašení o zhode  
EU-Försäkran om överensstämmelse

EU-Declaración de Conformité  
EU-Megfelelősségi nyilatkozat  
EU-Dichiarazione di conformità  
EU-Conformitätsverklärung  
EU-Declaración de conformidad

DE - Richtlinien - Harmonisierte Normen  
CS - Směrnice - Harmonizované normy  
HU - Irányelvek - Harmonizált szabványok  
SK - Smernice - Norme armonizzate  
NL - Richtlijnen - Geharmoniseerde normen  
PL - Dyrektywy - Normy zharmonizowane

FR - Directives - Normes harmonisées  
HU - Irányelvek - Harmonizált szabványok  
IT - Direttive - Norme armonizzate  
NL - Richtlijnen - Geharmoniseerde normen  
PL - Dyrektywy - Normy zharmonizowane

PT - Directiva - Normas harmonizadas  
RO - Directivă - Norme coroborate  
SK - Smernice - Norme armonizzate  
SV - Direktiv - Harmoniserade normer

JUNG PUMPEN GmbH - Industriest. 4-6 - 33803 Steinhagen - Germany - www.jung-pumpen.de


DE - Wir erklären in alleiniger Verantwortung, dass das Produkt den aufgeführten Richtlinien entspricht.  
CS - Prohlášení je na svou vylučnou odpovědnost, že výrobek odpovídá jmenovaným směrnici.  
DA - Vi erklærer under ansvar at produktet i overensstemmelse med de retningslinjer.  
EN - We hereby declare, under our sole responsibility, that the product is in accordance with the specified Directives.  
FI - Vastuukauttamme omalla vastuullamme, että tuote täyttää ohjeita.  
FR - Nous déclarons sous notre propre responsabilité que le produit répond aux directives.  
HU - Kizárólagos felelősségünk tudatában kijelentjük, hogy ez a termék megfelel az Európai Unió fentnevezett irányelveinek.  
IT - Noi dichiariamo sotto la nostra esclusiva responsabilità che il prodotto è conforme alle direttive citate.  
NL - Wij verklaren geheel onder eigen verantwoordelijkheid dat het product voldoet aan de gestelde richtlijnen.  
PL - Z pełną odpowiedzialnością oświadczamy, że produkt odpowiada postanowieniom wymienionych dyrektyw.  
PT - Declaramos, sob nossa exclusiva responsabilidade, que o produto está em conformidade com as Diretivas especificadas.  
RO - Declaram pe proprie răspundere că produsul corespunde normelor prevăzute de directivele mai sus menționate.  
SK - Na vylučnú zodpovednosť vyhlasujeme, že výrobok spĺňa požiadavky uvedených smerníc.  
SV - Vi försäkrar att produkten på vårt ansvar är utförd enligt gällande riktlinjer.

10/2 ATL (JP50384) 10/2 AW1 (JP47280) 10/2 AW1 EX (JP47280) 25/2 AW1 EX (JP9272) 25/2 AW1 EX (JP50385) 10/2 ATL EX (JP50385)  
10/4 B1 (JP50386) 10/4 B1 EX (JP50387) 10/4 B1 EX (JP50387) 15/2 AW1 EX (JP96095) 15/2 AW1 EX (JP50387) 10/4 B1 EX (JP50387)  
15/2 ATL (JP50388) 15/2 AW2 (JP47278) 15/2 AW2 EX (JP46887) 15/2 AW2 EX (JP46889) 15/2 AW2 EX (JP46889) 15/2 AW2 EX (JP46889)  
25/2 B2 (JP50388) 15/4 AW1 (JP47281) 15/4 AW1 EX (JP94591) 15/4 AW1 EX (JP94591) 15/4 B3 EX (JP50389) 15/4 B3 EX (JP50389)  
25/2 B2 (JP50389) 15/4 AW2 (JP47282) 15/4 AW2 EX (JP94591) 15/4 AW2 EX (JP94591) 15/4 B3 EX (JP50389) 15/4 B3 EX (JP50389)  
25/2 B2 (JP50390) 15/4 AW1 (JP08145) 15/4 AW1 EX (JP08145) 15/4 AW1 EX (JP08145) 15/4 B3 EX (JP50389) 15/4 B3 EX (JP50389)  
25/4 B4 (JP50400) 25/2 AW1 (JP47352) 25/2 AW1 EX (JP91504) 25/2 AW1 EX (JP91504) 15/4 B3 EX (JP50389) 15/4 B3 EX (JP50389)  
25/4 ATL (JP50401) 25/2 AW2 (JP46735) 25/2 AW2 EX (JP46887) 25/2 AW2 EX (JP46888) 15/4 B3 EX (JP50389) 15/4 B3 EX (JP50389)  
35/2 B2 (JP50394) 25/4 AW2 (JP46735) 25/4 AW2 EX (JP46887) 25/4 AW2 EX (JP46888) 15/4 B3 EX (JP50389) 15/4 B3 EX (JP50389)  
35/4 B4 (JP50402) 25/4 AW1 (JP47256) 25/4 AW1 EX (JP46734) 25/4 AW1 EX (JP46734) 15/4 B3 EX (JP50389) 15/4 B3 EX (JP50389)  
35/4 ATL (JP50406) 35/2 AW1 (JP91514) 35/2 AW1 EX (JP46857) 35/2 AW1 EX (JP46857) 15/4 B3 EX (JP50389) 15/4 B3 EX (JP50389)

DE - Weitere normative Dokumente CS - Jinými normativními dokumenty DA - Andre normative dokumenter EN - Other normative documents FI - Muiden normien tekninen dokumentaatio HU - Egyéb szabványos dokumentumok IRL - Áirí dokumentumai IT - Altri documenti normativi NL - Verdere normative documenten PL - Inny dokumenty normatywne PT - Outros documentos normativos RO - Alte acte normative SK - Inym záväzným dokumentom SV - Vidare normerade dokument

DE - Bevollmächtigter für technische Dokumentation CS - Úpravěná osoba pro technickou dokumentaci DA - Autorisert person for teknisk dokumentation EN - Authorized person for technical documentation FI - Valtuutettu henkilö tekninen dokumentaatio HU - Hatalmas személy műszaki dokumentáció IT - Persona abilitata per la documentazione tecnica NL - Bevoegd persoon voor technische documentatie PL - Pełnomocnik ds. dokumentacji technicznej PT - Pessoa autorizada para documentação técnica RO - Persoană autorizată pentru documentația tehnică SK - Dôjavená osoba pre technickú dokumentáciu SV - Autoriserad person för teknisk dokumentation

JUNG PUMPEN - Stefan Sirges - Industriest. 4-6 - 33803 Steinhagen  
Steinhagen, 03-03-2023

i. V.  Pascal Kögelbeck, Sales Manager

EU-Konformitátskijäritys  
EU-Prohlášení o shodě  
EU-Overensstemmelserklæring  
EU-Declarazione di conformità  
EU-Conformitätsverklärung  
EU-Declaración de conformidad

EU-Declaração de Conformidade  
EU-Declaratie de conformitate  
EU-Vyhlašení o zhode  
EU-Försäkran om överensstämmelse

EU-Declaración de Conformité  
EU-Megfelelősségi nyilatkozat  
EU-Dichiarazione di conformità  
EU-Conformitätsverklärung  
EU-Declaración de conformidad

DE - Richtlinien - Harmonisierte Normen  
CS - Směrnice - Harmonizované normy  
HU - Irányelvek - Harmonizált szabványok  
SK - Smernice - Norme armonizzate  
NL - Richtlijnen - Geharmoniseerde normen  
PL - Dyrektywy - Normy zharmonizowane

FR - Directives - Normes harmonisées  
HU - Irányelvek - Harmonizált szabványok  
IT - Direttive - Norme armonizzate  
NL - Richtlijnen - Geharmoniseerde normen  
PL - Dyrektywy - Normy zharmonizowane

PT - Directiva - Normas harmonizadas  
RO - Directivă - Norme coroborate  
SK - Smernice - Norme armonizzate  
SV - Direktiv - Harmoniserade normer

JUNG PUMPEN GmbH - Industriest. 4-6 - 33803 Steinhagen - Germany - www.jung-pumpen.de


DE - Wir erklären in alleiniger Verantwortung, dass das Produkt den aufgeführten Richtlinien entspricht.  
CS - Prohlášení je na svou vylučnou odpovědnost, že výrobek odpovídá jmenovaným směrnici.  
DA - Vi erklærer under ansvar at produktet i overensstemmelse med de retningslinjer.  
EN - We hereby declare, under our sole responsibility, that the product is in accordance with the specified Directives.  
FI - Vastuukauttamme omalla vastuullamme, että tuote täyttää ohjeita.  
FR - Nous déclarons sous notre propre responsabilité que le produit répond aux directives.  
HU - Kizárólagos felelősségünk tudatában kijelentjük, hogy ez a termék megfelel az Európai Unió fentnevezett irányelveinek.  
IT - Noi dichiariamo sotto la nostra esclusiva responsabilità che il prodotto è conforme alle direttive citate.  
NL - Wij verklaren geheel onder eigen verantwoordelijkheid dat het product voldoet aan de gestelde richtlijnen.  
PL - Z pełną odpowiedzialnością oświadczamy, że produkt odpowiada postanowieniom wymienionych dyrektyw.  
PT - Declaramos, sob nossa exclusiva responsabilidade, que o produto está em conformidade com as Diretivas especificadas.  
RO - Declaram pe proprie răspundere că produsul corespunde normelor prevăzute de directivele mai sus menționate.  
SK - Na vylučnú zodpovednosť vyhlasujeme, že výrobok spĺňa požiadavky uvedených smerníc.  
SV - Vi försäkrar att produkten på vårt ansvar är utförd enligt gällande riktlinjer.

10/2 ATL (JP50384) 10/2 AW1 (JP47280) 10/2 AW1 EX (JP47280) 25/2 AW1 EX (JP9272) 25/2 AW1 EX (JP50385) 10/2 ATL EX (JP50385)  
10/4 B1 (JP50386) 10/4 B1 EX (JP50387) 10/4 B1 EX (JP50387) 15/2 AW1 EX (JP96095) 15/2 AW1 EX (JP50387) 10/4 B1 EX (JP50387)  
15/2 ATL (JP50388) 15/2 AW2 (JP47278) 15/2 AW2 EX (JP46887) 15/2 AW2 EX (JP46889) 15/2 AW2 EX (JP46889) 15/2 AW2 EX (JP46889)  
25/2 B2 (JP50388) 15/4 AW1 (JP47281) 15/4 AW1 EX (JP94591) 15/4 AW1 EX (JP94591) 15/4 B3 EX (JP50389) 15/4 B3 EX (JP50389)  
25/2 B2 (JP50389) 15/4 AW2 (JP47282) 15/4 AW2 EX (JP94591) 15/4 AW2 EX (JP94591) 15/4 B3 EX (JP50389) 15/4 B3 EX (JP50389)  
25/2 B2 (JP50390) 15/4 AW1 (JP08145) 15/4 AW1 EX (JP08145) 15/4 AW1 EX (JP08145) 15/4 B3 EX (JP50389) 15/4 B3 EX (JP50389)  
25/4 B4 (JP50400) 25/2 AW1 (JP47352) 25/2 AW1 EX (JP91504) 25/2 AW1 EX (JP91504) 15/4 B3 EX (JP50389) 15/4 B3 EX (JP50389)  
25/4 ATL (JP50401) 25/2 AW2 (JP46735) 25/2 AW2 EX (JP46887) 25/2 AW2 EX (JP46888) 15/4 B3 EX (JP50389) 15/4 B3 EX (JP50389)  
35/2 B2 (JP50394) 25/4 AW2 (JP46735) 25/4 AW2 EX (JP46887) 25/4 AW2 EX (JP46888) 15/4 B3 EX (JP50389) 15/4 B3 EX (JP50389)  
35/4 B4 (JP50402) 25/4 AW1 (JP47256) 25/4 AW1 EX (JP46734) 25/4 AW1 EX (JP46734) 15/4 B3 EX (JP50389) 15/4 B3 EX (JP50389)  
35/4 ATL (JP50406) 35/2 AW1 (JP91514) 35/2 AW1 EX (JP46857) 35/2 AW1 EX (JP46857) 15/4 B3 EX (JP50389) 15/4 B3 EX (JP50389)

DE - Weitere normative Dokumente CS - Jinými normativními dokumenty DA - Andre normative dokumenter EN - Other normative documents FI - Muiden normien tekninen dokumentaatio HU - Egyéb szabványos dokumentumok IRL - Áirí dokumentumai IT - Altri documenti normativi NL - Verdere normative documenten PL - Inny dokumenty normatywne PT - Outros documentos normativos RO - Alte acte normative SK - Inym záväzným dokumentom SV - Vidare normerade dokument

DE - Bevollmächtigter für technische Dokumentation CS - Úpravěná osoba pro technickou dokumentaci DA - Autorisert person for teknisk dokumentation EN - Authorized person for technical documentation FI - Valtuutettu henkilö tekninen dokumentaatio HU - Hatalmas személy műszaki dokumentáció IT - Persona abilitata per la documentazione tecnica NL - Bevoegd persoon voor technische documentatie PL - Pełnomocnik ds. dokumentacji technicznej PT - Pessoa autorizada para documentação técnica RO - Persoană autorizată pentru documentația tehnică SK - Dôjavená osoba pre technickú dokumentáciu SV - Autoriserad person för teknisk dokumentation

JUNG PUMPEN - Stefan Sirges - Industriest. 4-6 - 33803 Steinhagen  
Steinhagen, 03-03-2023

i. V.  Pascal Kögelbeck, Sales Manager



**UKCA-Declaration of Conformity**

Legislation – Designated Standards

- **Supply of Machinery (Safety) Regulations 2008 (MD)** EN 809:1996/AC:2010, EN ISO 12 100:2010
- **The Restriction of the Use of Certain Hazardous Substance in Electrical and Electronic Equipment Regulations 2012 (RoHS)**
- **Electromagnetic Compatibility Regulations 2016 (EMC)** EN 60034-1: 2010/AC: 2010, EN 61000-3-2:2014, EN 61000-3-3:2013

Name and address of the manufacturer: JUNG PUMPEN GmbH – Industriestr. 4-6 - 33803 Steinhagen - Germany - www.jung-pumpen.de



We hereby declare, under our sole responsibility, that the product is in accordance with the specified Legislation.

10/2 A1 (JP50384)	10/2 AW1 (JP47280)	35/2 BW1 (JP9500/1)	25/2 ME (JP50356)
10/4 B1 (JP50386)	10/4 CW1 (JP09610/5)	35/4 AW2 (JP46794)	35/2 M (JP50357)
15/2 A1 (JP50388)	15/2 AW1 (JP47278)	35/4 BW1 (JP09457/1)	35/2 M (JP50358)
15/4 B3 (JP50388)	15/4 AW2 (JP46791)	35/4 CW1 (JP09858/5)	36/2 M (JP50363)
25/2 A2 (JP50388)	15/4 BW1 (JP09455/1)	45/2 AW1 (JP46796)	36/2 M (JP50364)
25/2 B1 (JP50382)	15/4 CW1 (JP09672/5)	45/2 BW1 (JP46856)	45/2 M (JP50369)
25/4 B4 (JP50400)	25/2 AW1 (JP09149/4)	45/2 CW1 (JP47352)	45/2 M (JP50370)
25/4 C1 (JP50404)	25/2 BW1 (JP09498/1)	45/4 AW2 (JP46795)	
35/2 A2 (JP50380)	25/4 AW1 (JP46793)	45/4 BW2 (JP46858)	
35/2 B2 (JP50394)	25/4 BW1 (JP09456/1)	45/4 CW2 (JP47238)	
35/4 B4 (JP50402)	35/4 CW1 (JP09655/5)		
35/4 C1 (JP50406)	35/2 AW1 (JP09151/4)		

Other normative documents:

EN 60034-5:2001/A1:2007

Authorized person for technical documentation  
 JUNG PUMPEN – Stefan Sirges – Industriestr. 4-6 - 33804 Steinhagen  
 Steinhagen, 03-03-2023

  
 I.V.   
 Stefan Sirges, General Manager  
 Pascal Kollbeck, Sales Manager



## EU-TYPE-EXAMINATION CERTIFICATE (Translation)

- (1) **EU-TYPE-EXAMINATION CERTIFICATE**  
(Translation)
- (2) Equipment or Protective Systems Intended for Use in Potentially Explosive Atmospheres - **Directive 2014/34/EU**
- (3) EU-Type Examination Certificate Number: **PTB 08 ATEX 1113 X** **Issue: 01**
- (4) Product: Submersible pump motors, type . 90 - ...
- (5) Manufacturer: Jung Pumpen GmbH
- (6) Address: Industriestraße 4 - 6, 33803 Steinhegen, Germany
- (7) This product and any acceptable variation thereto is specified in the schedule to this certificate and the documents therein referred to.
- (8) The Physikalisch-Technische Bundesanstalt, notified body No. 0102 in accordance with Article 17 of the Directive 2014/34/EU of the European Parliament and of the Council, dated 26 February 2014, certifies that this product has been found to comply with the Essential Health and Safety Requirements relating to the design and construction of products intended for use in potentially explosive atmospheres, given in Annex II to the Directive.
- The examination and test results are recorded in the confidential Test Report PTB Ex 15-15108.
- (9) Compliance with the Essential Health and Safety Requirements has been assured by compliance with:  
**EN 60079-0:2012+AMD11:2013 EN 60079-1:2014**
- (10) If the sign "X" is placed after the certificate number, it indicates that the product is subject to the Specific Conditions of Use specified in the schedule to this certificate.
- (11) This EU-Type Examination Certificate relates only to the design and construction of the specified product in accordance to the Directive 2014/34/EU. Further requirements of the Directive apply to the manufacturing process and supply of this product. These are not covered by this certificate.
- (12) The marking of the product shall include the following:  
**Ex II 2 G Ex db IIB T4 Gb**

ZSE0016 e

Konformitätsbewertungsstelle, Sektor Explosionsschutz  
On behalf of PTB. Braunschweig, June 21, 2016

  
Dr.-Ing. U. Klausmeyer  
Direktor und Professor

sheet 1/5

EU-Type Examination Certificates without signature and official stamp shall not be valid. The certificate may be circulated only without alteration. Extracts or other uses are prohibited without the approval of the Physikalisch-Technische Bundesanstalt. In case of dispute, the German text shall prevail.

Physikalisch-Technische Bundesanstalt • Bundesallee 100 • 38116 Braunschweig • GERMANY



## EU-Baumusterprüfbescheinigung

- (1) **EU-Baumusterprüfbescheinigung**
- (2) Geräte oder Schutzsysteme zur bestimmungsgemäßen Verwendung in explosionsgefährdeten Bereichen - **Richtlinie 2014/34/EU**
- (3) EU-Baumusterprüfbescheinigungsnummer **PTB 08 ATEX 1113 X** **Ausgabe: 01**
- (4) Produkt: Tauchpumpenmotoren Typ . 90 - ...
- (5) Hersteller: Jung Pumpen GmbH
- (6) Anschrift: Industriestraße 4 - 6, 33803 Steinhegen, Deutschland
- (7) Die Bauart dieses Produkts sowie die verschiedenen zulässigen Ausführungen sind in der Anlage und den darin aufgeführten Unterlagen zu dieser Baumusterprüfbescheinigung festgelegt.
- (8) Die Physikalisch-Technische Bundesanstalt, notifizierte Stelle Nr. 0102 gemäß Artikel 17 der Richtlinie 2014/34/EU des Europäischen Parlaments und des Rates vom 26. Februar 2014, bescheinigt, dass dieses Produkt die grundlegenden Sicherheits- und Gesundheitsanforderungen für die Konzeption und den Bau von Produkten zur bestimmungsgemäßen Verwendung in explosionsgefährdeten Bereichen gemäß Anhang II der Richtlinie erfüllt.
- Die Ergebnisse der Prüfung sind in dem vertraulichen Prüfbericht PTB Ex 15-15108 festgehalten.
- (9) Die grundlegenden Sicherheits- und Gesundheitsanforderungen werden erfüllt durch Übereinstimmung mit  
**EN 60079-0:2012+AMD11:2013 EN 60079-1:2014**
- (10) Falls das Zeichen „X“ hinter der Bescheinigungsnummer steht, wird auf besondere Bedingungen für die sichere Anwendung des Produkts in der Anlage zu dieser Bescheinigung hingewiesen.
- (11) Diese EU-Baumusterprüfbescheinigung bezieht sich nur auf Konzeption und Prüfung des festgelegten Produkts gemäß Richtlinie 2014/34/EU. Weitere Anforderungen dieser Richtlinie gelten für die Herstellung und das Bereitstellen auf dem Markt. Diese Anforderungen werden nicht durch diese Bescheinigung abgedeckt.
- (12) Die Kennzeichnung des Produkts muss die folgenden Angaben enthalten:  
**Ex II 2 G Ex db IIB T4 Gb**

ZSE101000 e

Konformitätsbewertungsstelle, Sektor Explosionsschutz  
Braunschweig, 21. Juni 2016

  
Dr.-Ing. U. Klausmeyer  
Direktor und Professor

Seite 1/5

EU-Baumusterprüfbescheinigungen ohne Unterschrift und ohne Siegel haben keine Gültigkeit. Auszüge oder Änderungen bedürfen der Genehmigung der Physikalisch-Technischen Bundesanstalt. Physikalisch-Technische Bundesanstalt • Bundesallee 100 • 38116 Braunschweig • DEUTSCHLAND

## Anlage

(13)

(14) EU-Baumusterprüfbescheinigung PTB 08 ATEX 1113 X, Ausgabe: 01

(15) Beschreibung des Produkts

Bei dem Gerät handelt es sich um eine drehende elektrische Maschine zum Antrieb von Pumpen. Der Motorteil ist in der Zündschutzart Druckfeste Kapselung "d" ausgeführt. Die Stromzufuhr erfolgt über schwere Gummischlauchleitung NSSH04 oder ein mindestens gleichwertiges, geprüftes Kabel.

### Beschreibung der Ergänzungen und Änderungen

Die Motortypen D 90 – 2/150 A und D 90 – 4/150 A werden im Zuge dieser Ausgabe 01 mit aufgenommen.

### Bemessungsgrößen für Typ D 90 - 2 / 150 A und D 90 - 4 / 150 A

Diese Bescheinigung gilt unter der Voraussetzung, dass sich die Motoren dieses Typs hinsichtlich der elektrischen und thermischen Beanspruchung nur unwesentlich von dem geprüften Muster unterscheiden, für die folgenden Ausführungen:

#### Typ D 90 - 2 / 150 A

Leistung (Aufnahme):	6,00	kW		
Spannung:	218 - 242	380 - 420	655 - 725	V
Strom:	16,9	9,7	5,6	A
Leistungsfaktor:	0,88...0,9			
Frequenz:	50 oder 60	Hz		
Drehzahl:	2788 bzw. 3088	min <sup>-1</sup>		
Fördermitteltemperatur: max.	40	°C		
Betriebsarten:	S1 für max. 9 cm ausgetauchten Motor, S2 15 min., S3 20 % <sup>1)</sup>			

<sup>1)</sup> Spieldauer 10 min.

Die Bescheinigung gilt auch für Motoren mit einer geringeren Aufnahmeleistung, jedoch maximal bis zu einem Maximalwert von 6,00 kW.

Die entsprechenden Daten sind vom Hersteller auf dem Leistungsschild anzugeben.

Neben den oben angegebenen Spannungen sind auch dazwischenliegende Werte zulässig. Die zugehörigen Ströme sind im reziproken Verhältnis der Spannung umzurechnen.

Gegenüber den Bemessungswerten darf die Netzspannung bis zu  $\pm 5\%$  und die Netzfrequenz bis zu  $\pm 2\%$  entsprechend dem Bereich A nach IEC 60034-1 schwanken.

Seite 2/5

EU-Baumusterprüfbescheinigungen ohne Unterschrift und ohne Siegel haben keine Gültigkeit.  
Diese EU-Baumusterprüfbescheinigung darf nur unverändert weiterverbreitet werden.  
Auszüge oder Änderungen bedürfen der Genehmigung der Physikalisch-Technischen Bundesanstalt.  
Physikalisch-Technische Bundesanstalt • Bundesallee 100 • 38116 Braunschweig • DEUTSCHLAND

(13)

(14) EU-Type Examination Certificate Number PTB 08 ATEX 1113X, Issue: 01

(15) Description of Product

The equipment is a rotary electric machine used for driving pumps. The motor section is designed to Flameproof Enclosure "d" type of protection. For power supply, heavy-duty NSSH04 rubber hose lines are used or tested cables of equivalent or better quality.

### Description of the supplements and changes

The motor types D 90 – 2/150 A and D 90 – 4/150 A shall be included as part of this issue 01.

### Ratings for type D 90 – 2/150 A and D 90 – 4/150 A

This certificate is valid for the following designs providing the motors of this type differ only negligibly from the sample tested as regards the electrical and thermal stresses:

Power: (input)	6,00	kW		
Voltage:	218 - 242	380 - 420	655...725	V
Current:	16,9	9,7	5,6	A
Power factor:	0,88...0,9			
Frequency:	50 or 60	Hz		
Speed: (motor)	2788 resp. 3088	min <sup>-1</sup>		
Temperature of flow medium: max.	40	°C		
Duty Type:	S 1 for max. 9 cm not submerged motor, S2 15 min., S3 20 % <sup>1)</sup>			

<sup>1)</sup> cycle time 10 min.

This certificate also applies for motors with a lower input power, to a maximum value of 6,00 kW.

The manufacturer has to indicate the corresponding data on the rating plate.

In addition to the above-mentioned voltages, intermediate values are also permissible. The associated currents are to be converted in the inverse ratio to the voltages.

The mains voltage may vary by up to  $\pm 5\%$  and the mains frequency by up to  $\pm 2\%$  from the rated values, in keeping with range A according to IEC 60034-1.

sheet 2/5

EU-Type Examination Certificates without signature and official stamp shall not be valid. The certificates may be circulated only without alteration. Extracts or alterations are subject to approval by the Physikalisch-Technische Bundesanstalt.  
In case of dispute, the German text shall prevail.

Physikalisch-Technische Bundesanstalt • Bundesallee 100 • 38116 Braunschweig • GERMANY

**Anlage zur EU-Baumusterprüfbescheinigung PTB 08 ATEX 1113 X, Ausgabe: 01**

Die Bescheinigung gilt auch für Motoren, die mit 60 Hz betrieben werden. Hierbei darf die max. Leistung (Aufnahme) von P1 = 6,00 KW nicht überschritten werden.

Temperaturüberwachung

Bei Motoren mit Kaltleiterschutz muss sichergestellt sein, dass bei festgebremstem Läufer und einem Verhältnis  $I_A/I_N = 4,4$  die Auslösezeit  $t_A = 27,7$  s mit einer Toleranz von  $\pm 20$  % eingehalten wird. Dabei ist vom kalten Motor (20°C) und einer Netzspannung 400 V bei 50 Hz auszugehen.

Zur Vermeidung unzulässig hoher Temperaturen am Motorteil sind folgende Bedingungen zu beachten.  
In der Betriebsart S1 muss der Motor in das Fördermedium eingetaucht (max. Austauschhöhe 9 cm) betrieben werden.

Bei der Betriebsart S2, 15 Minuten sowie bei der Betriebsart S3, 20% mit einer Spieldauer von 10 Minuten muss mindestens das Pumpengehäuse komplett in das Fördermedium eingetaucht sein.

Die Einhaltung der Betriebsart S2 bzw. S3 ist durch die elektrische Steuerung zu gewährleisten. Bei Nichteinhaltung einer dieser Bedingungen für die entsprechende Betriebsart muss der Motor unverzüglich ausgeschaltet werden.

Typ D 90 - 4 / 150 A

Leistung (Aufnahme):	5,82	kW
Spannung:	218 - 242	655 - 725 V
Strom:	17,0	5,7 A
Leistungsfaktor:	0,80	
Frequenz:	50 oder 60	Hz
Drehzahl:	1316 bzw. 1616	min-1
Fördermitteltemperatur: max.	40	°C
Betriebsarten:	S1 für max. 11 cm ausgetauchten Motor, S2 7 min., S3 10 % <sup>1)</sup>	
<sup>1)</sup> Spieldauer	10 min.	

Die Bescheinigung gilt auch für Motoren mit einer geringeren Aufnahmeleistung, jedoch maximal bis zu einem Maximalwert von 5,82 kW.

Die entsprechenden Daten sind vom Hersteller auf dem Leistungsschild anzugeben.

Neben den oben angegebenen Spannungen sind auch dazwischenliegende Werte zulässig. Die zugehörigen Ströme sind im reziproken Verhältnis der Spannung umzurechnen.

Gegenüber den Bemessungswerten darf die Netzspannung bis zu  $\pm 5$  % und die Netzfrequenz bis zu  $\pm 2$  % entsprechend dem Bereich A nach IEC 60034-1 schwanken.

Die Bescheinigung gilt auch für Motoren, die mit 60 Hz betrieben werden. Hierbei darf die max. Leistung (Aufnahme) von P1 = 5,82 KW nicht überschritten werden.

Temperaturüberwachung

Bei Motoren mit Kaltleiterschutz muss sichergestellt sein, dass bei festgebremstem Läufer und einem Verhältnis  $I_A/I_N = 3,5$  die Auslösezeit  $t_A = 26,7$  s mit einer Toleranz von  $\pm 20$  %

Seite 3/5

EU-Baumusterprüfbescheinigungen ohne Unterschrift und ohne Siegel haben keine Gültigkeit.  
Diese EU-Baumusterprüfbescheinigung darf nur unautorisiert weiterverbreitet werden.  
Auszüge oder Änderungen bedürfen der Genehmigung der Physikalisch-Technischen Bundesanstalt.  
Physikalisch-Technische Bundesanstalt • Bundesallee 100 • 38116 Braunschweig • DEUTSCHLAND

**SCHEDULE TO EU-TYPE EXAMINATION CERTIFICATE  
PTB 08 ATEX 1113 X Issue : 01**

The certificate is also valid for motors running with a frequency of 60 Hz. Hereby the max. current (input) of P1 = 6.00 kW may not be exceeded.

Temperature monitoring

For motors with PTC thermistor has to be ensured that with a locked rotor and a ratio of  $I_A/I_N = 4.4$ , the release time  $t_A = 27.7$  s will be maintained at a tolerance of  $\pm 20\%$ . This applies for a cold motor (20 °C) and a rated voltage of 400 V at 50 Hz.

To avoid inadmissibly high temperatures on the motor part the following conditions have to be observed:

For operation in duty type S1 the operated motor has to be submerged in the medium (9 cm max. non-submerged).

For operation in duty type S2, 15 minutes as well as for duty type S3, 20 % with a cycle time of 10 minutes min. the pump housing has to be submerged completely in the medium.

Compliance of duty type S2 resp. S3 is ensured by an electrical control system. In case of non-compliance of one of these conditions for the corresponding duty type the motor has to be switched off immediately.

Type D 90 - 4 / 150 A

Power (input):	5.82	kW
Voltage:	218 - 242	655 - 725 V
Current:	17.0	5.7 A
Power factor:	0.80	
Frequency:	50 or 60	Hz
Speed:	1316 resp. 1616	min-1
Temperature of the medium:	max. 40	°C
Duty type:	S1 with max. 11 cm non-submerged motor, S2 7 min., S3 10 % <sup>1)</sup>	
<sup>1)</sup> cycle time	10 min.	

The certificate is also valid for motors with a lower power input, but up to 5.82 kW as a maximum.

The manufacturer has to specify the corresponding data on the nameplate.

In addition to the above-mentioned voltages, intermediate values are permissible. The associated currents are to be converted in the inverse ratio of the voltages.

The mains voltage may vary by up to  $\pm 5\%$  and the mains frequency by up to  $\pm 2\%$  from the rated values, in keeping with range A according to IEC 60034-1.

The certificate is also valid for motors which are run with a frequency of 60 Hz. The max. power (input) of P1 = 5.82 kW must not be exceeded.

sheet 3/5

EU-Type Examination Certificates without signature and official stamp shall not be valid. The certificates may be circulated only without alteration. Extracts or alterations are subject to approval by the Physikalisch-Technische Bundesanstalt.  
In case of dispute, the German text shall prevail.





**SCHEDULE TO EU-TYPE EXAMINATION CERTIFICATE  
PTB 08 ATEX 1113 X Issue : 01**

Temperature monitoring

For motors with PTC thermistor it has to be ensured that with a locked rotor and a ratio of  $I_{a/I_N} = 3.5$ , the release time  $t_R = 26.7$  s will be maintained at a tolerance ( $\pm 20\%$ ). This applies for a cold motor (20 °C) and a rated voltage of 400 V at 50 Hz.

To avoid inadmissibly high temperatures on the motor the following conditions have to be observed:  
In the duty type S1 the motor has to be submerged in the medium (max. 11 cm non-submerged) during operation.

In the duty type S2, 7 minutes as well with duty type S3, 10 % with a cycle time of 10 minutes at least the pump housing has to be submerged in the medium.

Compliance of duty type S2 resp. S3 has to be ensured by means of electrical control.

In case of non-compliance with one of these conditions of the corresponding duty type the motor has to be switched off immediately.

(16) Test Report PTB Ex 15-15108

(17) Special conditions for safe use

Repairs of the flameproof joints must be made in compliance with the structural specifications provided by the manufacturer. Repairs must not be made on the basis of values specified in tables 1 and 2 of EN 60079-1.

Additional notes for safe operation

Components attached or installed (terminal compartments, bushings, 'Ex' cable glands, connectors) must be of a technical standard that at least complies with the specifications on the cover sheet and for which a separate examination certificate has been issued. The operating conditions specified in component certificates must be followed and they must as a minimum conform with the operating conditions specified in the above mentioned EC-Type Examination Certificate.

Screws complying with strength class A2-70 as a minimum must be used for enclosure of the flameproof chamber.

1. For mains operation

Motors of this type must be protected by two temperature limiters (150  $\pm$  5 °C) in addition to thermally delayed overcurrent releases.

2. For converter operation

2.1 The motors must be protected by a device providing for direct temperature monitoring. This device will comprise:

- temperature sensors embedded in the winding (PTC resistor DIN 44 082-150) and a tripping device



**Anlage zur EU-Baumusterprüfbescheinigung PTB 08 ATEX 1113 X, Ausgabe: 01**

eingehalten wird. Dabei ist vom kalten Motor (20°C) und einer Netzspannung 400 V bei 50 Hz auszugehen.

Zur Vermeidung unzulässig hoher Temperaturen am Motorteil sind folgende Bedingungen zu beachten:

In der Betriebsart S1 muss der Motor in das Fördermedium eingetaucht (max. Austauschhöhe 11 cm) betrieben werden.

Bei der Betriebsart S2, 7 Minuten sowie bei der Betriebsart S3, 10% mit einer Spieldauer von 10 Minuten muss mindestens das Pumpengehäuse komplett in das Fördermedium eingetaucht sein.

Die Einhaltung der Betriebsart S2 bzw. S3 ist durch die elektrische Steuerung zu gewährleisten.

Bei Nichteinhaltung einer dieser Bedingungen für die entsprechende Betriebsart muss der Motor unverzüglich ausgeschaltet werden.

(16) Prüfbericht PTB Ex 15-15108

(17) Besondere Bedingungen

Eine Reparatur an den zünddurchschlagsicheren Spalten darf nur entsprechend den konstruktiven Vorgaben des Herstellers erfolgen. Die Reparatur entsprechend den Werten der Tabelle 1 bzw. 2 der EN 60079-1 ist nicht zulässig.

Zusätzliche Hinweise für den sicheren Betrieb:

Für den Ein- und Anbau von Komponenten (Anschlussräume, Durchführungen, Ex-Kabel- und Leitungseinführungen, Anschlussstelle) sind nur solche zugelassen, die mindestens dem auf dem Deckblatt angegebenen Normenstand technisch entsprechen und für die eine gesonderte Prüfbescheinigung vorliegt. Die in den entsprechenden Bescheinigungen der Komponenten aufgeführten Einsatzbedingungen sind dabei unbedingt zu beachten und müssen mindestens den in der vorstehenden EG-Baumusterprüfbescheinigung spezifizierten Einsatzbedingungen entsprechen.

Für den Abschluss des druckfesten Raumes sind mindestens Schrauben der Festigkeitsklasse A2-70 zu verwenden.

1. Für den Betrieb am Netz

Die Motoren dieses Typs müssen zusätzlich zu thermisch verzögerten Überstromauslösern durch 2 Temperaturbegrenzer (150  $\pm$  5°C) geschützt werden.

2. Für den Betrieb am Umrichter

2.1 Die Motoren müssen durch eine Einrichtung zur direkten Temperaturüberwachung geschützt werden. Diese besteht aus

- in die Wicklung eingebauten Temperaturfühlern (Kalteiter DIN 44 082-150) und einem mindestens nach Richtlinie 94/9/EG hierfür funktionsgeprüftem Auslösegerät.

Die Zusammengehörigkeit von Motor und Überwachungseinrichtung wird auf dem Motor durch ein Zusatzschild gekennzeichnet.

Anlage zur EU-Baumusterprüfbescheinigung PTB 08 ATEX 1113 X, Ausgabe: 01

Überstromschutzeinrichtungen mit stromabhängig verzögerter Auslösung sind hierbei als zusätzliche Überwachung anzusehen.

2.2 Die Motoren werden im Frequenzbereich von 15 Hz bis 50/60 Hz betrieben. Die Ausgangsspannung des Umrichters wird dabei so geregelt, dass im Bereich von 15 Hz bis 50/60 Hz eine annähernd lineare Abhängigkeit zwischen der Spannung und der Frequenz eingehalten wird, d.h. Einhaltung eines praktisch konstanten Maschinenflusses entsprechend den Bemessungsdaten.

Die Strombegrenzung des Umrichters wird höchstens auf den 3fachen Motorstrom eingestellt.

Zusatz- und Überwachungseinrichtungen mit eigener Bescheinigung und Explosionschutzkennzeichnung sind den am Einsatzort vorliegenden Bedingungen entsprechend auszuwählen.

Überwachungseinrichtungen müssen den Anforderungen nach Richtlinie 2014/34/EU und EN 1127-1 genügen.

Weitere einschränkende Hinweise für den sicheren Betrieb sind dem jeweiligen Datenblatt für die Maschinenauslegung zu entnehmen.

Elektrisch-thermische Motorauslegung

Die Datenblätter 01 bis 05 der EG-Baumusterprüfbescheinigung PTB 02 ATEX 1042 sind gleichzeitig Bestandteil der vorstehenden EG-Baumusterprüfbescheinigung.

(18) Grundlegende Sicherheits- und Gesundheitsanforderungen

Erfüllt durch Übereinstimmung mit den vorgenannten Normen.

Nach Artikel 41 der Richtlinie 2014/34/EU dürfen EG-Baumusterprüfbescheinigungen nach Richtlinie 94/9/EG, die bereits vor dem Datum der Anwendung der Richtlinie 2014/34/EU (20. April 2016) bestanden, so betrachtet werden, als wenn sie bereits in Übereinstimmung mit der Richtlinie 2014/34/EU ausgestellt wurden. Mit Genehmigung der Europäischen Kommission dürfen Ergänzungen zu solchen EG-Baumusterprüfbescheinigungen und neue Ausgaben solcher Zertifikate weiterhin die vor dem 20. April 2016 ausgestellte originale Zertifikatsnummer tragen.

Konformitätsbewertungsstelle, Sektor Explosionsschutz

Braunschweig, 21. Juni 2016

Im Auftrag



Dr.-Ing. U. Klausmeyer  
Direktor und Professor



EU-Baumusterprüfbescheinigungen ohne Unterschrift und ohne Siegel haben keine Gültigkeit. Diese EU-Baumusterprüfbescheinigung darf nur unverändert weiterverbreitet werden. Auszüge oder Änderungen bedürfen der Genehmigung der Physikalisch-Technischen Bundesanstalt.  
Physikalisch-Technische Bundesanstalt • Bundesallee 100 • 38116 Braunschweig • DEUTSCHLAND

Seite 5/5

SCHEDULE TO EU-TYPE EXAMINATION CERTIFICATE  
PTB 08 ATEX 1113 X Issue : 01

being at least function tested in accordance with Directive 94/9/EC.

The concerted operation of motor and monitoring device will be indicated by a plate additionally provided on the motor.

Overcurrent protection devices with current-based delayed tripping must in this context be regarded as additional monitoring devices.

2.2 The motors will be operated within the 15-Hz to 50/60-Hz frequency range. The converter output voltage will be controlled so that within the 15-Hz to 50/60-Hz range an approximately linear relationship between voltage and frequency will be maintained, i.e. that a basically constant machine flow in compliance with the ratings will be maintained.

The converter current limitation will be set at three times the motor current as a maximum.

Supplementary and monitoring devices with their own certificate and explosion protection marking have to be selected so that they comply with the conditions at the place of installation.

Monitoring devices must satisfy the requirements in Directives 2014/34/EU and EN 1127-1.

For any additional notes concerning restrictions for safe use, reference is made to the data sheet for the machine design.

Electro-thermal motor design

Data sheets 01 to 05 of EC Type Examination Certificate PTB 02 ATEX 1042 also form part of the above mentioned EC-Type Examination Certificate.

(18) Essential health and safety requirements

Met by compliance with the afore-mentioned Standards.

According to Article 41 of Directive 2014/34/EU, EC-type examination certificates which have been issued according to Directive 94/9/EC prior to the date of coming into force of Directive 2014/34/EU (April 20, 2016) may be considered as if they were issued already in compliance with Directive 2014/34/EU. By permission of the European Commission supplements to such EC-Type examination certificates and new issues of such certificates may continue to hold the original certificate number issued before April 20, 2016.

Konformitätsbewertungsstelle, Sektor Explosionsschutz  
On behalf of PTB:

Braunschweig, June 21, 2016



Dr.-Ing. U. Klausmeyer  
Direktor und Professor



EU-Type Examination Certificates without signature and official stamp shall not be valid. The certificates may be circulated only without alteration. Extracts or alterations are subject to approval by the Physikalisch-Technische Bundesanstalt. In case of dispute, the German text shall prevail.

Physikalisch-Technische Bundesanstalt • Bundesallee 100 • 38116 Braunschweig • GERMANY

sheet 5/5

Bemessungsgrößen und Daten

Diese Bescheinigung gilt unter der Voraussetzung, dass sich die Motoren dieses Typs hinsichtlich der elektrischen und thermischen Beanspruchungen nur unwesentlich von dem geprüften Muster unterscheiden, für die folgenden Ausführungen:

Leistung (Aufnahme):	3,27	kW		
Spannung:	218 - 242	380 - 420	655 - 725	V
Strom:	9,4	5,4	3,1	A
Leistungsfaktor:	0,85			
Frequenz:	50 oder 60			Hz
Drehzahl:	2758 bzw. 3358			min <sup>-1</sup>
Umgebungstemperatur:	max. 40			°C
$I_{th}/I_N$ :	4,5			
Betriebsart:	S1 bei eingetauchtem Motorteil, S2 14 min., S3 25% <sup>1)</sup>			

<sup>1)</sup> Spieldauer 10 min.

Die Bescheinigung gilt auch für Motoren mit einer geringeren Leistung, jedoch maximal bis zu 3,27 kW Aufnahmeleistung.

Die entsprechenden Daten sind vom Hersteller auf dem Leistungsschild anzugeben.

Gegenüber den Bemessungswerten darf die Netzspannung bis zu  $\pm 5\%$  und die Netzfrequenz bis zu  $\pm 2\%$  entsprechend dem Bereich A nach IEC 34-1 schwanken.

Temperaturüberwachung

Bei Motoren mit Kälteerschutz muss sichergestellt sein, dass bei festgebremstem Läufer und einem Verhältnis  $I_{th}/I_N = 4,5$  die Auslösezeit  $t_A = 37,4$  s mit einer Toleranz von  $\pm 20\%$  eingehalten wird. Dabei ist vom kalten Motor (20°C) und einer Netzspannung 400 V bei 50 Hz auszugehen.

Zur Vermeidung unzulässig hoher Temperaturen am Motorteil sind folgende Bedingungen zu beachten: Bei der Betriebsart S1 muss sichergestellt werden, dass der komplette Motor in das Fördermedium eingetaucht ist.

Bei der Betriebsart S2 14 Minuten sowie bei der Betriebsart S3 25% mit einer Spieldauer von 10 Minuten muss mindestens das Pumpengehäuse komplett in das Fördermedium eingetaucht sein.

Die Einhaltung der Betriebsart S2 bzw. S3 ist durch die elektrische Steuerung zu gewährleisten. Bei Nichterhaltung einer dieser Bedingungen für die entsprechende Betriebsart, muss der Motor unverzüglich ausgeschaltet werden.

Prüfbericht PTB Ex 02-32109

Zertifizierungsstelle Explosionsschutz  
Im Auftrag



*A. und*  
Dr.-Ing. U. Engel  
Regelungsdirektor

Braunschweig, 30. Mai 2002

Blatt 1/1

Ratings

This certificate is valid for the following designs providing the motors of this type differ only negligibly from the sample tested as regards the electrical and thermal stresses:

Power (input):	3,27	kW		
Voltage:	218 - 242	380 - 420	655 - 725	V
Current:	9,4	5,4	3,1	A
Power factor:	0,85			
Frequency:	50 or 60			Hz
Speed:	2758 or. 3358			min <sup>-1</sup>
temperature of cooling medium:	max. 40			°C
$I_{th}/I_N$ ratio:	4,5			
Duty Type:	S1 with immersed motor section, S2 14 min., S3 25% <sup>1)</sup>			

<sup>1)</sup> cycle time 10 min.

The certificate is also valid for motors with a lower power input, but up to 3.27 kW as a maximum. The manufacturer must state the corresponding data on the nameplate.

The mains voltage may vary by up to  $\pm 5\%$  and the mains frequency by up to  $\pm 2\%$  from the rated values, in keeping with range A according to IEC 34-1.

Temperature monitoring

For motors with PTC thermistor are to be ensured that with a locked rotor and a ratio of  $I_{th}/I_N = 4,5$ , the release time  $t_A = 37,4$  s will be maintained at a tolerance of  $\pm 20\%$ . This applies for a cold motor (20 °C) and a rated voltage of 400 V at 50 Hz.

To avoid inadmissibly high temperatures on the motor the following conditions are to be considered: For duty type S1 it must be ensured that the complete motor is immersed into the cooling medium. For duty type S2 14 minutes as well as for duty type S3 25% with a cycle time of 10 minutes the pump case must be completely immersed into the cooling medium.

The adherence to the duty type S2 and/or S3 is to be ensured by the electrical control. During disregard one of these conditions for the respective duty type, the motor must be switched off immediately.

Report PTB Ex 02-32109

Zertifizierungsstelle Explosionsschutz

By order

*A. und*  
Dr.-Ing. U. Engel  
Regelungsdirektor



Braunschweig, May 30, 2002

page 1/1

## Physikalisch-Technische Bundesanstalt

Braunschweig und Berlin

Datenblatt 03 zur EG-Baumusterprüfbescheinigung PTB 02 ATEX 1042

der Firma Jung Pumpen GmbH & Co., 33803 Steinhausen, Deutschland

für den Tauchpumpenmotor Typ D 90 - 2 / 110 C bzw. D 90 - 2 / 110 CK

### Bemessungsgrößen und Daten

Diese Bescheinigung gilt unter der Voraussetzung, dass sich die Motoren dieses Typs hinsichtlich der elektrischen und thermischen Beanspruchungen nur unwesentlich von dem geprüften Muster unterscheiden, für die folgenden Ausführungen.

Leistung (Aufnahme):	218 - 242	380 - 420	655 - 725	4,84	kW
Spannung:	13,7	7,9	4,6		V
Strom:		0,90 - 0,85			A
Leistungsfaktor:		50 oder 60			Hz
Frequenz:		2819 bzw. 3419			min <sup>-1</sup>
Drehzahl:		max.	40		°C
Umgebungstemperatur:			5,6		
$I_{L}/I_{N}$ :					
Betriebsart:	S1 bei eingetauchtem Motorteil, S2 14 min., S3 25 % <sup>1)</sup>				

<sup>1)</sup> Spieldauer 10 min.

Die Bescheinigung gilt auch für Motoren mit einer geringeren Leistung, jedoch maximal bis zu 4,84 kW Aufnahmeleistung.

Die entsprechenden Daten sind vom Hersteller auf dem Leistungsschild anzugeben.

Gegenüber den Bemessungswerten darf die Netzspannung bis zu  $\pm 5\%$  und die Netzfrequenz bis zu  $\pm 2\%$  entsprechend dem Bereich A nach IEC 34-1 schwanken.

### Temperaturüberwachung

Bei Motoren mit Kalteleiterschutz muss sichergestellt sein, dass bei festgebremstem Läufer und einem Verhältnis  $I_{L}/I_{N} = 5,6$  die Auslösezeit  $t_A = 23,4$  s mit einer Toleranz von  $\pm 20\%$  eingehalten wird. Dabei ist vom kalten Motor (20°C) und einer Netzspannung 400 V bei 50 Hz auszugehen.

Zur Vermeidung unzulässig hoher Temperaturen am Motorteil sind folgende Bedingungen zu beachten: Bei der Betriebsart S1 muss sichergestellt werden, dass der komplette Motor in das Fördermedium eingetaucht ist.

Bei der Betriebsart S2 14 Minuten sowie bei der Betriebsart S3 25% mit einer Spieldauer von 10 Minuten muss mindestens das Pumpengehäuse komplett in das Fördermedium eingetaucht sein. Die Einhaltung der Betriebsart S2 bzw. S3 ist durch die elektrische Steuerung zu gewährleisten.

Bei Nichteinhaltung einer dieser Bedingungen für die entsprechende Betriebsart, muss der Motor unverzüglich ausgeschaltet werden.

Prüfbericht PTB Ex 02-32109

Zertifizierungsstelle Explosionsschutz  
Im Auftrag



Dr.-Ing. U. Engel  
Regierungsdirektor

*U. Engel*

Braunschweig, 30. Mai 2002

Blatt 1/1

**PTB**

## Physikalisch-Technische Bundesanstalt

Braunschweig und Berlin

DATA SHEET 03 TO EC-TYPE-EXAMINATION CERTIFICATE PTB 02 ATEX 1042

Manufacturer: Jung Pumpen GmbH & Co., 33803 Steinhausen, Germany

for the submersible-pump motor type D 90 - 2 / 110 C or D 90 - 2 / 110 CK

### Ratings

This certificate is valid for the following designs providing the motors of this type differ only negligibly from the sample tested as regards the electrical and thermal stresses:

Power (input):	218 - 242	380 - 420	655 - 725	4,84	kW
Voltage:	13,7	7,9	4,6		V
Current:		0,90 - 0,85			A
Power factor:		50 or 60			Hz
Frequency:		2819 or 3419			min <sup>-1</sup>
Speed:		max.	40		°C
temperature of cooling medium:			5,6		
$I_{L}/I_{N}$ ratio:					
Duty Type:	S1 with immersed motor section, S2 14 min., S3 25% <sup>1)</sup>				

<sup>1)</sup> cycle time 10 min.

The certificate is also valid for motors with a lower power input, but up to 4,84 kW as a maximum. The manufacturer must state the corresponding data on the nameplate.

The mains voltage may vary by up to  $\pm 5\%$  and the mains frequency by up to  $\pm 2\%$  from the rated values, in keeping with range A according to IEC 34-1.

### Temperature monitoring

For motors with PTC thermistor are to be ensured that with a locked rotor and a ratio of  $I_{L}/I_{N} = 5,6$ , the release time  $t_A = 23,4$  s will be maintained at a tolerance of  $\pm 20\%$ . This applies for a cold motor (20 °C) and a rated voltage of 400 V at 50 Hz.

To avoid inadmissibly high temperatures on the motor the following conditions are to be considered: For duty type S1 it must be ensured that the complete motor is immersed into the cooling medium. For duty type S2 14 minutes as well as for duty type S3 25% with a cycle time of 10 minutes the pump case must be completely immersed into the cooling medium.

The adherence to the duty type S2 and/or S3 is to be ensured by the electrical control.

During disregard one of these conditions for the respective duty type, the motor must be switched off immediately.

Report PTB Ex 02-32109

Zertifizierungsstelle Explosionsschutz  
By order



Dr.-Ing. U. Engel  
Regierungsdirektor

Braunschweig, May 30, 2002

page 1/1

# Physikalisch-Technische Bundesanstalt

Braunschweig und Berlin

Datenblatt 04 zur EG-Baumusterprüfbescheinigung PTB 02 ATEX 1042

der Firma Jung Pumpen GmbH & Co., 33803 Steinhagen, Deutschland

für den Tauchpumpenmotor Typ D 90 - 4 / 75 D bzw. D 90 - 4 / 75 DK

Bemessungsgrößen und Daten:

Diese Bescheinigung gilt unter der Voraussetzung, dass sich die Motoren dieses Typs hinsichtlich der elektrischen und thermischen Beanspruchungen nur unwesentlich von dem geprüften Muster unterscheiden, für die folgenden Ausführungen:

Leistung (Aufnahme):	2,80	kW		
Spannung:	218 - 242	380 - 420	655 - 725	V
Strom:	8,2	4,7	2,7	A
Leistungsfaktor:	0,87 - 0,82			
Frequenz:	50 oder 60			
Drehzahl:	1338 bzw. 1638			
Umgebungstemperatur:	max.	40	°C	
$I_n/I_N$ :	3,0			

Betriebsart: S1 bei eingetauchtem Motorteil, S2 11 min., S3 20% <sup>1)</sup>

<sup>1)</sup> Spieldauer 10 min.

Die Bescheinigung gilt auch für Motoren mit einer geringeren Leistung, jedoch maximal bis zu 2,80 kW Aufnahmleistung.

Die entsprechenden Daten sind vom Hersteller auf dem Leistungsschild anzugeben.

Gegenüber den Bemessungswerten darf die Netzspannung bis zu  $\pm 5\%$  und die Netzfrequenz bis zu  $\pm 2\%$  entsprechend dem Bereich A nach IEC 34-1 schwanken.

Temperaturüberwachung

Bei Motoren mit Kälteleiterschutz muss sichergestellt sein, dass bei festgebremstem Läufer und einem Verhältnis  $I_n/I_N = 3,0$  die Auslösezeit  $t_a = 29,3$  s mit einer Toleranz von  $\pm 20\%$  eingehalten wird. Dabei ist vom kalten Motor (20°C) und einer Netzspannung 400 V bei 50 Hz auszugehen.

Zur Vermeidung unzulässig hoher Temperaturen am Motorteil sind folgende Bedingungen zu beachten: Bei der Betriebsart S1 muss sichergestellt werden, dass der komplette Motor in das Fördermedium eingetaucht ist.

Bei der Betriebsart S2 11 Minuten sowie bei der Betriebsart S3 20% mit einer Spieldauer von 10 Minuten muss mindestens das Pumpengehäuse komplett in das Fördermedium eingetaucht sein.

Die Einhaltung der Betriebsart S2 bzw. S3 ist durch die elektrische Steuerung zu gewährleisten.

Bei Nichteinhaltung einer dieser Bedingungen für die entsprechende Betriebsart, muss der Motor unverzüglich ausgeschaltet werden.

Prüfbericht PTB Ex 02-32109

Zertifizierungsstelle Explosionschutz  
Im Auftrag



*A. Engel*  
Dr.-Ing. U. Engel  
Regierungsdirektor

Braunschweig, 30. Mai 2002

# Physikalisch-Technische Bundesanstalt

Braunschweig und Berlin

DATA SHEET 04 TO EG-TYPE-EXAMINATION CERTIFICATE PTB 02 ATEX 1042

Manufacturer: Jung Pumpen GmbH & Co., 33803 Steinhagen, Germany

for the submersible-pump motor type D 90 - 4 / 75 D or D 90 - 4 / 75 DK

Rateds

This certificate is valid for the following designs providing the motors of this type differ only negligibly from the sample tested as regards the electrical and thermal stresses:

Power (input):	2,80			
Voltage:	218 - 242	380 - 420	655 - 725	V
Current:	8,2	4,7	2,7	A
Power factor:	0,87 - 0,82			
Frequency:	50 or 60			
Speed:	1338 or 1638			
temperature of cooling medium:	max.	40	°C	
$I_n/I_N$ ratio:	3,0			
Duty Type:	S1 with immersed motor section, S2 11 min., S3 20% <sup>1)</sup>			

<sup>1)</sup> cycle time 10 min.

The certificate is also valid for motors with a lower power input, but up to 2,80 kW as a maximum. The manufacturer must state the corresponding data on the nameplate.

The mains voltage may vary by up to  $\pm 5\%$  and the mains frequency by up to  $\pm 2\%$  from the rated values, in keeping with range A according to IEC 34-1.

Temperature monitoring

For motors with PTC thermistor are to be ensured that with a locked rotor and a ratio of  $I_n/I_N = 3,0$ , the release time  $t_a = 29,3$  s will be maintained at a tolerance of  $\pm 20\%$ . This applies for a cold motor (20 °C) and a rated voltage of 400 V at 50 Hz.

To avoid inadmissibly high temperatures on the motor the following conditions are to be considered:

For duty type S1 it must be ensured that the complete motor is immersed into the cooling medium. For duty type S2 11 minutes as well as for duty type S3 20% with a cycle time of 10 minutes the pump case must be completely immersed into the cooling medium.

The adherence to the duty type S2 and/or S3 is to be ensured by the electrical control.

During disregard one of these conditions for the respective duty type, the motor must be switched off immediately.

Report PTB Ex 02-32109

Zertifizierungsstelle Explosionschutz  
By order



*A. Engel*  
Dr.-Ing. U. Engel  
Regierungsdirektor

Braunschweig, May 30, 2002

# Physikalisch-Technische Bundesanstalt

Braunschweig und Berlin

Datenblatt 05 zur EG-Baumusterprüfbescheinigung PTB 02 ATEX 1042

der Firma Jung Pumpen GmbH & Co, 33803 Steinhausen, Deutschland

für den Tauchpumpenmotor Typ D 90 - 4 / 110 C bzw. D 90 - 4 / 110 CK

## Bemessungsgrößen und Daten

Diese Bescheinigung gilt unter der Voraussetzung, dass sich die Motoren dieses Typs hinsichtlich der elektrischen und thermischen Beanspruchungen nur unwesentlich von dem geprüften Muster unterscheiden, für die folgenden Ausführungen:

Leistung (Aufnahme):	218 - 242	380 - 420	655 - 725	4,3	4,21	kW
Spannung:	13,0	7,5	0,85 - 0,77	50 oder 60	50 oder 60	V
Strom:			1386 bzw. 1686	max.	40	A
Leistungsfaktor:					3,5	
Frequenz:						Hz
Drehzahl:						min <sup>-1</sup>
Umgebungstemperatur:						°C
$I_{d/I_{N}}$ :						
Betriebsart:	S1 bei eingetauchtem Motorteil, S2 11 min., S3 20% <sup>1)</sup>					
<sup>1)</sup> Spieldauer:	10 min.					

Die Bescheinigung gilt auch für Motoren mit einer geringeren Leistung, jedoch maximal bis zu 4,21 kW Aufnahmeleistung.

Die entsprechenden Daten sind vom Hersteller auf dem Leistungsschild anzugeben.

Gegenüber den Bemessungswerten darf die Netzspannung bis zu  $\pm 5\%$  und die Netzfrequenz bis zu  $\pm 2\%$  entsprechend dem Bereich A nach IEC 34-1 schwanken.

## Temperaturüberwachung

Bei Motoren mit Kälteleiterschutz muss sichergestellt sein, dass bei festigstem Läufer und einem Verhältnis  $I_{d/I_{N}} = 3,5$  die Auslösezeit  $t_A = 24,3$  s mit einer Toleranz von  $\pm 20\%$  eingehalten wird. Dabei ist vom kalten Motor (20°C) und einer Netzspannung 400 V bei 50 Hz auszugehen.

Zur Vermeidung unzulässig hoher Temperaturen am Motorteil sind folgende Bedingungen zu beachten: Bei der Betriebsart S1 muss sichergestellt werden, dass der komplette Motor in das Fördermedium eingetaucht ist.

Bei der Betriebsart S2 11 Minuten sowie bei der Betriebsart S3 20% mit einer Spieldauer von 10 Minuten muss mindestens das Pumpengehäuse komplett in das Fördermedium eingetaucht sein.

Die Einhaltung der Betriebsart S2 bzw. S3 ist durch die elektrische Steuerung zu gewährleisten. Bei Nichterhaltung einer dieser Bedingungen für die entsprechende Betriebsart, muss der Motor unverzüglich ausgeschaltet werden.

Prüfbericht PTB Ex 02-32109

Zertifizierungsstelle Explosionsschutz  
Im Auftrag



*A. Engel*  
Dr.-Ing. U. Engel  
Regierungsdirektor

Braunschweig, 30. Mai 2002

Blatt 1/1

# Physikalisch-Technische Bundesanstalt

Braunschweig und Berlin

DATA SHEET 05 TO EC-TYPE-EXAMINATION CERTIFICATE PTB 02 ATEX 1042

Manufacturer: Jung Pumpen GmbH & Co, 33803 Steinhausen, Germany

for the submersible-pump motor type D 90 - 4 / 110 C or D 90 - 4 / 110 CK

## Ratings

This certificate is valid for the following designs providing the motors of this type differ only negligibly from the sample tested as regards the electrical and thermal stresses:

Power (input):	218 - 242	380 - 420	655 - 725	4,3	4,21	kW
Voltage:	13,0	7,5	0,85 - 0,77	50 or 60	50 or 60	V
Current:			1386 or 1686	max.	40	A
Power factor:					3,5	
Frequency:						Hz
Speed:						min <sup>-1</sup>
temperature of cooling medium:						°C
$I_{d/I_{N}}$ ratio:						
Duty Type:	S1 with immersed motor section, S2 11 min., S3 20% <sup>1)</sup>					
<sup>1)</sup> cycle time:	10 min.					

The certificate is also valid for motors with a lower power input, but up to 4,21 kW as a maximum. The manufacturer must state the corresponding data on the nameplate.

The mains voltage may vary by up to  $\pm 5\%$  and the mains frequency by up to  $\pm 2\%$  from the rated values, in keeping with range A according to IEC 34-1.

## Temperature monitoring

For motors with PTC thermistor are to be ensured that with a locked rotor and a ratio of  $I_{d/I_{N}} = 3,5$ , the release time  $t_A = 24,3$  s will be maintained at a tolerance of  $\pm 20\%$ . This applies for a cold motor (20 °C) and a rated voltage of 400 V at 50 Hz.

To avoid inadmissibly high temperatures on the motor the following conditions are to be considered: For duty type S1 it must be ensured that the complete motor is immersed into the cooling medium. For duty type S2 11 minutes as well as for duty type S3 20% with a cycle time of 10 minutes the pump case must be completely immersed into the cooling medium.

The adherence to the duty type S2 and/or S3 is to be ensured by the electrical control. During disregard one of these conditions for the respective duty type, the motor must be switched off immediately.

Report PTB Ex 02-32109

Zertifizierungsstelle Explosionsschutz  
By order

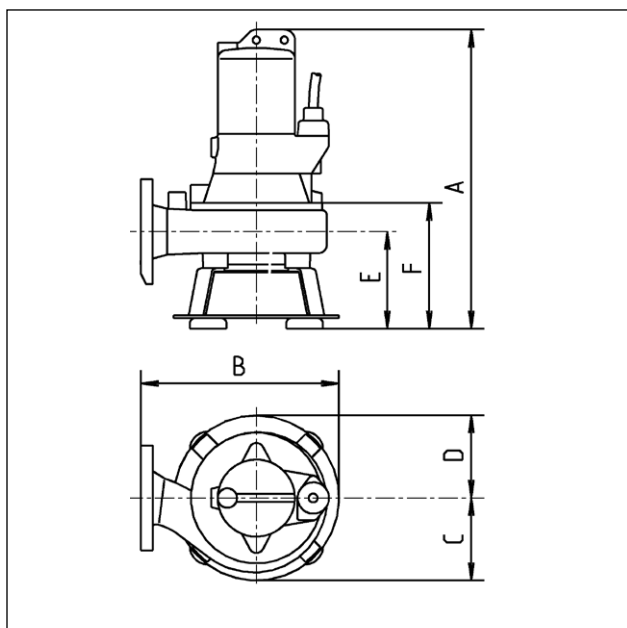


*A. Engel*  
Dr.-Ing. U. Engel  
Regierungsdirektor

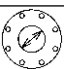
Braunschweig, May 30, 2002

page 1/1

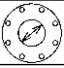
Technische Daten | Technical data | Caractéristiques techniques | Technische gegevens |  
 Dados técnicos | Dati tecnici | Dane techniczne | Technické údaje | Technické údaje |  
 Műszaki adatok | Date tehnice



	A	B	C	D	E	F
10/2 A1	475	325	110	105	135	175
15/2 A1	475	325	110	105	135	175
25/2 A2	475	345	135	135	135	185
35/2 A2	510	345	135	135	135	185
25/2 B1	530	340	135	135	185	240
35/2 B2	570	380	145	135	185	240
10/4 B1	530	340	135	135	185	240
15/4 B3	535	380	160	160	185	240
25/4 B4	535	440	190	160	185	240
35/4 B4	570	440	190	160	185	240
25/4 C1	600	450	195	195	235	305
35/4 C1	635	450	195	195	235	305

	10/2 A1	15/2 A1	25/2 A2	35/2 A2	25/2 B1	35/2 B2
[kg]	41	42	48	52	45	55
 PN 6/10	DN 65	DN 65	DN 65	DN 65	DN 80	DN 80
[mm]	40	40	40	40	70	70
S2	40 min.	32 min.	26 min.	27 min.	26 min.	27 min.
S3*	60 %	50 %	40 %	40 %	40 %	40 %
EX	D 90-2/75	D 90-2/75	D 90-2/75	D 90-2/110	D 90-2/75	D 90-2/110
Motor	08 ATEX 1113 X01	08 ATEX 1113 X01	08 ATEX 1113 X01	08 ATEX 1113 X01	08 ATEX 1113 X01	08 ATEX 1113 X01
II 2 G	Ex db IIB T4 Gb	Ex db IIB T4 Gb	Ex db IIB T4 Gb	Ex db IIB T4 Gb	Ex db IIB T4 Gb	Ex db IIB T4 Gb
P1 / P2 [kW]	1,3 / 1,1	1,8 / 1,5	2,6 / 2,1	3,7 / 3,2	2,6 / 2,2	3,7 / 3,2
U [V]	3/PE x 400	3/PE x 400	3/PE x 400	3/PE x 400	3/PE x 400	3/PE x 400
f [Hz]	50	50	50	50	50	50
I [A]	2,7	3,2	4,4	6,5	4,4	6,5
Ader Ø	6G1,5	6G1,5	6G1,5	6G1,5	6G1,5	6G1,5
cos phi	0,72	0,81	0,86	0,83	0,86	0,83
n [min <sup>-1</sup> ]	2900	2860	2800	2890	2800	2890

- \* Beispiel: 40%: 4 min Betrieb + 6 min Pause (Spieldauer 10 min)
- \* Example for 40%: 4 min. operation and 6 min. rest (Cycle duration 10 min.)
- \* Exemple: 40% = 4 min de service et 6 min de pause (Durée du jeu 10 min)
- \* Eksempel: 40 %: 4 min drift + 6 min pause (spilletid 10 min)
- \* Exemplo para 40%: 4 min. operação e 6 min. pausa (duração de ciclo 10 min.)
- \* Esempio: 40%: 4 min. di funzionamento + 6 min. di pausa (durata del ciclo 10 min.)
- \* Przykładowo 40%: 4 min pracy i 6 min przerwy (Czas cyklu 10 min)
- \* Příklad 40%: 4 min. provoz a 6 min. přestávka (trvání pracovního cyklu 10 min.)
- \* Příklad 40%: 4 min prevádzka a 6 min prestávka (doba trvania cyklu 10 min)
- \* 4 perc üzem és 6 perc szünet (ciklusidő 10 perc)
- \* Exemplu 40%: 4 min funcționare și 6 min pauză (timp aproximativ 10 min)

	10/4 B1	15/4 B3	25/4 B4	35/4 B4	25/4 C1	35/4 C1
[kg]	45	50	59	62	63	67
 PN 6 /10	DN 80	DN 80	DN 80	DN 80	DN 100	DN 100
	[mm]	70	70	70	100	100
S2	45 min.	35 min.	15 min.	16 min.	20 min.	16 min.
S3*	50 %	40 %	25 %	25 %	30 %	25 %
EX Motor II 2 G	D 90-4/ 75 08 ATEX 1113 X01 Ex db IIB T4 Gb	D 90-4/75 08 ATEX 1113 X01 Ex db IIB T4 Gb	D 90-4/75 08 ATEX 1113 X01 Ex db IIB T4 Gb	D 90-4/110 08 ATEX 1113 X01 Ex db IIB T4 Gb	D 90-4/75 08 ATEX 1113 X01 Ex db IIB T4 Gb	D 90-4/110 08 ATEX 1113 X01 Ex db IIB T4 Gb
P1 / P2 [kW]	1,0 / 0,8	1,8 / 1,5	2,7 / 2,1	3,5 / 2,65	2,4 / 1,9	3,5 / 2,65
U [V]	3/PE x 400	3/PE x 400	3/PE x 400	3/PE x 400	3/PE x 400	3/PE x 400
f [Hz]	50	50	50	50	50	50
I [A]	2,3	3,3	4,6	6,9	4,2	6,9
Ader Ø	6G1,5	6G1,5	6G1,5	6G1,5	6G1,5	6G1,5
cos phi	0,60	0,78	0,85	0,74	0,83	0,74
n [min <sup>-1</sup> ]	1440	1385	1375	1425	1395	1420

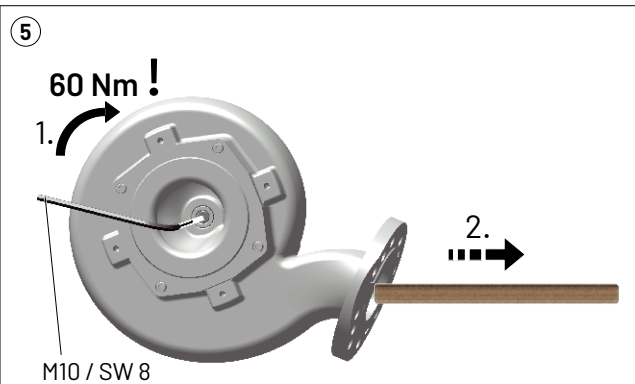
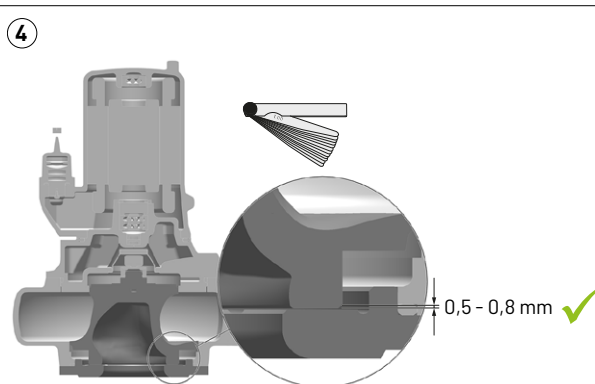
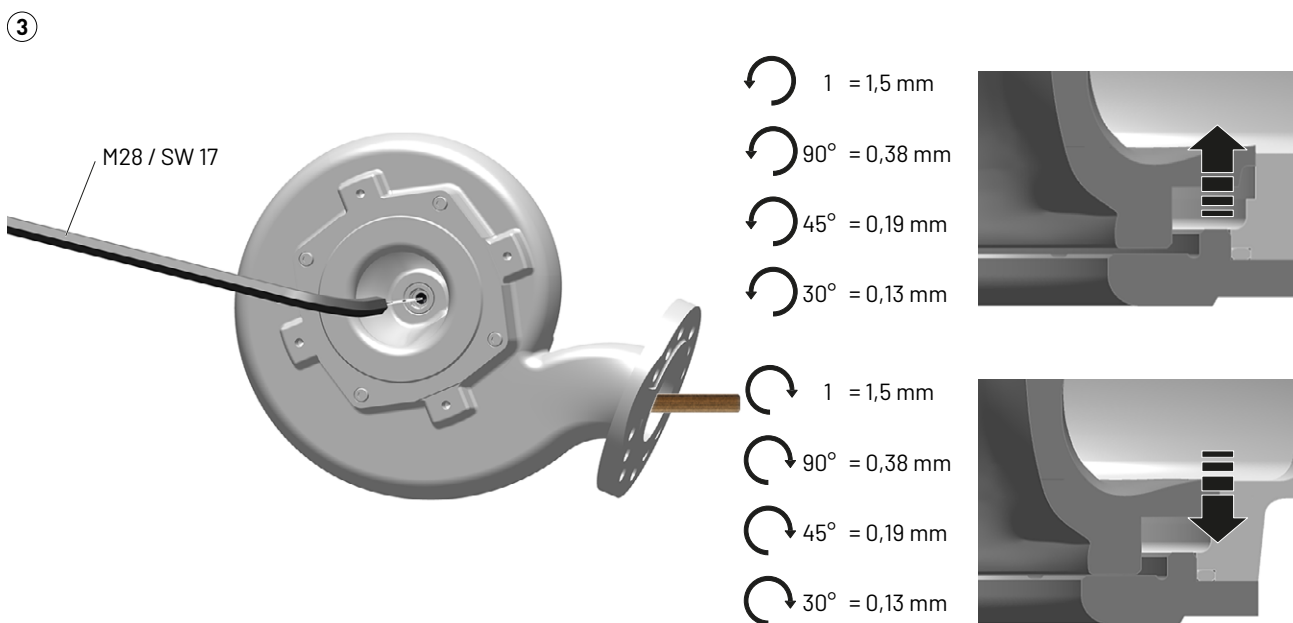
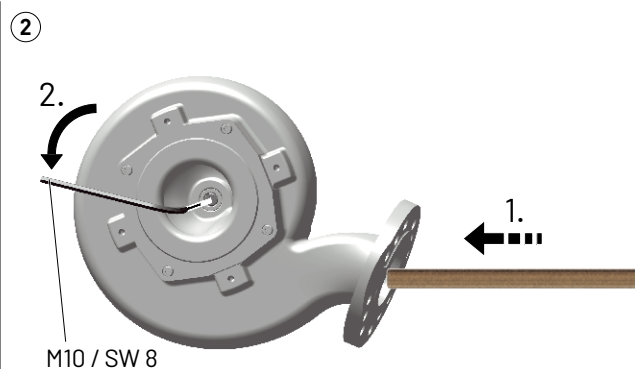
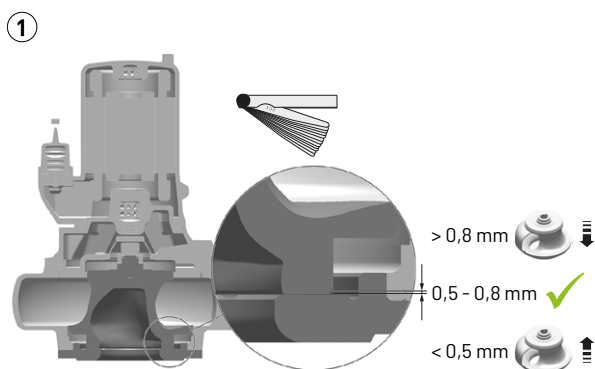
**Leistungen • Performance • Puissances • Capaciteit • Potência • Prestazioni •  
Wydajności i moce • Výkony • Výkony • Teljesítmény • Capacități**

H [m]	1	2	3	4	5	6	7	8	9	10	12	14	16	18	20	22
10/2 A1	38	35	32	29	26	22	19	16	12	9	3					
15/2 A1	50	49	46	43	40	37	35	32	28	25	18	11	5			
25/2 A2	62	60	58	56	54	51	48	45	42	39	33	27	20	13		
35/2 A2	70	68	67	66	64	63	61	58	56	53	48	43	37	30	24	13
25/2 B1	91	86	80	74	68	61	55	49	42	36	20	8				
35/2 B2	126	121	117	111	103	96	89	81	72	65	49	31	16			
10/4 B1	59	52	40	28	14	3										
15/4 B3	98	90	80	70	58	46	35	20	12	6						
25/4 B4	120	114	106	97	87	77	65	53	43	31	9					
35/4 B4	132	125	119	112	104	95	85	74	64	53	30					
25/4 C1	154	139	122	103	87	71	51	32	16							
35/4 C1	170	160	146	133	119	101	89	71	54	36	3					
UC 25/4 C1				104	87	71	51	32	16							
UC 35/2 B2					102	95	88	80	72	65	17					
UC 35/4 C1						103	89	72	54	36	3					
15/26 A1	59	57	55	53	51	48	46	43	41	39	34	28	23	17	12	9
25/26 A2	76	75	74	72	70	68	66	64	62	60	55	50	43	39	34	29
10/46 B1	72	67	60	51	41	30	18	9								
15/46 B3	118	112	105	97	88	78	68	59	49	40	21	8				
25/46 B4	144	138	132	125	119	112	102	93	84	75	54	34	13			

Q [m<sup>3</sup>/h]



Kanalrad-Spalt einstellen | Adjust the impeller gap | Réglage de la fente de la roue de pompe | Instellen van de centrifugaalwaaierspleet | Ajustar a folga do impulsor | Impostazione del gioco della girante a canali | Regulacja luzu wirnika kanałowego | Seřízení mezery kanálového kola | Nastavenie štrbiny rozvádacieho kolesa | Az csatornakerék részének beállítása | Reglarea fantei rotorului cu ajutoraj



**Kanalrad / Laufrad auswechseln | Replacing the impeller | Remplacement de la roue de pompe | Vervanging van de waaier | Substituir o impulsor | Sostituzione della girante | Wymiana wirnika | Výměna oběžného kola | Výmena obežného kolesa | Az futókerekek cseréje | Schimbarea rotorului**



**Vorsicht!**

Kanalräder / Laufräder können scharfe Kanten haben.  
Schutzhandschuhe tragen.

**Caution!**

Channel wheels / impellers may have sharp edges.  
Wear protective gloves.

**Attention !**

Roues à canaux / roues de roulement peuvent avoir des arêtes vives.  
Porter des gants de protection.

**Voorzichtig!**

Kanaalwielen / waaiers kunnen scherpe randen hebben.  
Draag beschermende handschoenen.

**Cuidado!**

As rodas / impulsores dos canais podem ter arestas vivas.  
Usar luvas de protecção.

**Attenzione!**

Le ruote dei canali / giranti possono avere bordi taglienti.  
Indossare guanti protettivi.

**Ostrożnie!**

Koła kanałowe / wirniki mogą mieć ostre krawędzie.  
Stosować rękawice ochronne.

**Pozor!**

Kanálová kola / obežná kola mohou mít ostré hrany.  
Používejte ochranné rukavice.

**Pozor!**

Kanálové kolesá / obežné kolesá môžu mať ostré hrany.  
Používajte ochranné rukavice.

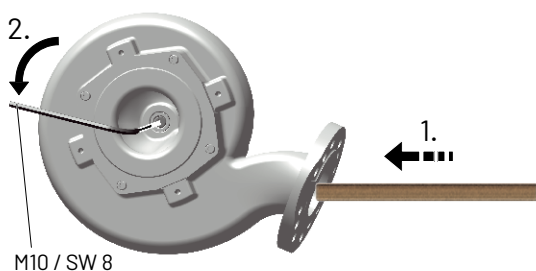
**Vigyázat!**

A csatornakerekek / járókerekek éles éllel rendelkezhetnek.  
Viseljen védőkesztyűt.

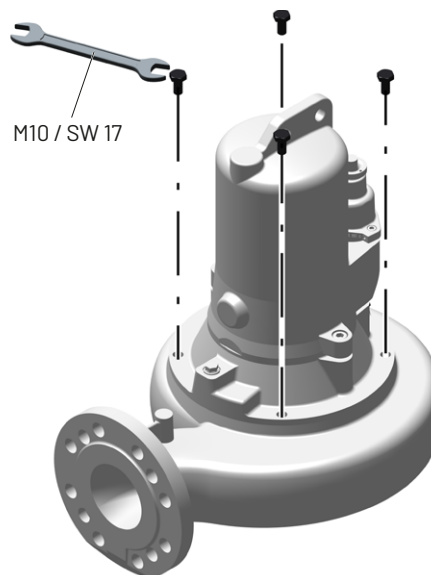
**Atenție!**

Roțile de canal / rotoarele pot avea margini ascuțite.  
Purtați mănuși de protecție.

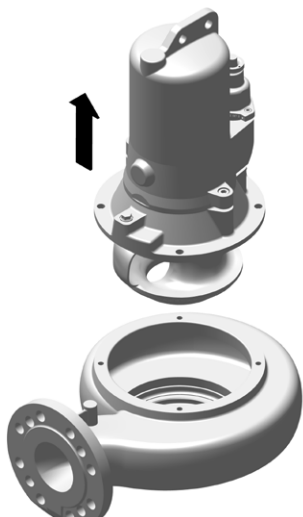
①



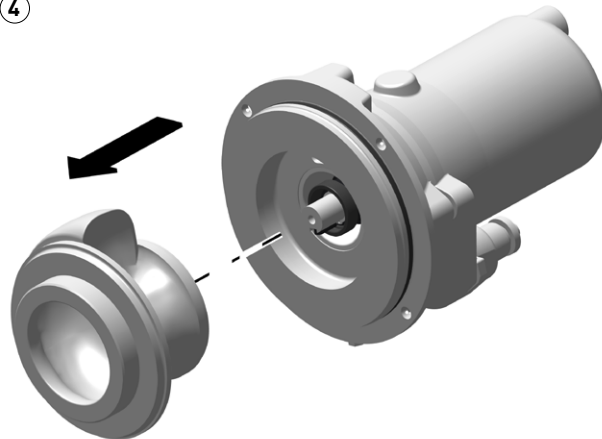
②



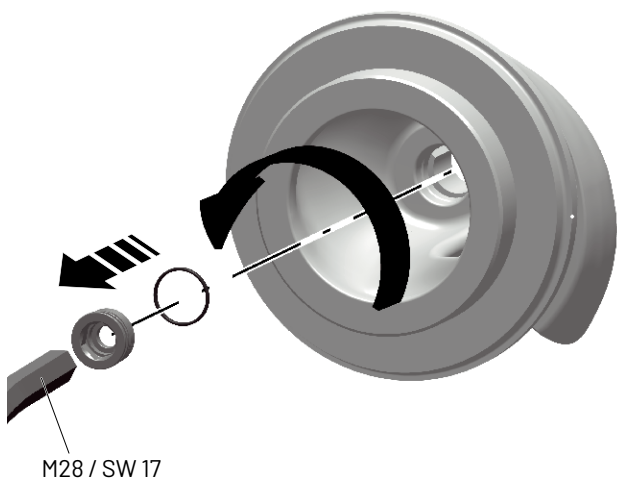
③



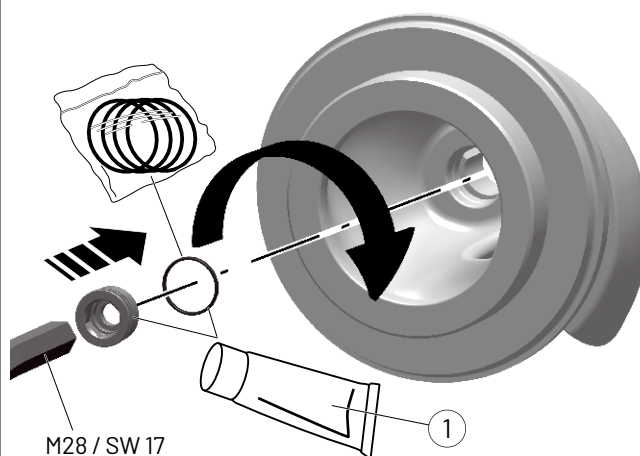
④



⑤

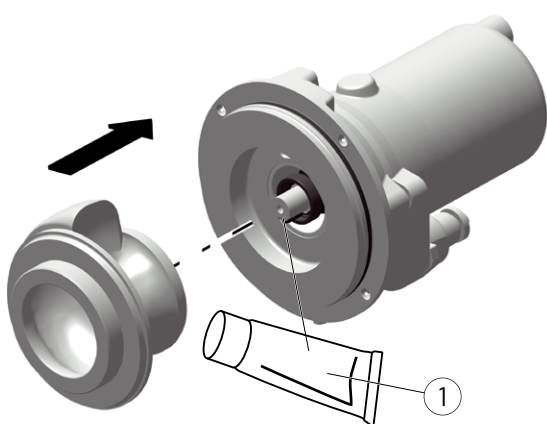


⑥

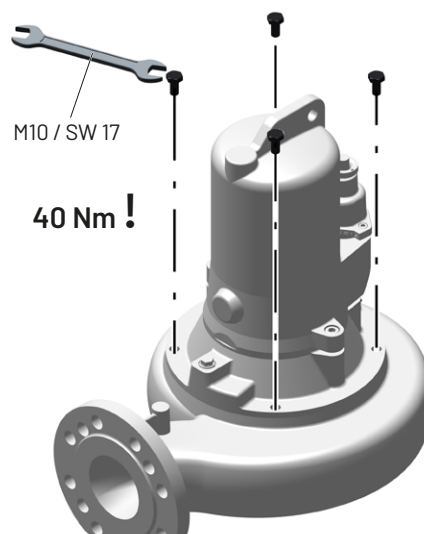


1 Montagepaste, Assembly paste, Pâte de montage, Montagepasta, Pasta de montagem, Pasta di montaggio, Pasta montażowa, Montážní pasta, Montážna pasta, Szerelőpaszta, Pastă de asamblare

⑦

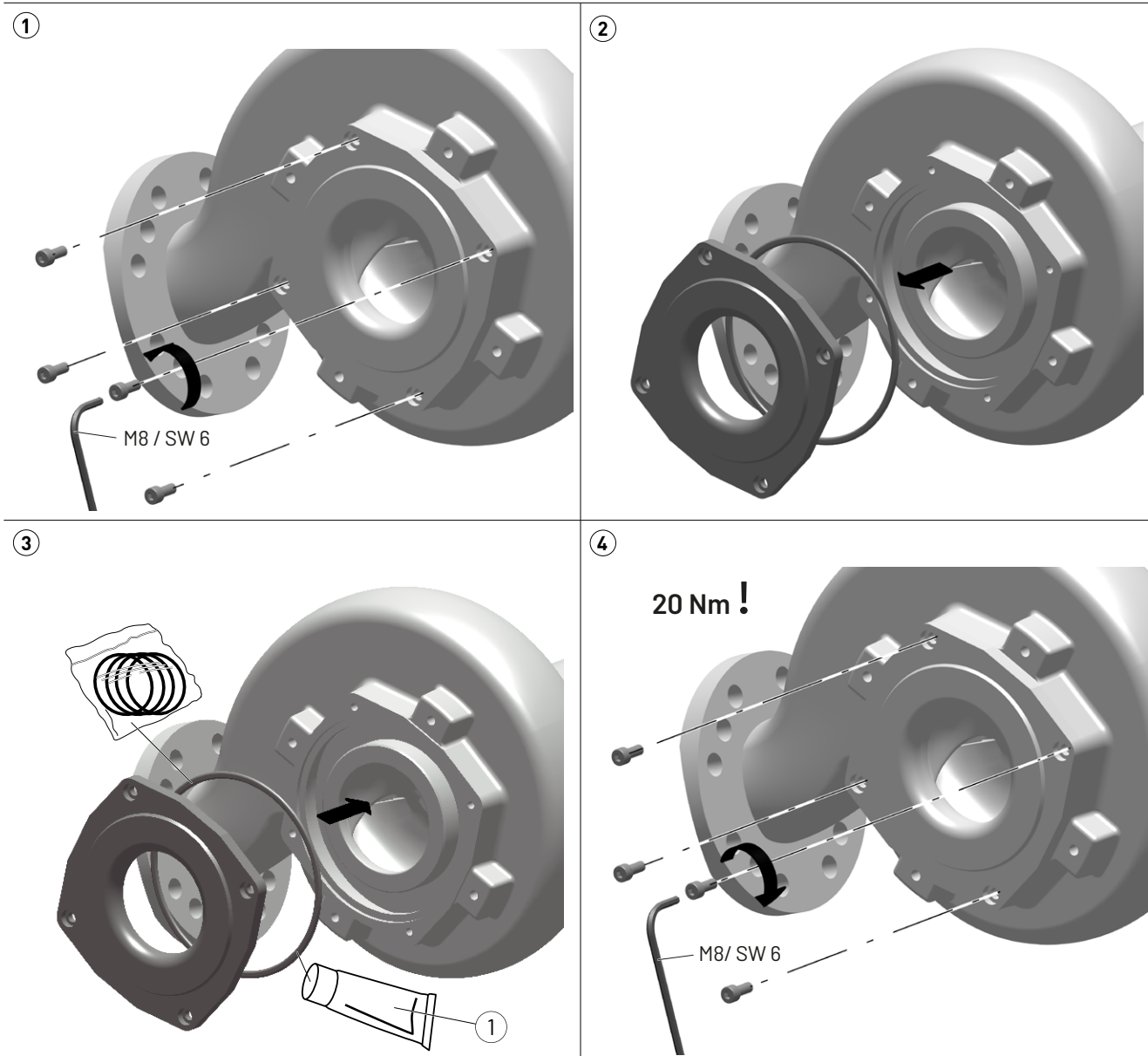


⑧



Kanalrad-Spalt einstellen | Adjust the impeller gap | Réglage de la fente de la roue de pompe | Instellen van de centrifugaalwaaierspleet | Ajustar a folga do impulsor | Impostazione del gioco della girante a canali | Regulacja luzu wirnika kanałowego | Seřízení mezery kanálového kola | Nastavenie štrbiny rozvážacieho kola | Az csatornakerék részének beállítása | Reglarea fantei rotorului cu ajutaj

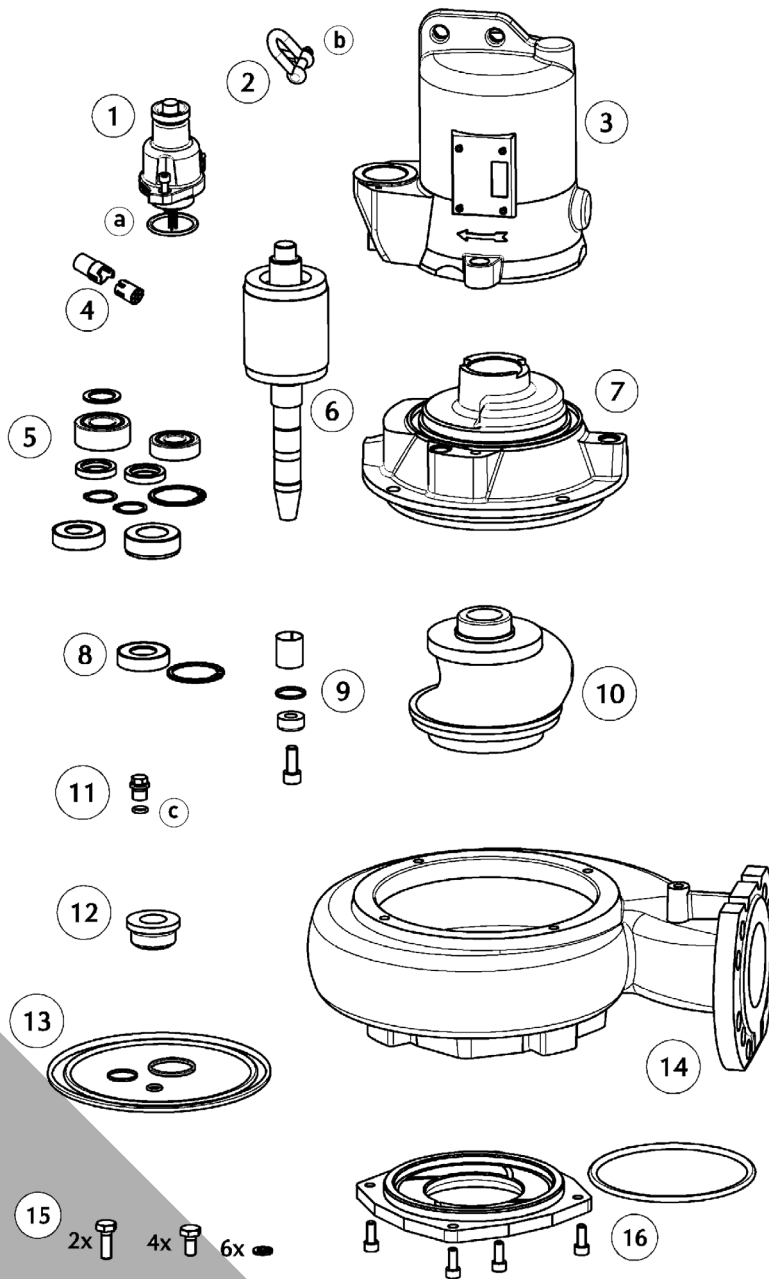
Schleißplatte auswechseln | Replace the wear plate | Changement de la bague d'usure | Vervanging van de slijtring | Substituir a placa de desgaste | Sostituzione dell'anello di usura | Wymiana pierścienia ślizgowego | Výměna opotřebitelného kruhu | Výmena prstenca obloženia | A zárógyűrű cseréje | Schimbarea inelului de uzură



Kanalrad-Spalt einstellen | Adjust the impeller gap | Réglage de la fente de la roue de pompe | Instellen van de centrifugaalwaaierspleet | Ajustar a folga do impulsor | Impostazione del gioco della girante a canali | Regulacja luzu wirnika kanałowego | Seřízení mezery kanálového kola | Nastavenie štrbiny rozvážacieho kolesa | Az csatornakerék részének beállítása | Reglarea fantei rotorului cu ajutaj

**MULTISTREAM 10 - 35**

Ersatzteile - Spare parts - Pièces de rechange - Reserveonderdelen - Parti di ricambio - Reservedele - Reservdelar  
 Varaosat - Części zamienne - Náhradní díly - Alkatrészek - Piese de schimb - Запасные части - 备件



a	10x O-Ring 38x3,5	JP48109
b	10x Splint / Cotter pins 1,6 x 20	JP46182
c	10x O-Ring 10x2,5	JP48088

①	Leitung 10 M EX, 10 M EX, 15 M EX, 20 M	Cable	JP46259 JP45469 JP45583 JP45584
②	Schäkel	Shackle	JP45904
③	Stator + Gehäuse 10/2, 15/2, 25/2 35/2 10/4, 15/4, 25/4 35/4	Stator + Housing	JP44008 JP46211 JP47042 JP47045
④	Steckverbinder	Connector	JP46572
⑤	Lagersatz	Bearing set	JP46214
⑥	Rotorwelle 10/2, 15/2, 25/2 35/2 10/4, 15/4, 25/4 35/4	Rotor shaft	JP47038 JP47039 JP47040 JP47041
⑦	Lagerkammer A1 B1 A2, B2 B3, B4, C1	Bearing housing	JP47068 JP47069 JP47070 JP47071
⑧	Wellenabdeckung	Shaft cover	JP47043
⑨	Laufradbefestigung	Impeller fixation	JP47059
⑩	Laufrad 10/2 A1 15/2 A1 25/2 A2 35/2 A2 25/2 B1 35/2 B2 10/4 B1 15/4 B3 25/4 B4 35/4 B4 25/4 C1 35/4 C1	Impeller	JP47047 JP47048 JP47049 JP47050 JP47051 JP47052 JP47053 JP47054 JP47055 JP47056 JP47057 JP47058
⑪	Ölschraube	Oil screw	JP46046
⑫	Gleitringdichtung	Mechanical seal	JP46567
⑬	Dichtungssatz	Seal set	JP47077
⑭	Pumpengehäuse A1 A2 B1 B2 B3 B4 C1 UC	Pump casing	JP47060 JP47061 JP47062 JP47063 JP47064 JP47065 JP47066 JP47067
⑮	Schraubensatz	Screw set	JP47076
⑯	Schleifring B2 B4 C1	Wear ring	JP47072 JP47073 JP47074
⑰	1l Öl	1l Oil	JP48236



**PUMP TECHNICAL  
SERVICES LIMITED**



**THE SUBMERSIBLE PUMP SPECIALISTS**

✉ [service@pts-jung.co.uk](mailto:service@pts-jung.co.uk)

✉ [sales@pts-jung.co.uk](mailto:sales@pts-jung.co.uk)

Pump House  
Unit 12  
Bilton Road Industrial Estate  
Erith, Kent, DA8 2AN

☎ 01322 357 080

🌐 [pts-jung.co.uk](http://pts-jung.co.uk)