



**PUMP TECHNICAL
SERVICES LIMITED**



THE SUBMERSIBLE PUMP SPECIALISTS

MANUFACTURING | SALES | PROJECT DESIGN | INSTALLATION | MAINTENANCE AND REPAIRS

MULTIFREE


AW1 - AW2


BW1 - BW2

CW1 - CW2 - CW3

EN Instruction Manual



 service@pts-jung.co.uk

 sales@pts-jung.co.uk

Pump House
Unit 12
Bilton Road Industrial Estate
Erith, Kent, DA8 2AN

 01322 357 080

 pts-jung.co.uk

You have purchased a product made by Pentair Jung Pumpen and with it, therefore, also excellent quality and service. Secure this service by carrying out the installation works in accordance with the instructions, so that our product can perform its task to your complete satisfaction. Please remember that damage caused by incorrect installation or handling will adversely affect the guarantee.

This appliance can be used by children aged 8 years or over and by persons with limited physical, sensory or intellectual capabilities, or with limited experience and knowledge, provided that they are supervised or have been instructed in the safe use of the appliance and are aware of the dangers involved. Children must not be allowed to play with the appliance. Cleaning and user maintenance must not be carried out by children unless they are supervised.

Damage prevention in case of failure

Like any other electrical device, this product may fail due to a lack of mains voltage or a technical defect.

If damage (including consequential damage) can occur as a result of product failure, the following precautions can be taken at your discretion:

- Installation of a water level dependent (under circumstances, mains-independent) alarm system, so that the alarm can be heard before damage occurs.
- Inspection of the collecting tank/chamber for tightness up to the top edge before – or at the latest, during – installation or operation of the product.
- Installation of backflow protection for drainage units that can be damaged by wastewater leakage upon product failure.
- Installation of a further product that can compensate in case of failure of the other product (e.g. duplex unit).
- Installation of an emergency power generator.

As these precautions serve to prevent or minimise consequential damage upon product failure, they are to be strictly observed as the manufacturer's guideline – in line with the standard DIN EN specifications as state of the art – when using the product (Higher Regional Court Frankfurt/Main, Ref.: 2 U 205/11, 06/15/2012).

SAFETY INSTRUCTIONS

This instruction manual contains essential information that must be observed during installation, operation and servicing. It is therefore important that the installer and the responsible technician/operator read this instruction manual before the equipment is installed and put into operation. The manual must always be available at the location where the pump or the plant is installed.

Failure to observe the safety instructions can lead to the loss of all indemnity.

In this instruction manual, safety information is distinctly labelled with particular symbols. Disregarding this information can be dangerous.



General danger to people



Warning of electrical voltage

NOTICE! Danger to equipment and operation

Qualification and training of personnel

All personnel involved with the operation, servicing, inspection and installation of the equipment must be suitably qualified for this work and must have studied the instruction manual in depth to ensure that they are sufficiently conversant with its contents. The supervision, competence and areas of responsibility of the personnel must be precisely regulated by the operator. If the personnel do not have the necessary skills, they must be instructed and trained accordingly.

Safety-conscious working

The safety instructions in this instruction manual, the existing national regulations regarding accident prevention, and any internal working, operating and safety regulations must be adhered to.

Safety instructions for the operator/user

All legal regulations, local directives and safety regulations must be adhered to.

The possibility of danger due to electrical energy must be prevented.

Leakages of dangerous (e.g. explosive, toxic, hot) substances must be discharged such that no danger to people or the environment occurs. Legal regulations must be observed.

Safety instructions for installation, inspection and maintenance works

As a basic principle, works may only be carried out to the equipment when it is shut down. Pumps or plant that convey harmful substances must be decontaminated.

All safety and protection components must be re-fitted and/or made operational immediately after the works have been completed. Their effectiveness must be checked before restarting, taking into account the current regulations and stipulations.

Unauthorised modifications, manufacture of spare parts

The equipment may only be modified or altered in agreement with the manufacturer. The use of original spare parts and accessories approved by the manufacturer is important for safety reasons. The use of other parts can result in liability for consequential damage being rescinded.

Unauthorised operating methods

The operational safety of the supplied equipment is only guaranteed if the equipment is used for its intended purpose. The limiting values given in the "Technical Data" section may not be exceeded under any circumstances.

Instructions regarding accident prevention

Before commencing servicing or maintenance works, cordon off the working area and check that the lifting gear is in perfect condition.

Never work alone. Always wear a hard hat, safety glasses and safety shoes and, if necessary, a suitable safety belt.

Before carrying out welding works or using electrical devices, check to ensure there is no danger of explosion.

People working in wastewater systems must be vaccinated against the pathogens that may be found there. For the sake of your health, be sure to pay meticulous attention to cleanliness wherever you are working.

Make sure that there are no toxic gases in the working area.

Observe the health and safety at work regulations and make sure that a first-aid kit is to hand.

In some cases, the pump and the pumping medium may be hot and could cause burns.

For installations in areas subject to explosion hazards, special regulations apply!

AREAS OF APPLICATION

Submersible pumps in the MultiFree range are suitable for pumping wastewater in municipal and industrial pumping stations, and in rainwater retention tanks. The smallest models also perform well in disaster control applications.

MultiFree pumps are favoured for use with:

- wastewater containing fibres that form bundles
- wastewater containing solids (without stones)
- abrasive wastewater
- wastewater containing gas or air pockets
- mixed wastewater
- untreated water
- raw sludge
- surface water and rainwater

The submersible pumps are supplied without explosion protection or with explosion protection.

When using the pumps, the relevant national laws, regulations and stipulations must be adhered to, for example:

- Installation of lowvoltage systems (e.g., VDE 0100 in Germany)
- Safety and working materials (e.g., BetrSichV and BGR 500 in Germany)
- Safety in wastewater systems (e.g., GUV-VC5, GUV-R104, GUV-R126 in Germany)
- Electrical systems and operating resources (e.g., GUV-VA3 in Germany)
- Explosion protection: EN 60079-0, EN 60079-1 and EN 1127-1

For non-standard utilisation conditions in areas subject to explosion hazards, please ask the local authority responsible.

In Germany, this would be, for example, the Trade Supervisory Centre (Gewerbeaufsicht), the Technical Inspection Agency (TÜV), the building authority (Bauamt) or professional organisation (Berufsgenossenschaft).

The installation and operation of this equipment is regulated by the ordinance concerning the protection of health and safety in the provision of work equipment and its use at work, concerning safety when operating installations subject to monitoring, and concerning the organisation of industrial health and safety at work, (Betriebssicherheitsverordnung, Article 1).

Where no explosion protection is stipulated for the pumping of foul wastewater at the installation location, pumps without explosion protection may also be used.

Modes of operation

with the pumped medium at a temperature of 40°C:

Motor submersed: continuous operation S1

Motor emerged: short duration operation S2; see "Technical Data"

Motor emerged: intermittent operation S3; see "Technical Data"

The submersible pump is frost-resistant down to -20°C when stored in dry conditions. When installed, however, it must not be allowed to freeze in the water.

Transport

The pump must never be lifted by the power supply cable! The pump should only be lowered by using a chain.

ELECTRICAL CONNECTION

By using our controls, you can be sure that the requirements of the EU-type-testing certificate are met.

NOTICE! Only qualified electricians may carry out electrical works to the pump or the controls.

The standards applicable in each case (e.g. EN), the country-specific regulations (e.g. VDE in Germany), and the regulations of the local supply network operator must be observed.

NOTICE! Never lay the end of cables in water! Penetrating water may cause malfunctions.

Only slow-blow fuses or automatic fuses with C or D characteristics are to be used as pre-fuses for the pump:

10 A:	10..., 15..., 25..., 35...
16 A:	55...
20 A:	45..., 75...
25 A:	100...

The pump must be protected via an overload trip. Setting for direct on-line start = nominal current, and for star-delta start = nominal current x 0.58.

If the protective device has been triggered, the cause of the malfunction must be eliminated before switching on again.

Coil thermostats

NOTICE! In addition to the overload trip or protective switch of the motor, the thermostats integrated in the motor winding must also be connected. The thermostats are suitable for 250 V / 1.2 A (cos phi = 0.6) and are labelled 30 and 32 for connection purposes.

For this reason, after the protective device has been triggered, the mains cable must be unplugged before remedying the cause of the failure, as otherwise the pump will be automatically switched on again.

Thermostat connection without explosion protection

The thermostats are to be connected in such a way that the motor is switched off via the control circuit when the response temperature is reached. The motor is switched on again automatically after the winding has cooled down.

For this reason, after the protective device has been triggered, the mains cable must be unplugged before remedying the cause of the failure, as otherwise the pump will be automatically switched on again.

Thermostat connection with explosion protection

The thermostats are to be connected in such a way that the motor is switched off via the control circuit when the response temperature is reached. It must not be possible for the motor to switch on again automatically after the winding has cooled down.

⚠ WARNING!

After an automatic cut-out via the temperature limiters, the cause of the malfunction must first be eliminated. Only then may the motor be switched on again manually.

The restart interlock must be "non-resetting on power failure", i.e. the lock must be in place to prevent restarting even after a power cut (in Europe: Directive 2014/34/EU, Appendix II 1.5, EN 60079-17 Table1, B8).

Operation with frequency converter

Frequency converters may only be used for controlling the frequency of special models of three-phase pumps. For hydraulic reasons we do not recommend operation below 30 Hz.

NOTICE! For physical reasons, pumps may not be operated at a higher frequency than that shown on the type plate. If the frequency increases beyond the value on the type plate, the power input increases and the motor is then overloaded.

For special models of three-phase pumps that are designed for frequency converter operation, the motor type shown on the type plate is labelled with an additional "K" (e.g. D90-2/75 CK). These pumps also have a sticker on the end of the cable that indicates their suitability for use with a frequency converter.

These special motors are fitted with PTC thermistors as winding protectors. Voltages of more than 2.5 V may not be connected to the winding protection terminals 40 and 41! For explosion protected pumps, a type-tested tripping unit that complies with the EU type-testing requirements is also necessary.

Rotational direction

The rotational direction must be checked before installation! If the rotational direction is correct, the start-up jolt should be in the opposite direction to the rotational direction arrow on the motor housing. The wrong rotational direction is also indicated if the pump performs inadequately when installed, or if loud noises can be heard during operation. If the rotational direction is wrong, 2 phases of the supply cable must be swapped over.

⚠ CAUTION!

The start-up jolt can be very forceful.

Potential equalisation

To comply with EN 60079-14 and EN 1127-1, an additional equipotential bonding must be installed for facilities with protective earth conductors in TN/TT networks in areas subject to explosion hazards. In Germany, for example, the design must be in accordance with VDE 0100, Part 540 (Association of German Electrical Engineers).

No additional potential equalisation is required on site for JUNG PUMPEN concrete or plastic chambers in explosion zones 1 and 2 (statement made by TÜV Nord (Technical Inspection Agency) in March 2008).

Exception: if conductive parts, such as cable protection sleeves made of corrugated pipe or a pressure pipe made of metal, are connected to the chamber from the outside. In this case, an electrically conductive connection must be made between the conductive parts and the housing of the pump(s). For corrosion protection reasons, the connection should be made using stainless steel.

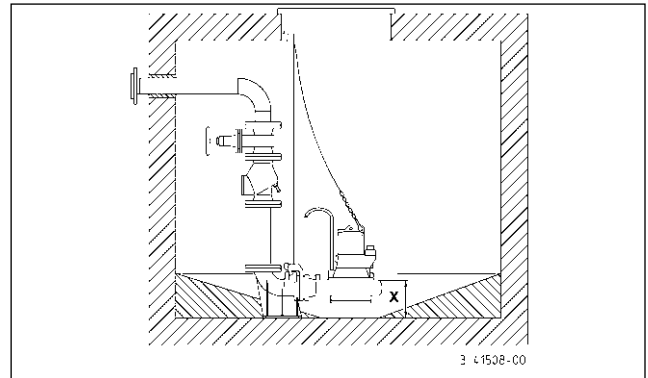
Explosion protected pumps have a special connection point at the cable entry point.

INSTALLATION

NOTICE! Before the pump can be installed, the 4 plastic packaging feet must be unscrewed from the bottom of the pump housing and removed.

For installations in accordance with EN 12056-4, the pressure pipe must be laid in a loop above the local back pressure level and protected with a back pressure prevention valve.

Example installation with guide rail system



Assembly: Fix the coupling base firmly to the floor of the collection chamber using plugs and then mount the guide rails. Next, install the pressure pipe including the necessary fittings, such as the non-return valve and shut-off valves.

Finally, fit the pump with the screwed-on coupling catch on to the guide rails and lower it into place using a chain fixed to the shackle.

A fixing facility for lifting gear should be provided above the chamber opening at a sufficient height.

Level monitoring can be carried out using various systems. Their specific characteristics and requirements can be found in the relevant operating manuals.

⚠ WARNING!

In accordance with the explosion protection laws and regulations, JUNG EX-pumps should never be allowed to run dry or to operate in "snore" mode.

The pump must switch off when the water level sinks to the upper edge of the pump housing (x in the illustration), at the very latest. This shut-down must be implemented via a separate switching circuit. Dry running for servicing or inspection purposes may only take place outside the potentially explosive area.

A correspondingly larger diameter pipe should be used for longer pressure pipelines to avoid pipe friction losses.

Rising pressure pipes must be protected from frost! A chamber cover must be selected that is suitable for the intended use and has the required load-bearing capacity.

If necessary, the pump housing can be ventilated by unscrewing the "LUFT" sealing screw. A flushing pipe, available as an accessory, can be installed to minimise deposits and the formation of floating layers in the chamber.

If the pump is malfunctioning, part of the contents of the oil reservoir could escape into the pumping medium.

Not EX-pumps. If a hose is used as a pressure line, care must be taken to ensure that for every pumping operation the hose is completely empty before the pump is submerged. Any residual liquid would obstruct the ventilation of the pump housing

and therefore also hinder the pumping operation.

This situation can also occur if the pump runs dry, pumps down to a lower lever than that shown in the installation drawing, or runs in "snore" mode during the daily test run.

In these cases, the pump housing must be ventilated by unscrewing the "LUFT" sealing screw.

SERVICING

Maintenance and inspection of this product must be carried out in accordance with EN 12056-4 and EN 60079-14.

To ensure continued reliability of service, we recommend that you take out a service contract.



WARNING!

Before carrying out any works: disconnect the pump and the controls from the mains and take steps to ensure that it cannot be energized again.



WARNING!

Check the mains cable for signs of mechanical and chemical damage. Damaged or kinked cables must be replaced by the manufacturer.

NOTICE! When using a chain to lift the pump, please observe the relevant national regulations regarding accident prevention. Lifting gear must be checked regularly by an expert in accordance with the legal regulations.

NOTICE! Motors in the Ex-range conform to the "flameproof enclosures" ignition protection category. Maintenance works that affect the explosion protection may only be carried out by authorised specialists or by the manufacturer. When carrying out repairs, all areas next to flameproof gaps must be checked for damages and, if necessary, replaced by genuine parts.

Oil check

The oil reservoir is sealed on the outside with a sealing screw "OEL" (oil). In order to check the mechanical seal, the oil, including any residue, must be drained from the oil reservoir and collected in a clean measuring container.

- If the oil is contaminated with water (milky), an oil change must be carried out. Check again after a further 300 operating hours, but at the very latest after 6 months!
- However, if the oil is contaminated with both water and pollutants, then not only the oil must be replaced, but the mechanical seal as well.

For monitoring the oil reservoir, it is also possible to retrofit the electrode of our "DKG" or DKG-Ex" seal leak control device in place of the "DKG" sealing screw.

Changing the oil

To ensure operational liability, the first oil change should be carried out after 300 operating hours, with further oil changes carried out after every 1000 operating hours.

If the number of operating hours is very low, an oil change should still be carried out at least once a year.

If wastewater with strongly abrasive constituents is being pumped, the oil changes should be carried out at correspondingly shorter intervals.

Use HLP hydraulic mineral oil, viscosity class 22 to 46, e.g. Mo-

bil DTE 22, DTE 24, DTE 25, to replace the oil in the oil reservoir. The quantity of oil required is 1000 cm³ for pumps 10-45... and 1700 cm³ for pumps 55-100...

NOTICE! The oil reservoir may only be filled with the specified quantity of oil. Overfilling will result in the pump being rendered inoperable.

Cleaning

To clean the vortex impeller and the ring housing, simply remove the hexagonal screws just above the ring housing and lift the motor unit off the ring housing.



CAUTION!

Worn impellers can have sharp edges.

NOTICE! If the wrong screws are unscrewed, the oil will run out of the oil reservoir.

Tightening torque M_A for A2 screw materials

for M 6 $M_A = 8 \text{ Nm}$

for M 8 $M_A = 20 \text{ Nm}$

for M 10 $M_A = 40 \text{ Nm}$

for M 12 $M_A = 70 \text{ Nm}$

for M 16 $M_A = 160 \text{ Nm}$

Checking the pump unit

The housing screws for the pump, and the connecting and fixing screws of the installation must be checked to ensure they are fixed securely. They should be tightened if necessary.

If the pump performance decreases, or if increasingly loud noises can be heard during operation, the open centrifugal impeller must be checked for wear by an expert and replaced if necessary.

Replacing the impeller



CAUTION!

Worn impellers can have sharp edges.

1. Remove the 4 hexagonal screws and lift the motor unit off the ring housing.
2. Block the impeller to prevent it from turning.
3. Loosen the central impeller screw located in the impeller hub.
4. Loosen the impeller by knocking it gently with a hammer and then slide it off the shaft (use wedges or pullers if necessary).
5. Clean all the parts of the impeller mounting.
6. Grease the shaft cover on the inside.
7. Fit a new feather key in the shaft keyway and grease it.
8. Slide the new impeller right onto the shaft.
9. Immobilise the rotor and tighten the central fastening screw as specified in the torque table. No adjustment is needed to the impeller.
10. Mount the motor unit on the ring housing; the cable entry point is opposite the discharge branch.

EU-Konformitätserklärung
 EU-Prohlášení o shodě
 EU-Overensstemmelserklæring
 EU-Dichiarazione di conformità
 EU-Declaración de Conformidad
 EU-Vaatimustenmukaisuusvakuutus

FR - Directives - Normes harmonisées
 HU - Irányelvek - Harmonizált szabványok
 IT - Direttive - Norme armonizzate
 SK - Smernice - Harmonizované normy
 NL - Richtlijnen - Geharmoniseerde normen
 PL - Dyrektywy - Normy zharmonizowane

- 2006/42/EG (MD) EN 808:1998/AC:2010, EN ISO 12100:2010
- 2011/65/EU (RoHS)
- 2014/30/EU (EMC) EN 60034-1: 2010/AC: 2010, EN 61000-5-2:2014, EN 61000-3-3:2013

JUNG PUMPEN GmbH - Industriest. 4-6 - 33803 Steinhagen - Germany - www.jung-pumpen.de

DE - Wir erklären in alleiniger Verantwortung, dass das Produkt den aufgeführten Richtlinien entspricht.
 CS - Prohlášeníje na svou výlučnou odpovědnost, že výrobek odpovídá jmenovaným směrnicím.
 DA - Vi erklærer under ansvar at produktet i overensstemmelse med de retningslinjer.
 EN - We hereby declare, under our sole responsibility, that the product is in accordance with the specified Directives.
 FI - Me vakuutamme omalla vastuullamme, että tuote täyttää ohjeita.
 FR - Nous déclarons sous notre propre responsabilité que le produit répond aux directives.
 HU - Kizárólagos felelősségünk tudatában kijelentjük, hogy ez a termék megfelel az Európai Unió fennvezetett irányelveinek.
 IT - Noi dichiariamo sotto la nostra esclusiva responsabilità che il prodotto è conforme alle direttive citate.
 NL - Wij verklaren geheel onder eigen verantwoordelijkheid dat het product voldoet aan de gestelde richtlijnen.
 PL - Z pełnią odpowiedzialność oświadczamy, że produkt odpowiada postanowieniom wymienionych dyrektyw.
 PT - Declaramos, sob nossa exclusiva responsabilidade, que o produto está em conformidade com as Diretivas especificadas.
 RO - Declăram pe proprie răspundere că produsul corespunde normelor prevăzute de directivele mai sus menționate.
 SK - Na výlučnú zodpovednosť vyhlasujeme, že výrobok spĺňa požiadavky uvedených smerníc.
 SV - Vi försäkrat att produkten på vårt ansvar är utförd enligt gällande riktlinjer.

- 10/2 AI (JP09615/4) 10/2 AW1 (JP47280)
- 10/4 BI (JP09618/4) 10/4 CW1 (JP09610/5)
- 15/2 AI (JP09618/4) 15/2 AW2 (JP46794)
- 15/4 B1 (JP09622/4) 15/4 CW1 (JP46793)
- 25/2 A21 (JP09617/4) 25/2 AW1 (JP09651/1)
- 25/4 B1 (JP09618/4) 25/4 CW1 (JP09617/5)
- 25/4 B4 (JP09624/4) 25/4 AW1 (JP09448/1)
- 25/4 C1 (JP09624/4) 25/4 AW2 (JP46793)
- 35/2 A2 (JP09632/4) 35/2 B1 (JP09632/4)
- 35/4 B4 (JP09647/4) 35/4 CW1 (JP09655/5)
- 35/4 C1 (JP09646/4) 35/2 AW1 (JP09151/4)
- 25/2 ME (JP50356/6)
- 35/2 M1 (JP50357)
- 35/2 M2 (JP50358)
- 35/2 M3 (JP50359)
- 35/2 M4 (JP50360)
- 45/2 M1 (JP50370)

DE - Weitere normative Dokumente CS - Jinými normativními dokumenty DA - Andre norma-
 tive dokumenter EN - Other normative documents FI - Muitten normien FR - Autres docu-
 ments normatifs HU - Egyéb szabványos dokumentumokban feltüntetett EN - Altri documenti
 tecnici PL - Verleire normatywne dokumenty PL - Innymi dokumentami normatywnymi
 PT - Outros documentos normativos RO - Alte acte normative SK - Inym záväznými dokumen-
 tom SV - Vidare normerande dokument

EN 60034-5-2:2011/A1:2007

JUNG PUMPEN - Stefan Singes - Industriest. 4-6 - 33803 Steinhagen

Steinhagen, 05-01-2022


 Stefan Singes, General Manager


 Pascal Kollbeck, Sales Manager

EU-Konformitätserklärung
 EU-Prohlášení o shodě
 EU-Overensstemmelserklæring
 EU-Dichiarazione di conformità
 EU-Declaración de Conformidad
 EU-Vaatimustenmukaisuusvakuutus

DE - Richtlinien - Harmonisierte Normen
 CS - Smernice - Harmonizované normy
 DA - Direktiv - Harmoniseret standard
 SK - Smernice - Harmonizované normy
 NL - Richtlijnen - Geharmoniseerde normen
 PL - Dyrektywy - Normy zharmonizowane

- 2006/42/EG (MD) EN 808:1998/AC:2010, EN ISO 12100:2010
- 2011/65/EU (RoHS)
- 2014/30/EU (EMC) EN 60034-1: 2010/AC: 2010, EN 61000-3-2:2014, EN 61000-3-3:2013

JUNG PUMPEN GmbH - Industriest. 4-6 - 33803 Steinhagen - Germany - www.jung-pumpen.de

DE - Wir erklären in alleiniger Verantwortung, dass das Produkt den aufgeführten Richtlinien entspricht.
 CS - Prohlášeníje na svou výlučnou odpovědnost, že výrobek odpovídá jmenovaným směrnicím.
 DA - Vi erklærer under ansvar at produktet i overensstemmelse med de retningslinjer.
 EN - We hereby declare, under our sole responsibility, that the product is in accordance with the specified Directives.
 FI - Me vakuutamme omalla vastuullamme, että tuote täyttää ohjeita.
 FR - Nous déclarons sous notre propre responsabilité que le produit répond aux directives.
 HU - Kizárólagos felelősségünk tudatában kijelentjük, hogy ez a termék megfelel az Európai Unió fennvezetett irányelveinek.
 IT - Noi dichiariamo sotto la nostra esclusiva responsabilità che il prodotto è conforme alle direttive citate.
 NL - Wij verklaren geheel onder eigen verantwoordelijkheid dat het product voldoet aan de gestelde richtlijnen.
 PL - Z pełnią odpowiedzialność oświadczamy, że produkt odpowiada postanowieniom wymienionych dyrektyw.
 PT - Declaramos, sob nossa exclusiva responsabilidade, que o produto está em conformidade com as Diretivas especificadas.
 RO - Declăram pe proprie răspundere că produsul corespunde normelor prevăzute de directivele mai sus menționate.
 SK - Na výlučnú zodpovednosť vyhlasujeme, že výrobok spĺňa požiadavky uvedených smerníc.
 SV - Vi försäkrat att produkten på vårt ansvar är utförd enligt gällande riktlinjer.

- 55/2 B2 (JP09663/2) 100/2 B5 (JP09740/1)
- 55/4 B6 (JP00486/3) 100/4 C2 (JP09678/1)
- 55/4 C2 (JP00487/3) 100/4 C5 (JP09275/1)
- 55/4 C5 (JP09801/2) 55/4 CW2 (JP47234)
- 55/4 CW2 (JP48287)
- 100/2 B5 (JP00486/3) 100/2 B1 (JP46871)
- 75/4 B6 (JP00486/3) 100/2 B1 (JP46871)
- 75/4 C2 (JP00486/3) 100/4 BW2 (JP46875)
- 75/4 C5 (JP09804/2) 100/4 CW3 (JP47354)
- 75/2 M1 (JP46873) 75/2 M1 (JP50377)
- 75/2 M2 (JP46881) 75/2 M1 (JP50377)
- 75/4 BW2 (JP46877) 75/4 CW2 (JP47234)

DE - Weitere normative Dokumente CS - Jinými normativními dokumenty DA - Andre norma-
 tive dokumenter EN - Other normative documents FI - Muitten normien FR - Autres docu-
 ments normatifs HU - Egyéb szabványos dokumentumokban feltüntetett EN - Altri documenti
 tecnici PL - Verleire normatywne dokumenty PL - Innymi dokumentami normatywnymi
 PT - Outros documentos normativos RO - Alte acte normative SK - Inym záväznými dokumen-
 tom SV - Vidare normerande dokument

EN 60034-5-2:2011/A1:2007

JUNG PUMPEN - Stefan Singes - Industriest. 4-6 - 33803 Steinhagen

Steinhagen, 05-01-2022


 Stefan Singes, General Manager


 Pascal Kollbeck, Sales Manager

EU-Konformitetserklring
EU-Prohlsieni o shod
EU-Overensstemmelseserklring
EU-Declaratio de conformitte
EU-Dichiarazio de conformitte
EU-Vyhszenie o zhode
EU-Frskran om verenstmmelse

DE - Richtlinien - Harmonisierte Normen
CS - Smrnice - Harmonizovn normy
DA - Direktiv - Harmoniseret standard
EN - Directives - Harmonisrde normen
FI - Direktiivi - Yhdenmukaistettu standardi
FR - Directives - Normes harmonises
HU - Irnyelve - Normas harmonizdas
IT - Direttive - Norme armonizzate
SK - Smernice - Harmonizovn normy
SV - Direktiv - Harmoniserade normer
PL - Dyrektywy - Normy zharmonizowane

• 2011/65/EU (MD)
• 2011/65/EU (RoHS)
• 2014/30/EU (EMC)
• 2014/34/EU (ATEX)

EN 6008-1998/AC:2010, EN ISO 12100:2010
EN 60034-1: 2010/AC: 2010, EN 61000-3-2:2014, EN 61000-3-3:2013
EN 60079-0:2018, EN 60079-1:2014

JUNG PUMPEN GmbH - Industriest. 4-6 - 33603 Steinhagen - Germany - www.jung-pumpen.de

DE - Wir erklren in alleiniger Verantwortung, dass das Produkt den aufgefhrten Richtlinien entspricht.
CS - Prohlsujeme na svou vchodu odpovdnost, e výrobek odpovdn jmenovanm smrnici.
DA - Vi erklrer under ansvar at produktet i verenstemmelse med de retningslinjer.
EN - We hereby declare, under our sole responsibility, that the product is in accordance with the specified Directives.
FI - M vakuutamme omalla vastuullamme, ett tuote tyrtt ohjeita.
FR - Nous dclarons sous notre propre responsabilit que le produit rpond aux directives.
HU - Kizozrlogos felelsgunk tudatban kijelentjnk, hogy ez a termk megfelel az Eurpai Unio felelmezett irnyelveinek.
IT - Noi dichiariamo sotto la nostra esclusiva responsabilit che il prodotto  conforme alle direttive citate.
NL - Wij verklaren geheel onder eigen verantwoordelijkheid dat het product voldoet aan de geseide richtlijnen.
PL - Z pewn odpowiedzialnoci owiadczyamy, e produkt odpowiada postanowieniom wymienioanych dyrektyw.
PT - Declaramos, sob nossa exclusiva responsabilidade, que o produto est em conformidade com as Diretivas especificadas.
RO - Declaram pe proprie raspundere c produsul corespunde normelor prevzute de directivele mai sus menionate.
SK - Na vchodu zodpovednost vyhlsujeme, e výrobok spn pozadavky uvedench smernic.
SV - Vi frskrar att produktn p vrt ansvar r utfrd enligt gllande riktlinjer.

10/2 A1 EX (JP09828/4) 10/2 AM1 EX (JP42980) 25/2 AM1 EX (JP09272) 45/2 CM1 EX (JP47353) 38/2 M EX (JP03366)
10/4 B1 EX (JP09833/4) 10/4 CM1 EX (JP09469/1) 25/2 BM1 EX (JP09469/1) 45/4 AM2 EX (JP46869) 38/2 M EX (JP03367)
15/2 A1 EX (JP09829/4) 15/2 AM1 EX (JP42782) 25/4 AM1 EX (JP46878) 45/4 AM2 EX (JP46869) 38/2 M EX (JP03368)
15/4 B1 EX (JP09833/4) 15/4 AM2 EX (JP46782) 25/4 BM1 EX (JP09469/1) 45/4 CM2 EX (JP47237) 45/2 M EX (JP03371)
25/2 A2 EX (JP09830/4) 15/4 BM1 EX (JP09469/1) 25/4 CM1 EX (JP09372) 45/2 M EX (JP03372) 45/2 M EX (JP03372)
25/2 B1 EX (JP09833/4) 15/4 CM1 EX (JP09815/5) 35/2 AM1 EX (JP09327/4) 45/2 M EX (JP03373) 45/2 M EX (JP03362)
25/2 B4 EX (JP09833/4) 25/2 AM1 EX (JP09500/4) 35/2 BM1 EX (JP09500/1) 45/2 M EX (JP03022) 38/2 M Tan. EX (JP03366)
25/4 C1 EX (JP09853/4) 25/2 AM1 EX (JP46123) 35/4 AM2 EX (JP46060/1) 35/2 M EX (JP03060) 38/2 M Tan. EX (JP03366)
35/2 A2 EX (JP09853/4) 25/2 AM1 EX (JP46124) 35/4 CM1 EX (JP09360) 35/2 M EX (JP03060) 38/2 M Tan. EX (JP03366)
35/4 B4 EX (JP09854/4) 25/2 AM1 EX (JP46119) 35/4 CM1 EX (JP09366) 35/2 M EX (JP03066) 45/2 M Tan. EX (JP03374)
35/4 B4 EX (JP09854/4) 25/2 AM1 EX (JP47213) 45/2 AM1 EX (JP46870) 35/2 M EX (JP03000) 45/2 M Tan. EX (JP03374)
35/4 C1 EX (JP09850/4) 25/2 AM1 EX (JP46120) 45/2 BM1 EX (JP46857) 35/2 M EX (JP03065)

DE - Weitere normative Dokumente CS - Jinmi normativnmi dokumenty DA - Andre normative dokumenter EN - Other normative documents FI - Muitten normien FR - Autres documents normatifs HU - Egyb szlyoz dokumentumokban lrlelnek IT - Altri documenti normativi NL - Verdere normale documenten PL - Innymi dokumentarn normatywnymi PT - Outros documentos normativos RO - Alte acte normative SK - Inym zvazujm dokumentom SV - Vidare normalande dokument

EN 60034-5:2001/A1:2007
EN 60079-14:2014

DE - Bevollmchtigter fr technische Dokumentation CS - prvnh osoba pro technick dokumentaci DA - Autoriseret person for teknisk dokumentation EN - Authorized person for technical documentation FI - Valtuutettu henkilö teknisen dokumentaatio FR - Personne autorise  la documentation technique HU - Hivatals szemly mszaki dokumentcio autorise  la documentaione tecnica NL - Bevoegd persoon voor technische documentatie PL - Pehnomocnik ds. dokumentacji technicznej PT - Pessoa autorizada para documentao tcnica RO - Persoan autorizat pentru documentaie tehnice SK - prvnh osoba pre technick dokumentcio SV - Autoriserad person fr teknisk dokumentation

JUNG PUMPEN - Stefan Singes - Industriest. 4-6 - 33603 Steinhagen
Steinhagen, 05-01-2022

Physikalisch-Technische Bundesanstalt
Zertifizierungssektor Explosionschutz (0102)
Bundesallee 100 - 38116 Braunschweig - Germany

Stefan Singes
Stefan Singes, General Manager

EU-Konformittserklring
EU-Prohlsieni o shod
EU-Overensstemmelseserklring
EU-Declaratio de conformitte
EU-Dichiarazio de conformitte
EU-Vyhszenie o zhode
EU-Frskran om verenstmmelse

DE - Richtlinien - Harmonisierte Normen
CS - Smrnice - Harmonizovn normy
DA - Direktiv - Harmoniseret standard
EN - Directives - Harmonisrde normen
FI - Direktiivi - Yhdenmukaistettu standardi
FR - Directives - Normes harmonises
HU - Irnyelve - Normas harmonizdas
IT - Direttive - Norme armonizzate
SK - Smernice - Harmonizovn normy
SV - Direktiv - Harmoniserade normer
PL - Dyrektywy - Normy zharmonizowane

• 2006/42/EG (MD)
• 2011/65/EU (RoHS)
• 2014/30/EU (EMC)
• 2014/34/EU (ATEX)

EN 809-1998/AC:2010, EN ISO 12100:2010
EN 60034-1: 2010/AC: 2010, EN 61000-3-2:2014, EN 61000-3-3:2013
EN 60079-0:2018, EN 60079-1:2014

JUNG PUMPEN GmbH - Industriest. 4-6 - 33603 Steinhagen - Germany - www.jung-pumpen.de

DE - Wir erklren in alleiniger Verantwortung, dass das Produkt den aufgefhrten Richtlinien entspricht.
CS - Prohlsujeme na svou vchodu odpovdnost, e výrobek odpovdn jmenovanm smrnici.
DA - Vi erklrer under ansvar at produktet i verenstemmelse med de retningslinjer.
EN - We hereby declare, under our sole responsibility, that the product is in accordance with the specified Directives.
FI - M vakuutamme omalla vastuullamme, ett tuote tyrtt ohjeita.
FR - Nous dclarons sous notre propre responsabilit que le produit rpond aux directives.
HU - Kizozrlogos felelsgunk tudatban kijelentjnk, hogy ez a termk megfelel az Eurpai Unio felelmezett irnyelveinek.
IT - Noi dichiariamo sotto la nostra esclusiva responsabilit che il prodotto  conforme alle direttive citate.
NL - Wij verklaren geheel onder eigen verantwoordelijkheid dat het product voldoet aan de geseide richtlijnen.
PL - Z pewn odpowiedzialnoci owiadczyamy, e produkt odpowiada postanowieniom wymienioanych dyrektyw.
PT - Declaramos, sob nossa exclusiva responsabilidade, que o produto est em conformidade com as Diretivas especificadas.
RO - Declaram pe proprie raspundere c produsul corespunde normelor prevzute de directivele mai sus menionate.
SK - Na vchodu zodpovednost vyhlsujeme, e výrobok spn pozadavky uvedench smernic.
SV - Vi frskrar att produktn p vrt ansvar r utfrd enligt gllande riktlinjer.

55/2 B2 EX (JP09684/2) 100/2 B5 EX (JP09740/1) 55/4 BM2 EX (JP48268) 100/2 BM1 EX (JP48272) 75/2 M EX (JP50378)
55/4 B6 EX (JP09686/2) 100/4 C2 EX (JP09729/1) 55/4 CM2 EX (JP47373) 100/2 CM1 EX (JP46880) 75/2 M EX (JP50383)
55/4 C2 EX (JP09688/2) 100/4 C5 EX (JP09276/1) 100/4 CM1 EX (JP46876) 100/4 BM2 EX (JP46876) 75/2 M EX (JP50378)
55/4 C5 EX (JP09802/2) 75/4 B1 EX (JP46874) 75/4 CM1 EX (JP47291) 100/4 CM3 EX (JP47355) 75/2 M EX (JP50804)
75/2 B5 EX (JP09685/2) 75/4 B1 EX (JP46874) 75/4 B1 EX (JP46874) 75/4 B1 EX (JP46874) 75/4 B1 EX (JP46874)
75/4 B6 EX (JP09687/2) 75/4 B1 EX (JP46874) 75/4 B1 EX (JP46874) 75/4 B1 EX (JP46874) 75/4 B1 EX (JP46874)
75/4 C2 EX (JP09689/2) 75/4 B1 EX (JP46874) 75/4 B1 EX (JP46874) 75/4 B1 EX (JP46874) 75/4 B1 EX (JP46874)
75/4 C5 EX (JP09805/2) 75/4 B1 EX (JP46874) 75/4 B1 EX (JP46874) 75/4 B1 EX (JP46874) 75/4 B1 EX (JP46874)

DE - Weitere normative Dokumente CS - Jinmi normativnmi dokumenty DA - Andre normative dokumenter EN - Other normative documents FI - Muitten normien FR - Autres documents normatifs HU - Egyb szlyoz dokumentumokban lrlelnek IT - Altri documenti normativi NL - Verdere normale documenten PL - Innymi dokumentarn normatywnymi PT - Outros documentos normativos RO - Alte acte normative SK - Inym zvazujm dokumentom SV - Vidare normalande dokument

EN 60034-5:2001/A1:2007
EN 60079-14:2014

DE - Bevollmchtigter fr technische Dokumentation CS - prvnh osoba pro technick dokumentaci DA - Autoriseret person for teknisk dokumentation EN - Authorized person for technical documentation FI - Valtuutettu henkilö teknisen dokumentaatio FR - Personne autorise  la documentation technique HU - Hivatals szemly mszaki dokumentcio autorise  la documentaione tecnica NL - Bevoegd persoon voor technische documentatie PL - Pehnomocnik ds. dokumentacji technicznej PT - Pessoa autorizada para documentao tcnica RO - Persoan autorizat pentru documentaie tehnice SK - prvnh osoba pre technick dokumentcio SV - Autoriserad person fr teknisk dokumentation

JUNG PUMPEN - Stefan Singes - Industriest. 4-6 - 33603 Steinhagen
Steinhagen, 05-01-2022

Physikalisch-Technische Bundesanstalt
Zertifizierungssektor Explosionschutz (0102)
Bundesallee 100 - 38116 Braunschweig - Germany

Stefan Singes
Stefan Singes, General Manager



UKCA-Declaration of Conformity

Legislation - Designated Standards

- Supply of Machinery (Safety) Regulations 2008 (MD) EN 609:1998/AC:2010, EN ISO 12100:2010
- The Restriction of the Use of Certain Hazardous Substance in Electrical and Electronic Equipment Regulations 2012 (RoHS)
- Electromagnetic Compatibility Regulations 2016 (EMC) EN 60034-1: 2010/AC: 2010, EN 61000-3-2:2014, EN 61000-3-3:2013

Name and address of the manufacturer: JUNG PUMPEN GmbH - Industriestr. 4-6 - 33803 Steinhagen - Germany - www.jung-pumpen.de
 We hereby declare, under our sole responsibility, that the product is in accordance with the specified Legislation.

10/2 A1 (JP09615/4)	10/2 AW1 (JP47280)	35/2 BW1 (JP09500/1)	25/2 ME (JP50356)
10/4 B1 (JP09620/4)	10/4 CW1 (JP09610/5)	35/4 AN2 (JP46794)	35/2 M1 (JP50357)
15/2 A1 (JP09616/4)	15/2 AW1 (JP47278)	35/4 BW1 (JP09457/1)	35/2 M1 (JP50358)
15/4 B3 (JP09622/4)	15/4 AN2 (JP46791)	35/4 CW1 (JP09858/5)	36/2 M1 (JP50363)
25/2 A2 (JP09617/4)	15/4 BW1 (JP09455/1)	45/2 AW1 (JP46796)	36/2 M1 (JP50364)
25/2 B1 (JP09618/4)	15/4 CW1 (JP09612/5)	45/2 BW1 (JP46856)	45/2 M1 (JP50368)
25/4 BA (JP09623/4)	25/2 AW1 (JP09149/4)	45/4 CW1 (JP47352)	45/2 M1 (JP50370)
25/2 A2 (JP09651/4)	25/4 BW1 (JP46783)	45/4 AN2 (JP46795)	
35/4 BA (JP09647/4)	25/4 CW1 (JP09655/5)	45/4 BW2 (JP47236)	
35/4 C1 (JP09648/4)	35/2 AW1 (JP09151/4)		

Other normative documents:
EN 60034-5:2007/A1:2007

Authorized person for technical documentation
 JUNG PUMPEN - Stefan Sirges - Industriestr. 4-6 - 33804 Steinhagen
 Steinhagen, 09-09-2022

Stefan Sirges
 i.V. Pascal Kollerbeck, Sales Manager
 Stefan Sirges, General Manager



UKCA-Declaration of Conformity

Legislation - Designated Standards

- Supply of Machinery (Safety) Regulations 2008 (MD) EN 609:1998/AC:2010, EN ISO 12100:2010
- The Restriction of the Use of Certain Hazardous Substance in Electrical and Electronic Equipment Regulations 2012 (RoHS)
- Electromagnetic Compatibility Regulations 2016 (EMC) EN 60034-1: 2010/AC: 2010, EN 61000-3-2:2014, EN 61000-3-3:2013


Name and address of the manufacturer: JUNG PUMPEN GmbH - Industriestr. 4-6 - 33803 Steinhagen - Germany - www.jung-pumpen.de
 We hereby declare, under our sole responsibility, that the product is in accordance with the specified Legislation.

55/2 B2 (JP09863/2)	100/2 B5 (JP09740/1)	75/2 BW1 (JP46873)	75/2 M1 (JP50375)
55/4 B6 (JP00486/3)	100/4 C2 (JP09678/1)	75/2 CW1 (JP46880)	75/2 M1 (JP50377)
55/4 C2 (JP00487/3)	100/4 C5 (JP09275/1)	75/4 BW2 (JP46877)	
55/4 C5 (JP09801/2)	55/4 BW2 (JP46267)	75/4 CW2 (JP47234)	
75/2 B5 (JP00485/3)	55/4 CW2 (JP47372)	100/2 BW1 (JP46871)	
75/4 B6 (JP00489/3)	75/4 BW2 (JP46875)	100/2 CW1 (JP46879)	
75/4 C2 (JP00490/3)	100/4 BW2 (JP46875)	100/4 CW2 (JP46875)	
75/4 C5 (JP09804/2)	100/4 CW3 (JP47354)		


Other normative documents:
EN 60034-5:2007/A1:2007

Authorized person for technical documentation
 JUNG PUMPEN - Stefan Sirges - Industriestr. 4-6 - 33804 Steinhagen
 Steinhagen, 09-09-2022

Stefan Sirges
 i.V. Pascal Kollerbeck, Sales Manager
 Stefan Sirges, General Manager

 0197	
JUNG PUMPEN GmbH - Industriestr. 4-6, 33803 Steinhagen, Germany 13 411.17.2209 - 412.17.2209	
EN 12050-1:2001; 2015 Fäkalienhebeanlage	
10/2 AW1 (JP47280) 15/2 AW1 (JP47278) 25/2 AW1 (JP09149/3) 35/2 AW1 (JP09151/3) 45/2 AW1 (JP46796) 15/4 AW2 (JP46791) 25/4 AW2 (JP46793) 35/4 AW2 (JP46794) 45/4 AW2 (JP46795) 25/2 BW1 (JP09498) 35/2 BW1 (JP09500) 45/2 BW1 (JP46856) 75/2 BW1 (JP46873) 100/2 BW1 (JP46871) 15/4 BW1 (JP09455/1) 25/4 BW1 (JP09456/1) 35/4 BW1 (JP09457/1) 45/4 BW2 (JP46858) 55/4 BW2 (JP48267) 75/4 BW2 (JP46877) 100/4 BW2 (JP46875) 45/2 CW1 (JP47352) 75/2 CW1 (JP46881) 100/2 CW1 (JP46879) 10/4 CW1 (JP09610/5) 15/4 CW1 (JP09612/5) 25/4 CW1 (JP09655/5) 35/4 CW1 (JP09858/5) 45/4 CW2 (JP47236) 55/4 CW2 (JP47372) 75/4 CW2 (JP47234) 100/4 CW3 (JP47354)	10/2 AW1, EX (JP47281) 15/2 AW1, EX (JP47279) 25/2 AW1, EX (JP09150/3) 25/2 AW1, EX (JP46123) 25/2 AW1, EX (JP47124) 25/2 AW1, EX (JP46119) 25/2 AW1, EX (JP47213) 25/2 AW1, EX (JP46120) 25/2 AW1, EX (JP09272) 35/2 AW1, EX (JP09152/3) 45/2 AW1, EX (JP46870) 15/4 AW2, EX (JP46792) 25/4 AW2, EX (JP46867) 35/4 AW2, EX (JP46868) 45/4 AW2, EX (JP46869) 25/2 BW1, EX (JP09499) 35/2 BW1, EX (JP09501) 45/2 BW1, EX (JP46857) 75/2 BW1, EX (JP46874) 100/2 BW1, EX (JP46872) 15/4 BW1, EX (JP09458/1) 25/4 BW1, EX (JP09459/1) 35/4 BW1, EX (JP09460/1) 45/4 BW2, EX (JP46859) 55/4 BW2, EX (JP48268) 75/4 BW2, EX (JP46878) 100/4 BW2, EX (JP46876) 45/2 CW1, EX (JP47353) 75/2 CW1, EX (JP47229) 100/2 CW1, EX (JP46880) 10/4 CW1, EX (JP09609/5) 15/4 CW1, EX (JP09611/5) 25/4 CW1, EX (JP09656/5) 35/4 CW1, EX (JP09859/5) 45/4 CW2, EX (JP47237) 55/4 CW2, EX (JP47373) 75/4 CW2, EX (JP47235) 100/4 CW3, EX (JP47355)
Sammeln und automatisches Heben von fäkalienfreiem und fäkalienhaltigem Abwasser über die Rückstauenebene	

BRANDVERHALTEN	NPD
WASSERDICHTHEIT	Bestanden
WIRKSAMKEIT (HEBEWIRKUNG)	
- Förderung von Feststoffen	Bestanden
- Rohranschlüsse	Bestanden
- Mindestmaße von Lüftungsleitungen	NPD
- Mindestfließgeschwindigkeit	Bestanden
- Freier Mindestdurchgang der Anlage	Bestanden
- Mindestnutz volumen	NPD
MECHANISCHE FESTIGKEIT	
- Tragfähigkeit und strukturelle Stabilität des Sammelbehälters für die Verwendung außerhalb von Gebäuden	NPD
- Strukturelle Stabilität des Sammelbehälters für die Verwendung innerhalb von Gebäuden	NPD
GERÄUSCHPEGEL	70 dB(A)
DAUERHAFTIGKEIT	
- der Wasserdichtheit	Bestanden
- der Hebewirkung	Bestanden
- der mechanischen Festigkeit	Bestanden
GEFÄHRLICHE SUBSTANZEN	NPD

 0197	
JUNG PUMPEN GmbH - Industriestr. 4-6, 33803 Steinhagen, Germany 13 411.17.2209 - 412.17.2209	
EN 12050-1:2001; 2015 Lifting plant for wastewater containing faecal matter	
10/2 AW1 (JP47280) 15/2 AW1 (JP47278) 25/2 AW1 (JP09149/3) 35/2 AW1 (JP09151/3) 45/2 AW1 (JP46796) 15/4 AW2 (JP46791) 25/4 AW2 (JP46793) 35/4 AW2 (JP46794) 45/4 AW2 (JP46795) 25/2 BW1 (JP09498) 35/2 BW1 (JP09500) 45/2 BW1 (JP46856) 75/2 BW1 (JP46873) 100/2 BW1 (JP46871) 15/4 BW1 (JP09455/1) 25/4 BW1 (JP09456/1) 35/4 BW1 (JP09457/1) 45/4 BW2 (JP46858) 55/4 BW2 (JP48267) 75/4 BW2 (JP46877) 100/4 BW2 (JP46875) 45/2 CW1 (JP47352) 75/2 CW1 (JP46881) 100/2 CW1 (JP46879) 10/4 CW1 (JP09610/5) 15/4 CW1 (JP09612/5) 25/4 CW1 (JP09655/5) 35/4 CW1 (JP09858/5) 45/4 CW2 (JP47236) 55/4 CW2 (JP47372) 75/4 CW2 (JP47234) 100/4 CW3 (JP47354)	10/2 AW1, EX (JP47281) 15/2 AW1, EX (JP47279) 25/2 AW1, EX (JP09150/3) 25/2 AW1, EX (JP46123) 25/2 AW1, EX (JP47124) 25/2 AW1, EX (JP46119) 25/2 AW1, EX (JP47213) 25/2 AW1, EX (JP46120) 25/2 AW1, EX (JP09272) 35/2 AW1, EX (JP09152/3) 45/2 AW1, EX (JP46870) 15/4 AW2, EX (JP46792) 25/4 AW2, EX (JP46867) 35/4 AW2, EX (JP46868) 45/4 AW2, EX (JP46869) 25/2 BW1, EX (JP09499) 35/2 BW1, EX (JP09501) 45/2 BW1, EX (JP46857) 75/2 BW1, EX (JP46874) 100/2 BW1, EX (JP46872) 15/4 BW1, EX (JP09458/1) 25/4 BW1, EX (JP09459/1) 35/4 BW1, EX (JP09460/1) 45/4 BW2, EX (JP46859) 55/4 BW2, EX (JP48268) 75/4 BW2, EX (JP46878) 100/4 BW2, EX (JP46876) 45/2 CW1, EX (JP47353) 75/2 CW1, EX (JP47229) 100/2 CW1, EX (JP46880) 10/4 CW1, EX (JP09609/5) 15/4 CW1, EX (JP09611/5) 25/4 CW1, EX (JP09656/5) 35/4 CW1, EX (JP09859/5) 45/4 CW2, EX (JP47237) 55/4 CW2, EX (JP47373) 75/4 CW2, EX (JP47235) 100/4 CW3, EX (JP47355)
Collection and automatic lifting of wastewater without sewage and wastewater containing faecal matters above the backflow level	

REACTION TO FIRE	NPD
WATERTIGHTNESS	Pass
EFFECTIVENESS (LIFTING EFFECTIVENESS)	
- Pumping of solids	Pass
- Pipe connections	Pass
- Minimum dimensions of ventilating pipes system	NPD
- Minimum flow velocity	Pass
- Minimum free passage of the plant	Pass
- Minimum useful volume	NPD
MECHANICAL RESISTANCE	
- Load bearing capacity and structural stability of collection tank for use outside buildings	NPD
- Structural stability of collection tank for use inside buildings	NPD
NOISE LEVEL	70 dB(A)
DURABILITY	
- of structural stability	Pass
- of lifting effectiveness	Pass
- of mechanical resistance	Pass
DANGEROUS SUBSTANCES	NPD



EU-Baumusterprüfbescheinigung

- (1) Geräte oder Schutzsysteme zur bestimmungsgemäßen Verwendung in explosionsgefährdeten Bereichen - Richtlinie 2014/34/EU
- (2) EU-Baumusterprüfbescheinigungsnummer
- (3) **PTB 08 ATEX 1113 X** **Ausgabe: 01**

- (4) Produkt: Tauchpumpenmotoren Typ . 90 - ...
- (5) Hersteller: Jung Pumpen GmbH
- (6) Anschrift: Industriestraße 4 - 6, 33803 Steinhagen, Deutschland
- (7) Die Bauart dieses Produkts sowie die verschiedenen zulässigen Ausführungen sind in der Anlage und den darin aufgeführten Unterlagen zu dieser Baumusterprüfbescheinigung festgelegt.
- (8) Die Physikalisch-Technische Bundesanstalt, notifizierte Stelle Nr. 0102 gemäß Artikel 17 der Richtlinie 2014/34/EU des Europäischen Parlaments und des Rates vom 26. Februar 2014, bescheinigt, dass dieses Produkt die grundlegenden Sicherheits- und Gesundheitsanforderungen für die Konzeption und den Bau von Produkten zur bestimmungsgemäßen Verwendung in explosionsgefährdeten Bereichen gemäß Anhang II der Richtlinie erfüllt.

- (9) Die Ergebnisse der Prüfung sind in dem vertraulichen Prüfbericht PTB Ex 15-15108 festgehalten.
- (10) Die grundlegenden Sicherheits- und Gesundheitsanforderungen werden erfüllt durch Übereinstimmung mit **EN 60079-0:2012+AMD11:2013** **EN 60079-1:2014**

- (11) Falls das Zeichen "X" hinter der Bescheinigungsnummer steht, wird auf besondere Bedingungen für die sichere Anwendung des Produkts in der Anlage zu dieser Bescheinigung hingewiesen.

- (12) Diese EU-Baumusterprüfbescheinigung bezieht sich nur auf Konzeption und Prüfung des festgelegten Produkts gemäß Richtlinie 2014/34/EU. Weitere Anforderungen dieser Richtlinie gelten für die Herstellung und das Bereitstellen auf dem Markt. Diese Anforderungen werden nicht durch diese Bescheinigung abgedeckt.

- (13) Die Kennzeichnung des Produkts muss die folgenden Angaben enthalten:

II 2 G Ex db IIB T4 Gb

Konformitätsbewertungsstelle, Sektor Explosionsschutz Braunschweig, 21. Juni 2016

Im Auftrag

Dr.-Ing. U. Klausmeyer
Direktor und Professor



Seite 1/5

EU-Baumusterprüfbescheinigungen ohne Unterschrift und ohne Siegel haben keine Gültigkeit.
Diese EU-Baumusterprüfbescheinigung darf nur unverändert weiterverbreitet werden.
Auszüge oder Änderungen bedürfen der Genehmigung der Physikalisch-Technischen Bundesanstalt.
Physikalisch-Technische Bundesanstalt • Bundesallee 100 • 38116 Braunschweig • DEUTSCHLAND



EU-TYPE-EXAMINATION CERTIFICATE (Translation)

- (1) Equipment or Protective Systems Intended for Use in Potentially Explosive Atmospheres - Directive 2014/34/EU
- (2) EU-Type Examination Certificate Number:
- (3) **PTB 08 ATEX 1113 X** **Issue: 01**

- (4) Product: Submersible pump motors, type . 90 - ...
- (5) Manufacturer: Jung Pumpen GmbH
- (6) Address: Industriestraße 4 - 6, 33803 Steinhagen, Germany
- (7) This product and any acceptable variation thereto is specified in the schedule to this certificate and the documents therein referred to.

- (8) The Physikalisch-Technische Bundesanstalt, notified body No. 0102 in accordance with Article 17 of the Directive 2014/34/EU of the European Parliament and of the Council, dated 26 February 2014, certifies that this product has been found to comply with the Essential Health and Safety Requirements relating to the design and construction of products intended for use in potentially explosive atmospheres, given in Annex II to the Directive.

- (9) The examination and test results are recorded in the confidential Test Report PTB Ex 15-15108.

- (10) Compliance with the Essential Health and Safety Requirements has been assured by compliance with: **EN 60079-0:2012+AMD11:2013** **EN 60079-1:2014**

II 2 G Ex db IIB T4 Gb

- (11) If the sign "X" is placed after the certificate number, it indicates that the product is subject to the Specific Conditions of Use specified in the schedule to this certificate.

- (12) This EU-Type Examination Certificate relates only to the design and construction of the specified product in accordance to the Directive 2014/34/EU. Further requirements of the Directive apply to the manufacturing process and supply of this product. These are not covered by this certificate.

- (13) The marking of the product shall include the following:

II 2 G Ex db IIB T4 Gb

Konformitätsbewertungsstelle, Sektor Explosionsschutz Braunschweig, June 21, 2016

On behalf of PTB:

Dr.-Ing. U. Klausmeyer
Direktor und Professor



sheet 1/5

EU-Type Examination Certificates without signature and official stamp shall not be valid. The certificates may be circulated only without alteration. Extracts or alterations are subject to approval by the Physikalisch-Technische Bundesanstalt. In case of dispute, the German text shall prevail.

Physikalisch-Technische Bundesanstalt • Bundesallee 100 • 38116 Braunschweig • GERMANY

Anlage

(13)

(14) EU-Baumusterprüfbescheinigung PTB 08 ATEX 1113 X, Ausgabe: 01

(15) Beschreibung des Produkts

Bei dem Gerät handelt es sich um eine drehende elektrische Maschine zum Antrieb von Pumpen. Der Motorteil ist in der Zündschutzart Druckfeste Kapselung "d" ausgeführt. Die Stromzufuhr erfolgt über schwere Gummischlauchleitung NSSH04 oder ein mindestens gleichwertiges, geprüftes Kabel.

Beschreibung der Ergänzungen und Änderungen

Die Motortypen D 90 – 2/150 A und D 90 – 4/150 A werden im Zuge dieser Ausgabe 01 mit aufgenommen.

Bemessungsgrößen für Typ D 90 – 2 / 150 A und D 90 – 4 / 150 A

Diese Bescheinigung gilt unter der Voraussetzung, dass sich die Motoren dieses Typs hinsichtlich der elektrischen und thermischen Beanspruchung nur unwesentlich von dem geprüften Muster unterscheiden, für die folgenden Ausführungen:

Typ D 90 – 2 / 150 A

Leistung (Aufnahme):	6,00	kW		
Spannung:	218 - 242	380 - 420	655 - 725	V
Strom:	16,9	9,7	5,6	A
Leistungsfaktor:	0,88...0,9			
Frequenz:	50 oder 60			Hz
Drehzahl:	2788 bzw. 3088			min ⁻¹
Fördermitteltemperatur: max.	40			°C
Betriebsarten:	S1 für max. 9 cm ausgetauchten Motor, S2 15 min., S3 20 % ¹⁾			
	¹⁾ Spieldauer 10 min.			

Die Bescheinigung gilt auch für Motoren mit einer geringeren Aufnahmeleistung, jedoch maximal bis zu einem Maximalwert von 6,00 kW.

Die entsprechenden Daten sind vom Hersteller auf dem Leistungsschild anzugeben.

Neben den oben angegebenen Spannungen sind auch dazwischenliegende Werte zulässig. Die zugehörigen Ströme sind im reziproken Verhältnis der Spannung umzurechnen.

Gegenüber den Bemessungswerten darf die Netzspannung bis zu $\pm 5\%$ und die Netzfrequenz bis zu $\pm 2\%$ entsprechend dem Bereich A nach IEC 60034-1 schwanken.

Seite 2/5

EU-Baumusterprüfbescheinigungen ohne Unterschrift und ohne Siegel haben keine Gültigkeit.
Diese EU-Baumusterprüfbescheinigung ist für die Zwecke der Druckfertigung erstellt worden.
Auszüge oder Änderungen bedürfen der Genehmigung der Physikalisch-Technischen Bundesanstalt.
Physikalisch-Technische Bundesanstalt • Bundesallee 100 • 38116 Braunschweig • DEUTSCHLAND

(13)

(14) EU-Type Examination Certificate Number PTB 08 ATEX 1113X, Issue: 01

(15) Description of Product

The equipment is a rotary electric machine used for driving pumps. The motor section is designed to Flameproof Enclosure "d" type of protection. For power supply, heavy-duty NSSH04 rubber hose lines are used or tested cables of equivalent or better quality.

Description of the supplements and changes

The motor types D 90 – 2/150 A and D 90 – 4/150 A shall be included as part of this issue 01.

Ratings for type D 90 – 2/150 A and D 90 – 4/150 A

This certificate is valid for the following designs providing the motors of this type differ only negligibly from the sample tested as regards the electrical and thermal stresses:

Power: (Input)	6,00	kW		
Voltage:	218 - 242	380 - 420	655...725	V
Current:	16,9	9,7	5,6	A
Power factor:	0,88...0,9			
Frequency:	50 or 60			Hz
Speed: (motor)	2788 resp. 3088			min ⁻¹
Temperature of flow medium: max.	40			°C
Duty Type:	S 1 for max. 9 cm not submerged motor, S2 15 min., S3 20 % ¹⁾			
	¹⁾ cycle time 10 min.			

This certificate also applies for motors with a lower input power, to a maximum value of 6,00 kW.

The manufacturer has to indicate the corresponding data on the rating plate.

In addition to the above-mentioned voltages, intermediate values are also permissible. The associated currents are to be converted in the inverse ratio to the voltages.

The mains voltage may vary by up to $\pm 5\%$ and the mains frequency by up to $\pm 2\%$ from the rated values, in keeping with range A according to IEC 60034-1.

sheet 2/5

EU-Type Examination Certificates without signature and official stamp shall not be valid. The certificates may be circulated only without alteration. Extracts or alterations are subject to approval by the Physikalisch-Technische Bundesanstalt.
In case of dispute, the German text shall prevail.

Physikalisch-Technische Bundesanstalt • Bundesallee 100 • 38116 Braunschweig • GERMANY

Anlage zur EU-Baumusterprüfbescheinigung PTB 08 ATEX 1113 X, Ausgabe: 01

Die Bescheinigung gilt auch für Motoren, die mit 60 Hz betrieben werden. Hierbei darf die max. Leistung (Aufnahme) von P1 = 6,00 KW nicht überschritten werden.

Temperaturüberwachung

Bei Motoren mit Kaltleiterschutz muss sichergestellt sein, dass bei festgebremstem Läufer und einem Verhältnis $I_{M/N} = 4,4$ die Auslösezeit $t_A = 27,7$ s mit einer Toleranz von ± 20 % eingehalten wird. Dabei ist vom kalten Motor (20°C) und einer Netzspannung 400 V bei 50 Hz auszugehen.

Zur Vermeidung unzulässig hoher Temperaturen am Motorteil sind folgende Bedingungen zu beachten:
In der Betriebsart S1 muss der Motor in das Fördermedium eingetaucht (max. Austauschhöhe 9 cm) betrieben werden.

Bei der Betriebsart S2 15 Minuten sowie bei der Betriebsart S3 20% mit einer Spieldauer von 10 Minuten muss mindestens das Pumpengehäuse komplett in das Fördermedium eingetaucht sein.

Die Einhaltung der Betriebsart S2 bzw. S3 ist durch die elektrische Steuerung zu gewährleisten. Bei Nichteinhaltung einer dieser Bedingungen für die entsprechende Betriebsart muss der Motor unverzüglich ausgeschaltet werden.

Typ D 90 - 4 / 150 A

Leistung (Aufnahme):	5.82	kW
Spannung:	218 - 242	655 - 725 V
Strom:	17,0	5,7 A
Leistungsfaktor:	0.80	
Frequenz:	50 oder 60	Hz
Drehzahl:	1316 bzw. 1616	min-1
Fördermitteltemperatur: max.	40	°C
Betriebsarten:	S1 für max. 11 cm ausgetauchten Motor, S2 7 min., S3 10 % ¹⁾	
¹⁾ Spieldauer	10 min.	

Die Bescheinigung gilt auch für Motoren mit einer geringeren Aufnahmeleistung, jedoch maximal bis zu einem Maximalwert von 5,82 kW.

Die entsprechenden Daten sind vom Hersteller auf dem Leistungsschild anzugeben.

Neben den oben angegebenen Spannungen sind auch dazwischenliegende Werte zulässig. Die zugehörigen Ströme sind im reziproken Verhältnis der Spannung umzurechnen.

Gegenüber den Bemessungswerten darf die Netzspannung bis zu ± 5 % und die Netzfrequenz bis zu ± 2 % entsprechend dem Bereich A nach IEC 60034-1 schwanken.

Die Bescheinigung gilt auch für Motoren, die mit 60 Hz betrieben werden. Hierbei darf die max. Leistung (Aufnahme) von P1 = 5,82 KW nicht überschritten werden.

Temperaturüberwachung

Bei Motoren mit Kaltleiterschutz muss sichergestellt sein, dass bei festgebremstem Läufer und einem Verhältnis $I_{M/N} = 3,5$ die Auslösezeit $t_A = 26,7$ s mit einer Toleranz von ± 20 %

Seite 3/5

EU-Baumusterprüfbescheinigungen ohne Unterschrift und ohne Siegel haben keine Gültigkeit.
Diese EU-Baumusterprüfbescheinigung darf nur unverändert weiterverbreitet werden.
Ausgabe oder Änderungen bedürfen der Genehmigung der Physikalisch-Technischen Bundesanstalt.
Physikalisch-Technische Bundesanstalt • Bundesallee 100 • 38116 Braunschweig • DEUTSCHLAND

**SCHEDULE TO EU-TYPE EXAMINATION CERTIFICATE
PTB 08 ATEX 1113 X Issue : 01**

The certificate is also valid for motors running with a frequency of 60 Hz. Hereby the max. current (input) of P1 = 6.00 kW may not be exceeded.

Temperature monitoring

For motors with PTC thermistor has to be ensured that with a locked rotor and a ratio of $I_{M/N} = 4.4$, the release time $t_A = 27.7$ s will be maintained at a tolerance of $\pm 20\%$. This applies for a cold motor (20 °C) and a rated voltage of 400 V at 50 Hz.

To avoid inadmissibly high temperatures on the motor part the following conditions have to be observed:

For operation in duty type S1 the operated motor has to be submerged in the medium (9 cm max. non-submerged).

For operation in duty type S2 15 minutes as well as for duty type S3 20 % with a cycle time of 10 minutes min. the pump housing has to be submerged completely in the medium.

Compliance of duty type S2 resp. S3 is ensured by an electrical control system. In case of non-compliance of one of these conditions for the corresponding duty type the motor has to be switched off immediately.

Type D 90 - 4 / 150 A

Power (input):	5.82	kW
Voltage:	218 - 242	655 - 725 V
Current:	17.0	5.7 A
Power factor:	0.80	
Frequency:	50 or 60	Hz
Speed:	1316 resp. 1616	min-1
Temperature of the medium:	max. 40	°C
Duty type:	S1 with max. 11 cm non-submerged motor, S2 7 min, S3 10 % ¹⁾	
¹⁾ cycle time	10 min.	

The certificate is also valid for motors with a lower power input, but up to 5.82 kW as a maximum.

The manufacturer has to specify the corresponding data on the nameplate.

In addition to the above-mentioned voltages, intermediate values are permissible. The associated currents are to be converted in the inverse ratio of the voltages.

The mains voltage may vary by up to $\pm 5\%$ and the mains frequency by up to $\pm 2\%$ from the rated values, in keeping with range A according to IEC 60034-1.

The certificate is also valid for motors which are run with a frequency of 60 Hz. The max. power (input) of P1 = 5.82 kW must not be exceeded.

sheet 3/5

EU-Type Examination Certificates without signature and official stamp shall not be valid. The certificates may be circulated only without alteration. Extracts or alterations are subject to approval by the Physikalisch-Technische Bundesanstalt.
In case of dispute, the German text shall prevail.
Physikalisch-Technische Bundesanstalt • Bundesallee 100 • 38116 Braunschweig • GERMANY



Anlage zur EU-Baumusterprüfbescheinigung PTB 08 ATEX 1113 X. Ausgabe: 01

eingehalten wird. Dabei ist vom kalten Motor (20°C) und einer Netzspannung 400 V bei 50 Hz auszugehen.

Zur Vermeidung unzulässig hoher Temperaturen am Motorteil sind folgende Bedingungen zu beachten:

In der Betriebsart S1 muss der Motor in das Fördermedium eingetaucht (max. Austauschhöhe 11 cm) betrieben werden.

Bei der Betriebsart S2 7 Minuten sowie bei der Betriebsart S3 10% mit einer Spieldauer von 10 Minuten muss mindestens das Pumpengehäuse komplett in das Fördermedium eingetaucht sein.

Die Einhaltung der Betriebsart S2 bzw. S3 ist durch die elektrische Steuerung zu gewährleisten. Bei Nichterhaltung einer dieser Bedingungen für die entsprechende Betriebsart muss der Motor unverzüglich ausgeschaltet werden.

(16) Prüfbericht PTB Ex 15-15108

(17) Besondere Bedingungen

Eine Reparatur an den zünddurchschlagsicheren Spalten darf nur entsprechend den konstruktiven Vorgaben des Herstellers erfolgen. Die Reparatur entsprechend den Werten der Tabelle 1 bzw. 2 der EN 60079-1 ist nicht zulässig.

Zusätzliche Hinweise für den sicheren Betrieb:

Für den Ein- und Anbau von Komponenten (Anschlussräume, Durchführungen, Ex-Kabel- und Leitungseinführungen, Anschlussstiele) sind nur solche zugelassen, die mindestens dem auf dem Deckblatt angegebenen Normenstand technisch entsprechen und für die eine gesonderte Prüfbescheinigung vorliegt. Die in den entsprechenden Bescheinigungen der Komponenten aufgeführten Einsatzbedingungen sind dabei unbedingt zu beachten und müssen mindestens den in der vorstehenden EG-Baumusterprüfbescheinigung spezifizierten Einsatzbedingungen entsprechen.

Für den Abschluss des druckfesten Raumes sind mindestens Schrauben der Festigkeitsklasse A2-70 zu verwenden.

1. Für den Betrieb am Netz

Die Motoren dieses Typs müssen zusätzlich zu thermisch verzögerten Überstromauslösern durch 2 Temperaturbegrenzer (150 ± 5°C) geschützt werden.

2. Für den Betrieb am Umrichter

2.1 Die Motoren müssen durch eine Einrichtung zur direkten Temperaturüberwachung geschützt werden. Diese besteht aus

in die Wicklung eingebauten Temperaturfühlern
(Kaltleiter DIN 44 082-150) und einem mindestens nach
Richtlinie 94/9/EG hierfür funktionsgeprüftem Auslösegerät.

Die Zusammengehörigkeit von Motor und Überwachungseinrichtung wird auf dem Motor durch ein Zusatzschild gekennzeichnet.

Seite 4/5

EU-Baumusterprüfbescheinigungen ohne Unterschrift und ohne Siegel haben keine Gültigkeit.
Diese EU-Baumusterprüfbescheinigung darf nur unverändert weiterverbreitet werden.
Auszüge oder Änderungen bedürfen der Genehmigung der Physikalisch-Technischen Bundesanstalt.
Physikalisch-Technische Bundesanstalt • Bundesallee 100 • 38116 Braunschweig • DEUTSCHLAND



**SCHEDULE TO EU-TYPE EXAMINATION CERTIFICATE
PTB 08 ATEX 1113 X Issue : 01**

Temperature monitoring

For motors with PTC thermistor it has to be ensured that with a locked rotor and a ratio of $I_{d}/I_N = 3.5$, the release time $t_{d0} = 26.7$ s will be maintained at a tolerance ($\pm 20\%$). This applies for a cold motor (20 °C) and a rated voltage of 400 V at 50 Hz.

To avoid inadmissibly high temperatures on the motor the following conditions have to be observed:

In the duty type S1 the motor has to be submerged in the medium (max. 11 cm non-submerged) during operation.

In the duty type S2 7 minutes as well with duty type S3 10 % with a cycle time of 10 minutes at least the pump housing has to be submerged in the medium.

Compliance of duty type S2 resp. S3 has to be ensured by means of electrical control.

In case of non-compliance with one of these conditions of the corresponding duty type the motor has to be switched off immediately.

(16) Test Report PTB Ex 15-15108

(17) Special conditions for safe use

Repairs of the flameproof joints must be made in compliance with the structural specifications provided by the manufacturer. Repairs must not be made on the basis of values specified in tables 1 and 2 of EN 60079-1.

Additional notes for safe operation

Components attached or installed (terminal compartments, bushings, 'Ex' cable glands, connectors) must be of a technical standard that at least complies with the specifications on the cover sheet and for which a separate examination certificate has been issued. The operating conditions specified in component certificates must be followed and they must as a minimum conform with the operating conditions specified in the above mentioned EC-Type Examination Certificate.

Screws complying with strength class A2-70 as a minimum must be used for enclosure of the flameproof chamber.

1. For mains operation

Motors of this type must be protected by two temperature limiters (150 ± 5 °C) in addition to thermally delayed overcurrent releases.

2. For converter operation

2.1 The motors must be protected by a device providing for direct temperature monitoring. This device will comprise:

temperature sensors embedded in the winding
(PTC resistor DIN 44 082-150) and a tripping device

sheet 4/5

EU-Type Examination Certificates without signature and official stamp shall not be valid. The certificates may be circulated only without alteration. Extracts or alterations are subject to approval by the Physikalisch-Technische Bundesanstalt. In case of dispute, the German text shall prevail.

Physikalisch-Technische Bundesanstalt • Bundesallee 100 • 38116 Braunschweig • GERMANY



Anlage zur EU-Baumusterprüfbescheinigung PTB 08 ATEX 1113 X, Ausgabe: 01

Überstromschutzeinrichtungen mit stromabhängig verzögerter Auslösung sind hierbei als zusätzliche Überwachung anzusehen.

2.2 Die Motoren werden im Frequenzbereich von 15 Hz bis 50/60 Hz betrieben. Die Ausgangsspannung des Umrichters wird dabei so geregelt, dass im Bereich von 15 Hz bis 50/60 Hz eine annähernd lineare Abhängigkeit zwischen der Spannung und der Frequenz eingehalten wird, d.h. Einhaltung eines praktisch konstanten Maschinenflusses entsprechend den Bemessungsdaten.

Die Strombegrenzung des Umrichters wird höchstens auf den 3fachen Motorstrom eingestellt.

Zusatz- und Überwachungseinrichtungen mit eigener Bescheinigung und Explosionsschutzkennzeichnung sind den am Einsatzort vorliegenden Bedingungen entsprechend auszuwählen.

Überwachungseinrichtungen müssen den Anforderungen nach Richtlinie 2014/34/EU und EN 1127-1 genügen.

Weitere einschränkende Hinweise für den sicheren Betrieb sind dem jeweiligen Datenblatt für die Maschinenauslegung zu entnehmen.

Elektrisch-thermische Motorauslegung

Die Datenblätter 01 bis 05 der EG-Baumusterprüfbescheinigung PTB 02 ATEX 1042 sind gleichzeitig Bestandteil der vorstehenden EG-Baumusterprüfbescheinigung.

(18) Grundlegende Sicherheits- und Gesundheitsanforderungen
Erfüllt durch Übereinstimmung mit den vorgenannten Normen.

Nach Artikel 41 der Richtlinie 2014/34/EU dürfen EG-Baumusterprüfbescheinigungen nach Richtlinie 94/9/EG, die bereits vor dem Datum der Anwendung von Richtlinie 2014/34/EU (20. April 2016) bestanden, so betrachtet werden, als wenn sie bereits in Übereinstimmung mit der Richtlinie 2014/34/EU ausgestellt wurden. Mit Genehmigung der Europäischen Kommission dürfen Ergänzungen zu solchen EG-Baumusterprüfbescheinigungen und neue Ausgaben solcher Zertifikate weiterhin die vor dem 20. April 2016 ausgestellte originale Zertifikatsnummer tragen.

Konformitätsbewertungsstelle, Sektor Explosionsschutz Braunschweig, 21. Juni 2016

Im Auftrag


Dr.-Ing. U. Klausmeyer
Direktor und Professor


Konformitätsbewertungsstelle, Sektor Explosionsschutz Braunschweig, June 21, 2016
On behalf of PTB:
Dr.-Ing. U. Klausmeyer
Direktor und Professor

EU-Baumusterprüfbescheinigungen ohne Unterschrift und ohne Siegel haben keine Gültigkeit.
Diese EU-Baumusterprüfbescheinigung darf nur unverändert weiterverbreitet werden.
Auszüge oder Änderungen bedürfen der Genehmigung der Physikalisch-Technischen Bundesanstalt.
Physikalisch-Technische Bundesanstalt • Bundesallee 100 • 38116 Braunschweig • DEUTSCHLAND



SCHEDULE TO EU-TYPE EXAMINATION CERTIFICATE
PTB 08 ATEX 1113 X Issue : 01

being at least function tested in accordance with Directive 94/9/EC.

The concerted operation of motor and monitoring device will be indicated by a plate additionally provided on the motor.

Overcurrent protection devices with current-based delayed tripping must in this context be regarded as additional monitoring devices.

2.2 The motors will be operated within the 15-Hz to 50/60-Hz frequency range. The converter output voltage will be controlled so that within the 15-Hz to 50/60-Hz range an approximately linear relationship between voltage and frequency will be maintained, i.e. that a basically constant machine flow in compliance with the ratings will be maintained.

The converter current limitation will be set at three times the motor current as a maximum.

Supplementary and monitoring devices with their own certificate and explosion protection marking have to be selected so that they comply with the conditions at the place of installation.

Monitoring devices must satisfy the requirements in Directives 2014/34/EU and EN 1127-1.

For any additional notes concerning restrictions for safe use, reference is made to the data sheet for the machine design.

Electro-thermal motor design

Data sheets 01 to 05 of EC Type Examination Certificate PTB 02 ATEX 1042 also form part of the above mentioned EC-Type Examination Certificate.

(18) Essential health and safety requirements
Met by compliance with the afore-mentioned Standards.

According to Article 41 of Directive 2014/34/EU, EC-type examination certificates which have been issued according to Directive 94/9/EC prior to the date of coming into force of Directive 2014/34/EU (April 20, 2016) may be considered as if they were issued already in compliance with Directive 2014/34/EU. By permission of the European Commission supplements to such EC-Type examination certificates and new issues of such certificates may continue to hold the original certificate number issued before April 20, 2016.

Konformitätsbewertungsstelle, Sektor Explosionsschutz Braunschweig, June 21, 2016

On behalf of PTB:


Dr.-Ing. U. Klausmeyer
Direktor und Professor

EU-Type Examination Certificates without signature and official stamp shall not be valid. The certificates may be circulated only without alteration. Extracts or alterations are subject to approval by the Physikalisch-Technische Bundesanstalt.
In case of dispute, the German text shall prevail.

Physikalisch-Technische Bundesanstalt • Bundesallee 100 • 38116 Braunschweig • GERMANY

Physikalisch-Technische Bundesanstalt

Braunschweig und Berlin



Datenblatt 02 zur EG-Baumusterprüfbescheinigung PTB 02 ATEX 1042

der Firma Jung Pumpen GmbH & Co., 33803 Steinhagen, Deutschland

für den Tauchpumpenmotor Typ D 90 - 2 / 75 E bzw. D 90 - 2 / 75 EK

Bemessungsgrößen und Daten

Diese Bescheinigung gilt unter der Voraussetzung, dass sich die Motoren dieses Typs hinsichtlich der elektrischen und thermischen Beanspruchungen nur unwesentlich von dem geprüften Muster unterscheiden, für die folgenden Ausführungen:

Leistung (Aufnahme):	3,27	kW		
Spannung:	218 - 242	380 - 420	655 - 725	V
Strom:	9,4	5,4	3,1	A
Leistungsfaktor:	0,85			
Frequenz:	50 oder 60			Hz
Drehzahl:	2758 bzw. 3358			min ⁻¹
Umgebungstemperatur:	max. 40			°C
I_{Δ}/I_N :	4,5			
Betriebsart:	S1 bei eingetauchtem Motorteil, S2 14 min., S3 25 % ¹⁾			
¹⁾ Spieldauer	10 min.			

Die Bescheinigung gilt auch für Motoren mit einer geringeren Leistung, jedoch maximal bis zu 3,27 kW Aufnahmelleistung.

Die entsprechenden Daten sind vom Hersteller auf dem Leistungsschild anzugeben.

Gegenüber den Bemessungswerten darf die Netzspannung bis zu $\pm 5\%$ und die Netzfrequenz bis zu $\pm 2\%$ entsprechend dem Bereich A nach IEC 34-1 schwanken.

Temperaturüberwachung

Bei Motoren mit Kälteleiterschutz muss sichergestellt sein, dass bei festgebremstem Läufer und einem Verhältnis $I_{\Delta}/I_N = 4,5$ die Auslösezeit $t_A = 37,4$ s mit einer Toleranz von $\pm 20\%$ eingehalten wird. Dabei ist vom kalten Motor (20°C) und einer Netzspannung 400 V bei 50 Hz auszugehen.

Zur Vermeidung unzulässig hoher Temperaturen am Motorteil sind folgende Bedingungen zu beachten: Bei der Betriebsart S1 muss sichergestellt werden, dass der komplette Motor in das Fördermedium eingetaucht ist.

Bei der Betriebsart S2 14 Minuten sowie bei der Betriebsart S3 25% mit einer Spieldauer von 10 Minuten muss mindestens das Pumpengehäuse komplett in das Fördermedium eingetaucht sein.

Die Einhaltung der Betriebsart S2 bzw. S3 ist durch die elektrische Steuerung zu gewährleisten.

Bei Nichterhaltung einer dieser Bedingungen für die entsprechende Betriebsart, muss der Motor unverzüglich ausgeschaltet werden.

Prüfbericht PTB Ex 02-32109

Zertifizierungsstelle Explosionsschutz
Im Auftrag



A. u. d.
Dr.-Ing. U. Engel
Regierungsdirektor

Braunschweig, 30. Mai 2002

Blatt 1/1

Physikalisch-Technische Bundesanstalt

Braunschweig und Berlin



DATA SHEET 02 TO EC-TYPE-EXAMINATION CERTIFICATE PTB 02 ATEX 1042

Manufacturer: Jung Pumpen GmbH & Co., 33803 Steinhagen, Germany

for the submersible pump motor type D 90 - 2 / 75 E or D 90 - 2 / 75 EK

Ratings

This certificate is valid for the following designs providing the motors of this type differ only negligibly from the sample tested as regards the electrical and thermal stresses:

Power (input):	3,27	kW		
Voltage:	218 - 242	380 - 420	655 - 725	V
Current:	9,4	5,4	3,1	A
Power factor:	0,85			
Frequency:	50 or 60			Hz
Speed:	2758 or. 3358			min ⁻¹
temperature of cooling medium:	max. 40			°C
I_{Δ}/I_N ratio:	4,5			
Duty Type:	S1 with immersed motor section, S2 14 min., S3 25% ¹⁾			
¹⁾ cycle time	10 min.			

The certificate is also valid for motors with a lower power input, but up to 3,27 kW as a maximum.

The manufacturer must state the corresponding data on the nameplate.

The mains voltage may vary by up to $\pm 5\%$ and the mains frequency by up to $\pm 2\%$ from the rated values, in keeping with range A according to IEC 34-1.

Temperature monitoring

For motors with PTC thermistor are to be ensured that with a locked rotor and a ratio of $I_{\Delta}/I_N = 4,5$, the release time $t_A = 37,4$ s will be maintained at a tolerance of $\pm 20\%$. This applies for a cold motor (20 °C), and a rated voltage of 400 V at 50 Hz.

To avoid inadmissibly high temperatures on the motor the following conditions are to be considered:

For duty type S1 it must be ensured that the complete motor is immersed into the cooling medium.

For duty type S2 14 minutes as well as for duty type S3 25% with a cycle time of 10 minutes the pump case must be complete immersed into the cooling medium.

The adherence to the duty type S2 and/or S3 is to be ensured by the electrical control.

During disregard one of these conditions for the respective duty type, the motor must be switched off immediately.

Report PTB Ex 02-32109

Zertifizierungsstelle Explosionsschutz

By order



A. u. d.
Dr.-Ing. U. Engel
Regierungsdirektor

Braunschweig, May 30, 2002

page 1/1

Physikalisch-Technische Bundesanstalt

Braunschweig und Berlin

Datenblatt 03 zur EG-Baumusterprüfbescheinigung PTB 02 ATEX 1042

der Firma Jung Pumpen GmbH & Co., 33303 Steinhagen, Deutschland

für den Tauchpumpenmotor Typ D 90 - 2 / 110 C bzw. D 90 - 2 / 110 CK

Bemessungsgrößen und Daten

Diese Bescheinigung gilt unter der Voraussetzung, dass sich die Motoren dieses Typs hinsichtlich der elektrischen und thermischen Beanspruchungen nur unwesentlich von dem geprüften Muster unterscheiden, für die folgenden Ausführungen.

Leistung (Aufnahme):	218 - 242	380 - 420	655 - 725	4,6	4,84
Spannung:	13,7	7,9			
Strom:		0,90 - 0,85			
Leistungsfaktor:		50 oder 60			
Frequenz:		2819 bzw. 3419			
Drehzahl:		max.	40		
Umgebungstemperatur:			5,6		
I_{Δ}/I_N :					
Betriebsart:			S1 bei eingetauchtem Motorteil, S2 14 min., S3 25 % ¹⁾		

¹⁾ Spieldauer 10 min.

Die Bescheinigung gilt auch für Motoren mit einer geringeren Leistung, jedoch maximal bis zu 4,84 kW Aufnahmelleistung.

Die entsprechenden Daten sind vom Hersteller auf dem Leistungsschild anzugeben.

Gegenüber den Bemessungswerten darf die Netzspannung bis zu $\pm 5\%$ und die Netzfrequenz bis zu $\pm 2\%$ entsprechend dem Bereich A nach IEC 34-1 schwanken.

Temperaturüberwachung

Bei Motoren mit Kaltleiterschutz muss sichergestellt sein, dass bei festgebremstem Läufer und einem Verhältnis $I_{\Delta}/I_N = 5,6$ die Auslösezeit $t_A = 23,4$ s mit einer Toleranz von $\pm 20\%$ eingehalten wird. Dabei ist vom kalten Motor (20°C) und einer Netzspannung 400 V bei 50 Hz auszugehen.

Zur Vermeidung unzulässig hoher Temperaturen am Motorteil sind folgende Bedingungen zu beachten: Bei der Betriebsart S1 muss sichergestellt werden, dass der komplette Motor in das Fördermedium eingetaucht ist.

Bei der Betriebsart S2 14 Minuten sowie bei der Betriebsart S3 25% mit einer Spieldauer von 10 Minuten muss mindestens das Pumpengehäuse komplett in das Fördermedium eingetaucht sein. Die Einhaltung der Betriebsart S2 bzw. S3 ist durch die elektrische Steuerung zu gewährleisten.

Bei Nichterhaltung einer dieser Bedingungen für die entsprechende Betriebsart, muss der Motor unverzüglich ausgeschaltet werden.

Prüfbericht PTB Ex 02-32109

Zertifizierungsstelle Explosionsschutz
Im Auftrag



Dr.-Ing. U. Engel
Regierungsdirektor

U. Engel

Braunschweig, 30. Mai 2002

Physikalisch-Technische Bundesanstalt

Braunschweig und Berlin

DATA SHEET 03 TO EC-TYPE-EXAMINATION CERTIFICATE PTB 02 ATEX 1042

Manufacturer: Jung Pumpen GmbH & Co., 33303 Steinhagen, Germany

for the submersible-pump motor type D 90 - 2 / 110 C or D 90 - 2 / 110 CK

Ratings

This certificate is valid for the following designs providing the motors of this type differ only negligibly from the sample tested as regards the electrical and thermal stresses:

Power (input):	218 - 242	380 - 420	655 - 725	4,6	4,84
Voltage:	13,7	7,9			
Current:		0,90 - 0,85			
Power factor:		50 or 60			
Frequency:		2819 or 3419			
Speed:		max.	40		
temperature of cooling medium:			5,6		
I_{Δ}/I_N ratio:					
Duty Type:			S1 with immersed motor section, S2 14 min., S3 25% ¹⁾		

¹⁾ cycle time 10 min.

The certificate is also valid for motors with a lower power input, but up to 4.84 kW as a maximum. The manufacturer must state the corresponding data on the nameplate.

The mains voltage may vary by up to $\pm 5\%$ and the mains frequency by up to $\pm 2\%$ from the rated values, in keeping with range A according to IEC 34-1.

Temperature monitoring

For motors with PTC thermistor are to be ensured that with a locked rotor and a ratio of $I_{\Delta}/I_N = 5,6$, the release time $t_A = 23,4$ s will be maintained at a tolerance of $\pm 20\%$. This applies for a cold motor (20 °C) and a rated voltage of 400 V at 50 Hz.

To avoid inadmissibly high temperatures on the motor the following conditions are to be considered: For duty type S1 it must be ensured that the complete motor is immersed into the cooling medium. For duty type S2 14 minutes as well as for duty type S3 25% with a cycle time of 10 minutes the pump case must be complete immersed into the cooling medium.

The adherence to the duty type S2 and/or S3 is to be ensured by the electrical control. During disregard one of these conditions for the respective duty type, the motor must be switched off immediately.

Report PTB Ex 02-32109

Zertifizierungsstelle Explosionsschutz
By order



Dr.-Ing. U. Engel
Regierungsdirektor

U. Engel

Braunschweig, May 30, 2002

Physikalisch-Technische Bundesanstalt

Braunschweig und Berlin



Datenblatt 04 zur EG-Baumusterprüfbescheinigung PTB 02 ATEX 1042

der Firma Jung Pumpen GmbH & Co., 33803 Steinhagen, Deutschland

für den Tauchpumpenmotor Typ D 90 - 4 / 75 D bzw. D 90 - 4 / 75 DK

Bemessungsgrößen und Daten

Diese Bescheinigung gilt unter der Voraussetzung, dass sich die Motoren dieses Typs hinsichtlich der elektrischen und thermischen Beanspruchungen nur unwesentlich von dem geprüften Muster unterscheiden, für die folgenden Ausführungen:

Leistung (Aufnahme):	2,80	kW
Spannung:	218 - 242 380 - 420	655 - 725 V
Strom:	8,2 4,7	2,7 A
Leistungsfaktor:	0,87 - 0,82	
Frequenz:	50 oder 60	Hz
Drehzahl:	1338 bzw. 1638	min ⁻¹
Umgebungstemperatur:	max. 40	°C
I_n/I_N :	3,0	

Betriebsart: S1 bei eingetauchtem Motorteil, S2 11 min., S3 20% ¹⁾

¹⁾ Spieldauer 10 min.

Die Bescheinigung gilt auch für Motoren mit einer geringeren Leistung, jedoch maximal bis zu 2,80 kW Aufnahmelleistung.

Die entsprechenden Daten sind vom Hersteller auf dem Leistungsschild anzugeben.

Gegenüber den Bemessungswerten darf die Netzspannung bis zu $\pm 5\%$ und die Netzfrequenz bis zu $\pm 2\%$ entsprechend dem Bereich A nach IEC 34-1 schwanken.

Temperaturüberwachung

Bei Motoren mit Kaltleiterschutz muss sichergestellt sein, dass bei festgebremstem Läufer und einem Verhältnis $I_n/I_N = 3,0$ die Auslösezeit $t_A = 29,3$ s mit einer Toleranz von $\pm 20\%$ eingehalten wird. Dabei ist vom kalten Motor (20°C) und einer Netzspannung 400 V bei 50 Hz auszugehen.

Zur Vermeidung unzulässig hoher Temperaturen am Motorteil sind folgende Bedingungen zu beachten: Bei der Betriebsart S1 muss sichergestellt werden, dass der komplette Motor in das Fördermedium eingetaucht ist.

Bei der Betriebsart S2 11 Minuten sowie bei der Betriebsart S3 20% mit einer Spieldauer von 10 Minuten muss mindestens das Pumpengehäuse komplett in das Fördermedium eingetaucht sein. Die Einhaltung der Betriebsart S2 bzw. S3 ist durch die elektrische Steuerung zu gewährleisten.

Bei Nichteinhaltung einer dieser Bedingungen für die entsprechende Betriebsart, muss der Motor unverzüglich ausgeschaltet werden.

Prüfbericht PTB Ex 02-32109

Zertifizierungsstelle Explosionschutz
Im Auftrag



A. U. Engel
Dr.-Ing. U. Engel
Regierungsdirektor

Braunschweig, 30. Mai 2002

Blatt 1/1

Physikalisch-Technische Bundesanstalt

Braunschweig und Berlin



DATA SHEET 04 TO EC-TYPE-EXAMINATION CERTIFICATE PTB 02 ATEX 1042

Manufacturer: Jung Pumpen GmbH & Co., 33803 Steinhagen, Germany

for the submersible-pump motor type D 90 - 4 / 75 D or D 90 - 4 / 75 DK

Ratings

This certificate is valid for the following designs providing the motors of this type differ only negligibly from the sample tested as regards the electrical and thermal stresses:

Power (input):	2,80	kW
Voltage:	218 - 242 380 - 420	655 - 725 V
Current:	8,2 4,7	2,7 A
Power factor:	0,87 - 0,82	
Frequency:	50 or 60	Hz
Speed:	1338 or 1638	min ⁻¹
temperature of cooling medium:	max. 40	°C
I_n/I_N ratio:	3,0	

Duty Type: S1 with immersed motor section, S2 11 min., S3 20% ¹⁾

¹⁾ cycle time 10 min.

The certificate is also valid for motors with a lower power input, but up to 2,80 kW as a maximum. The manufacturer must state the corresponding data on the nameplate.

The mains voltage may vary by up to $\pm 5\%$ and the mains frequency by up to $\pm 2\%$ from the rated values, in keeping with range A according to IEC 34-1.

Temperature monitoring

For motors with PTC thermistor are to be ensured that with a locked rotor and a ratio of $I_n/I_N = 3,0$, the release time $t_A = 29,3$ s will be maintained at a tolerance of $\pm 20\%$. This applies for a cold motor (20°C) and a rated voltage of 400 V at 50 Hz.

To avoid inadmissibly high temperatures on the motor the following conditions are to be considered: For duty type S1 it must be ensured that the complete motor is immersed into the cooling medium. For duty type S2 11 minutes as well as for duty type S3 20% with a cycle time of 10 minutes the pump case must be complete immersed into the cooling medium.

The adherence to the duty type S2 and/or S3 is to be ensured by the electrical control. During disregard one of these conditions for the respective duty type, the motor must be switched off immediately.

Report PTB Ex 02-32109

Zertifizierungsstelle Explosionsschutz
By order



A. U. Engel
Dr.-Ing. U. Engel
Regierungsdirektor

Braunschweig, May 30, 2002

page 1/1

Bestimmungsgrößen und Daten

Diese Bescheinigung gilt unter der Voraussetzung, dass sich die Motoren dieses Typs hinsichtlich der elektrischen und thermischen Beanspruchungen nur unwesentlich von dem geprüften Muster unterscheiden, für die folgenden Ausführungen:

Leistung (Aufnahme):	218 - 242	380 - 420	655 - 725	4,3	4,21	kW
Spannung:	13,0	7,5				V
Strom:						A
Leistungsfaktor:		0,85 - 0,77				
Frequenz:		50 oder 60				Hz
Drehzahl:		1386 bzw. 1686				min ⁻¹
Umgebungstemperatur:		max.	40			°C
I_n/I_k :			3,5			

Betriebsart: S1 bei eingetauchtem Motorteil, S2 11 min., S3 20 % ¹⁾

¹⁾ Spieldauer 10 min.

Die Bescheinigung gilt auch für Motoren mit einer geringeren Leistung, jedoch maximal bis zu 4,21 kW Aufnahmeleistung.

Die entsprechenden Daten sind vom Hersteller auf dem Leistungsschild anzugeben. Gegenüber den Bemessungswerten darf die Netzspannung bis zu ± 5 % und die Netzfrequenz bis zu - 2 % entsprechend dem Bereich A nach IEC 34-1 schwanken.

Temperaturüberwachung

Bei Motoren mit Kalteleiterschutz muss sichergestellt sein, dass bei festgebremstem Läufer und einem Verhältnis $I_n/I_k = 3,5$ die Auslösezeit $t_a = 24,3$ s mit einer Toleranz von ± 20 % eingehalten wird. Dabei ist vom kalten Motor (20°C) und einer Netzspannung 400 V bei 50 Hz auszugehen.

Zur Vermeidung unzulässig hoher Temperaturen am Motorteil sind folgende Bedingungen zu beachten: Bei der Betriebsart S1 muss sichergestellt werden, dass der komplette Motor in das Fördermedium eingetaucht ist.

Bei der Betriebsart S2 11 Minuten sowie bei der Betriebsart S3 20% mit einer Spieldauer von 10 Minuten muss mindestens das Pumpengehäuse komplett in das Fördermedium eingetaucht sein.

Die Einhaltung der Betriebsart S2 bzw. S3 ist durch die elektrische Steuerung zu gewährleisten. Bei Nichteinhaltung einer dieser Bedingungen für die entsprechende Betriebsart, muss der Motor unverzüglich ausgeschaltet werden.

Prüfbericht PTB Ex 02-32109

Zertifizierungsstelle Explosionsschutz
im Auftrag



A. Engel
Dr.-Ing. U. Engel
Regierungsdirektor

Braunschweig, 30. Mai 2002

Ratings

This certificate is valid for the following designs providing the motors of this type differ only negligibly from the sample tested as regards the electrical and thermal stresses:

Power (input):	218 - 242	380 - 420	655 - 725	4,3	4,21	kW
Voltage:	13,0	7,5				V
Current:						A
Power factor:		0,85 - 0,77				
Frequency:		50 or 60				Hz
Speed:		1386 or 1686				min ⁻¹
temperature of cooling medium:		max.	40			°C
I_n/I_k ratio:			3,5			

Duty Type: S1 with immersed motor section, S2 11 min., S3 20% ¹⁾

¹⁾ cycle time 10 min.

The certificate is also valid for motors with a lower power input, but up to 4,21 kW as a maximum. The manufacturer must state the corresponding data on the nameplate.

The mains voltage may vary by up to ± 5% and the mains frequency by up to ± 2% from the rated values, in keeping with range A according to IEC 34-1.

Temperature monitoring

For motors with PTC thermistor are to be ensured that with a locked rotor and a ratio of $I_n/I_k = 3,5$, the release time $t_a = 24,3$ s will be maintained at a tolerance of ± 20%. This applies for a cold motor (20 °C) and a rated voltage of 400 V at 50 Hz.

To avoid inadmissibly high temperatures on the motor the following conditions are to be considered: For duty type S1 it must be ensured that the complete motor is immersed into the cooling medium. For duty type S2 11 minutes as well as for duty type S3 20% with a cycle time of 10 minutes the pump case must be complete immersed into the cooling medium.

The adherence to the duty type S2 and/or S3 is to be ensured by the electrical control. During disregard one of these conditions for the respective duty type, the motor must be switched off immediately.

Report PTB Ex 02-32109

Zertifizierungsstelle Explosionsschutz
By order



A. Engel
Dr.-Ing. U. Engel
Regierungsdirektor

Braunschweig, May 30, 2002



EG-Baumusterprüfbescheinigung

- (1) Geräte und Schutzsysteme zur bestimmungsgemäßen Verwendung in explosionsgefährdeten Bereichen - Richtlinie 94/9/EG
 (2) EG-Baumusterprüfbescheinigungsnummer

PTB 08 ATEX 1115 X

- (4) Gerät: Tauchpumpenmotor der Typen D 112 - ...
 (5) Hersteller: Jung Pumpen GmbH
 (6) Anschrift: Industriestraße 4 - 6, 33803 Steinhagen, Deutschland
 (7) Die Bauart dieses Gerätes sowie die verschiedenen zulässigen Ausführungen sind in der Anlage und den darin aufgeführten Unterlagen zu dieser Baumusterprüfbescheinigung festgelegt.

(8) Die Physikalisch-Technische Bundesanstalt bescheinigt als benannte Stelle Nr. 0102 nach Artikel 9 der Richtlinie des Rates der Europäischen Gemeinschaften vom 23. März 1994 (94/9/EG) die Erfüllung der grundlegenden Sicherheits- und Gesundheitsanforderungen für die Konzeption und den Bau von Geräten und Schutzsystemen zur bestimmungsgemäßen Verwendung in explosionsgefährdeten Bereichen gemäß Anhang II der Richtlinie.

Die Ergebnisse der Prüfung sind in dem vertraulichen Prüfbericht PTB Ex 08-18363 festgehalten.

(9) Die grundlegenden Sicherheits- und Gesundheitsanforderungen werden erfüllt durch Übereinstimmung mit


EN 60079-0:2006

EN 60079-1:2007

(10) Falls das Zeichen „X“ hinter der Bescheinigungsnummer steht, wird auf besondere Bedingungen für die sichere Anwendung des Gerätes in der Anlage zu dieser Bescheinigung hingewiesen.

(11) Diese EG-Baumusterprüfbescheinigung bezieht sich nur auf Konzeption und Prüfung des festgelegten Gerätes gemäß Richtlinie 94/9/EG. Weitere Anforderungen dieser Richtlinie gelten für die Herstellung und das Inverkehrbringen dieses Gerätes. Diese Anforderungen werden nicht durch diese Bescheinigung abgedeckt.


(12) Die Kennzeichnung des Gerätes muss die folgenden Angaben enthalten:

 **II 2 G Ex d IIB T4**

Zertifizierungssektor Explosionsschutz

Im Auftrag

Braunschweig, 3. Februar 2009


 Dr.-Ing. U. Klausmeyer
 Direktor und Professor



Seite 1/3

EG-Baumusterprüfbescheinigungen ohne Unterschrift und ohne Siegel haben keine Gültigkeit.
 Diese EG-Baumusterprüfbescheinigung darf nur unverändert weiterverbreitet werden.
 Auszüge oder Änderungen bedürfen der Genehmigung der Physikalisch-Technischen Bundesanstalt.
 Physikalisch-Technische Bundesanstalt • Bundesallee 100 • 38116 Braunschweig • DEUTSCHLAND



EC-TYPE-EXAMINATION CERTIFICATE

(Translation)

- (2) Equipment and Protective Systems Intended for Use in Potentially Explosive Atmospheres - Directive 94/9/EC
 (3) EC-type-examination Certificate Number:

PTB 08 ATEX 1115 X

- (4) Equipment: Submersible pump motors, type D 112 - ...
 (5) Manufacturer: Jung Pumpen GmbH
 (6) Address: Industriestraße 4 - 6, 33803 Steinhagen, Germany

(7) This equipment and any acceptable variation thereto are specified in the schedule to this certificate and the documents therein referred to.

(8) The Physikalisch-Technische Bundesanstalt, notified body No. 0102 in accordance with Article 9 of the Council Directive 94/9/EC of 23 March 1994, certifies that this equipment has been found to comply with the Essential Health and Safety Requirements relating to the design and construction of equipment and protective systems intended for use in potentially explosive atmospheres, given in Annex II to the Directive.

The examination and test results are recorded in the confidential report PTB Ex 08-18363.

(9) Compliance with the Essential Health and Safety Requirements has been assured by compliance with:


EN 60079-0:2006

EN 60079-1:2007

(10) If the sign „X“ is placed after the certificate number, it indicates that the equipment is subject to special conditions for safe use specified in the schedule to this certificate.

(11) This EC-type-examination Certificate relates only to the design, examination and tests of the specified equipment in accordance to the Directive 94/9/EC. Further requirements of the Directive apply to the manufacturing process and supply of this equipment. These are not covered by this certificate.

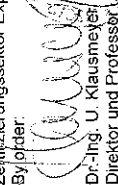
(12) The marking of the equipment shall include the following:

 **II 2 G Ex d IIB T4**

Zertifizierungssektor Explosionsschutz

By order:

Braunschweig, February 3, 2009


 Dr.-Ing. U. Klausmeyer
 Direktor und Professor



sheet 1/3

EC-type-examination Certificates without signature and official stamp shall not be valid. The certificates may be circulated only without alteration. Extracts or alterations are subject to approval by the Physikalisch-Technische Bundesanstalt. In case of dispute, the German text shall prevail.

Physikalisch-Technische Bundesanstalt • Bundesallee 100 • 38116 Braunschweig • GERMANY

A n l a g e

- (13) **SCHEDULE**
- (14) **EC-TYPE-EXAMINATION CERTIFICATE PTB 08 ATEX 1115 X**

(15) Beschreibung des Gerätes

Bei dem Betriebsmittel handelt es sich um eine drehende elektrische Maschine zum Antrieb von Pumpen. Der Motorteil ist in der Zündschutzart Druckfeste Kapselung "d" ausgeführt. Die Stromzufuhr erfolgt über schwere Gummischlauchleitung NSSH04 oder ein mindest gleichwertiges, geprüftes Kabel.

(16) Prüfbericht PTB Ex 08-18363

(17) Besondere Bedingungen

Eine Reparatur an den zünddurchschlagsicheren Spalten darf nur entsprechend den konstruktiven Vorgaben des Herstellers erfolgen. Die Reparatur entsprechend den Werten der Tabelle 1 bzw. 2 der EN 60079-1 ist nicht zulässig.

Zusätzliche Hinweise für den sicheren Betrieb:

Für den Ein- und Aufbau von Komponenten (Anschlussräume, Durchführungen, Ex-Kabel- und Leitungseinführungen, Anschlusssteile) sind nur solche zugelassen, die mindestens dem auf dem Deckblatt angegebenen Normenstand technisch entsprechen und für die eine gesonderte Prüfbescheinigung vorliegt. Die in den entsprechenden Bescheinigungen der Komponenten aufgeführten Einsatzbedingungen sind dabei unbedingt zu beachten und müssen mindestens den in der vorstehenden EG-Baumusterprüfbescheinigung spezifizierten Einsatzbedingungen entsprechen.

Für den Abschluss des druckfesten Raumes sind mindestens Schrauben der Festigkeitsklasse AZ-70 zu verwenden.

1. Für den Betrieb am Netz

Die Motoren dieses Typs müssen zusätzlich zu thermisch verzögerten Überstromauslösern durch 2 Temperaturbegrenzer (150 °C) geschützt werden.

2. Für den Betrieb am Umrichter

2.1 Die Motoren müssen durch eine Einrichtung zur direkten Temperaturüberwachung geschützt werden. Diese besteht aus

in die Wicklung eingebauten Temperaturfühlern (Kaltleiter DIN 44 082-150) und einem Auslösegerät mit dem Prüfzeichen PTB 3.53 – PTC/A bzw. nach Richtlinie 94/9/EG auf Funktion geprüft.

Seite 2/3

EG-Baumusterprüfbescheinigungen ohne Unterschrift und ohne Siegel haben keine Gültigkeit. Diese EG-Baumusterprüfbescheinigung darf nur unverändert weiterverbreitet werden. Auszüge oder Änderungen bedürfen der Genehmigung der Physikalisch-Technischen Bundesanstalt. Physikalisch-Technische Bundesanstalt • Bundessaal 100 • 38116 Braunschweig • DEUTSCHLAND

(15) Description of equipment

The equipment is a rotary electric machine used for driving pumps. The motor section is designed to Flameproof Enclosure "d" type of protection. For power supply, heavy-duty NSSH04 rubber hose lines are used or tested cables of equivalent or better quality.

(16) Test Report PTB Ex 08-18363

(17) Special conditions for safe use

Repairs of the flameproof joints must be made in compliance with the structural specifications provided by the manufacturer. Repairs must not be made on the basis of values specified in tables 1 and 2 of EN 60079-1.

Additional notes for safe operation

Components attached or installed (terminal compartments, bushings, Ex' cable glands, connectors) must be of a technical standard that at least complies with the specifications on the cover sheet and for which a separate examination certificate has been issued. The operating conditions specified in component certificates must be followed and they must as a minimum conform with the operating conditions specified in the above EC Type Examination Certificate. Screws complying with strength class A2-70 as a minimum must be used for enclosure of the flameproof chamber.

1. For mains operation

Motors of this type must be protected by two temperature limiters (150 °C) in addition to thermally delayed overcurrent releases.

2. For converter operation

2.1 The motors must be protected by a device providing for direct temperature monitoring.

temperature sensors embedded in the winding (PTC resistor DIN 44 082-150) and a tripping device with test mark PTB 3.53 – PTC/A or function tested in accordance with Directive 94/9/EC.

The concerted operation of motor and monitoring device will be indicated by a plate additionally provided on the motor.

sheet 2/3

EC-type-examination Certificates without signature and official stamp shall not be valid. The certificates may be circulated only without alteration. Extracts or alterations are subject to approval by the Physikalisch-Technische Bundesanstalt. In case of dispute, the German text shall prevail.

Physikalisch-Technische Bundesanstalt • Bundessaal 100 • 38116 Braunschweig • GERMANY

Physikalisch-Technische Bundesanstalt

Braunschweig und Berlin

Anlage zur EG-Baumusterprüfbescheinigung PTB 08 ATEX 1115 X

Die Zusammengehörigkeit von Motor und Überwachungseinrichtung wird auf dem Motor durch ein Zusatzschild gekennzeichnet.

Überstromschutzeinrichtungen mit stromabhängig verzögerter Auslösung sind hierbei als zusätzliche Überwachung anzusehen.

2.2 Die Motoren werden im Frequenzbereich von 15 Hz bis 50/60 Hz betrieben. Die Ausgangsspannung des Umrichters wird dabei so geregelt, dass im Bereich von 15 Hz bis 50/60 Hz eine annähernd lineare Abhängigkeit zwischen der Spannung und der Frequenz eingehalten wird, d.h. Einhaltung eines praktisch konstanten Maschinenflusses entsprechend den Bemessungsdaten.

Die Strombegrenzung des Umrichters wird höchstens auf den 3fachen Motorstrom eingestellt.

Zusatz- und Überwachungseinrichtungen mit eigener Bescheinigung und Explosionsschutzkennzeichnung sind den am Einsatzort vorliegenden Bedingungen entsprechend auszuwählen.

Überwachungseinrichtungen müssen den Anforderungen nach Richtlinie 94/9/EG, Anhang II, Abschnitt 1.5 und EN 1127-1 genügen.

Weitere einschränkende Hinweise für den sicheren Betrieb sind dem jeweiligen Datenblatt für die Maschinenauslegung zu entnehmen.

Elektrisch-thermische Motorauslegung

Die Datenblätter 01 bis 06 der EG-Baumusterprüfbescheinigung PTB 02 ATEX 1043 sind gleichzeitig Bestandteil der vorstehenden EG-Baumusterprüfbescheinigung.

- (18) Grundlegende Sicherheits- und Gesundheitsanforderungen
Erfüllt durch Übereinstimmung mit den vorgenannten Normen.

Zertifizierungssektor Explosionsschutz
Im Auftrag


Dr.-Ing. U. Klausmeyer
Direktor und Professor

Braunschweig, 3. Februar 2009

Seite 3/3

EG-Baumusterprüfbescheinigungen ohne Unterschrift und ohne Siegel haben keine Gültigkeit.
Diese EG-Baumusterprüfbescheinigung darf nur unverändert weiterverbreitet werden.
Auszüge oder Änderungen bedürfen der Genehmigung der Physikalisch-Technischen Bundesanstalt.
Physikalisch-Technische Bundesanstalt • Bundesallee 100 • 38116 Braunschweig • DEUTSCHLAND



Physikalisch-Technische Bundesanstalt

Braunschweig und Berlin

SCHEDULE TO EC-TYPE-EXAMINATION CERTIFICATE PTB 08 ATEX 1115 X

Overcurrent protection devices with current-based delayed tripping must in this context be regarded as additional monitoring devices.

2.2 The motors will be operated within the 15 Hz to 50/60 Hz frequency range. The converter output voltage will be controlled so that within the 15 Hz to 50/60 Hz range an approximately linear relationship between voltage and frequency will be maintained, i.e. that a basically constant machine flow in compliance with the ratings will be maintained.

The converter current limitation will be set at three times the motor current as a maximum.

Supplementary and monitoring devices with their own certificate and explosion protection marking have to be selected so that they comply with the conditions at the place of installation.

Monitoring devices must satisfy the requirements in Directives 94/9/EC, Annex II, section 1.5, and EN 1127-1.

For any additional notes concerning restrictions for safe use, reference is made to the data sheet for the machine design.

Electro-thermal motor design

Data sheets 01 to 06 of EC Type Examination Certificate PTB 02 ATEX 1043 also form part of the above EC Type Examination Certificate.

- (18) Essential health and safety requirements
Met by compliance with the afore-mentioned Standards.

Zertifizierungssektor Explosionsschutz
By order:


Dr.-Ing. U. Klausmeyer
Direktor und Professor

Braunschweig, February 3, 2009

sheet 3/3

EC-type examination Certificates without signature and official stamp shall not be valid. The certificates may be circulated only without alteration. Extracts or alterations are subject to approval by the Physikalisch-Technische Bundesanstalt. In case of dispute, the German text shall prevail.

Physikalisch-Technische Bundesanstalt • Bundesallee 100 • 38116 Braunschweig • GERMANY

Braunschweig und Berlin

Datenblatt 04 zur EG-Baumusterprüfbescheinigung PTB 02 ATEX 1043

der Firma Jung Pumpen GmbH & Co., 33803 Steinhagen, Deutschland

für den Tauchpumpenmotor Typ D 112 - 4 / 110 D bzw. D 112 - 4 / 110 DK

Elektrische Bemessungsdaten

Diese Bescheinigung gilt, unter der Voraussetzung, dass sich die Motoren dieses Typs hinsichtlich der elektrischen und thermischen Beanspruchungen nur unwesentlich von dem geprüften Muster unterscheiden, für die folgenden Ausführungen:

Leistung (Aufnahme):	6,39	kW		
Spannung:	218 - 242	380 - 420	655 - 725	V
Strom:	18,8	10,8	6,3	A
Leistungsfaktor:	0,85			
Frequenz:	50 oder 60			Hz
Drehzahl:	1410 bzw. 1710			min ⁻¹
Umgebungstemperatur:	max. 40			°C
I_n/I_N :	3,9			
Betriebsart:	S1 bei eingetauchtem Motorteil, S2 10 min., S3 15 % ¹⁾			
¹⁾ Spieldauer:	10 min.			

Die Bescheinigung gilt auch für Motoren mit einer geringeren Leistung, jedoch maximal bis zu 6,39 kW Aufnahmeleistung.
Die entsprechenden Daten sind vom Hersteller auf dem Leistungsschild anzugeben.
Gegenüber den Bemessungswerten darf die Netzspannung bis zu $\pm 5\%$ und die Netzfrequenz bis zu $\pm 2\%$ entsprechend dem Bereich A nach IEC 34-1 schwanken.

Temperaturüberwachung

Bei Motoren mit Kalteleiterschutz muss sichergestellt sein, dass bei festgebremstem Läufer und einem Verhältnis $I_n/I_N = 3,9$ die Auslösezeit $t_a = 19$ s mit einer Toleranz von $\pm 20\%$ eingehalten wird. Dabei ist vom kalten Motor (20°C) und einer Netzspannung 400 V bei 50 Hz auszugehen.

Zur Vermeidung unzulässig hoher Temperaturen am Motorteil sind folgende Bedingungen zu beachten:
Bei der Betriebsart S1 muss sichergestellt werden, dass der komplette Motor in das Fördermedium eingetaucht ist.

Bei der Betriebsart S2 10 Minuten sowie bei der Betriebsart S3 15% mit einer Spieldauer von 10 Minuten muss mindestens das Pumpengehäuse komplett in das Fördermedium eingetaucht sein.
Die Einhaltung der Betriebsart S2 bzw. S3 ist durch die elektrische Steuerung zu gewährleisten.
Bei Nichteinhaltung einer dieser Bedingungen für die entsprechende Betriebsart, muss der Motor unverzüglich ausgeschaltet werden.

Prüfbericht PTB Ex 02-32058

Zertifizierungsstelle Explosionsschutz

Im Auftrag



Dr.-Ing. U. Engel
Regierungsdirektor

Braunschweig, 30. Mai 2002

Braunschweig und Berlin

DATA SHEET 04 TO EC-TYPE-EXAMINATION CERTIFICATE PTB 02 ATEX 1043

Manufacturer: Jung Pumpen GmbH & Co., 33803 Steinhagen, Germany

for the submersible-pump motor type D 112 - 4 / 110 D or D 112 - 4 / 110 DK

Ratings

This certificate is valid for the following designs providing the motors of this type differ only negligibly from the sample tested as regards the electrical and thermal stresses:

Power (input):	6,39	kW		
Voltage:	218 - 242	380 - 420	655 - 725	V
Current:	18,8	10,8	6,3	A
Power factor:	0,85			
Frequency:	50 or 60			Hz
Speed:	1410 or 1710			min ⁻¹
temperature of cooling medium:	max. 40			°C
I_n/I_N ratio:	3,9			
Duty Type:	S1 with immersed motor section, S2 10 min., S3 15% ¹⁾			
¹⁾ cycle time:	10 min.			

The certificate is also valid for motors with a lower power input, but up to 6,39 kW as a maximum.
The manufacturer must state the corresponding data on the nameplate.

The mains voltage may vary by up to $\pm 5\%$ and the mains frequency by up to $\pm 2\%$ from the rated values, in keeping with range A according to IEC 34-1.

Temperature monitoring

For motors with PTC thermistor are to be ensured that with a locked rotor and a ratio of $I_n/I_N = 3,9$, the release time $t_a = 19$ s will be maintained at a tolerance of $\pm 20\%$. This applies for a cold motor (20°C) and a rated voltage of 400 V at 50 Hz.

To avoid inadmissibly high temperatures on the motor the following conditions are to be considered:

For duty type S1 it must be ensured that the complete motor is immersed into the cooling medium.

For duty type S2 10 minutes as well as for duty type S3 15% with a cycle time of 10 minutes the pump case must be completely immersed into the cooling medium.

The adherence to the duty type S2 and/or S3 is to be ensured by the electrical control.

During disregard one of these conditions for the respective duty type, the motor must be switched off immediately.

Report PTB Ex 02-32058

Zertifizierungsstelle Explosionsschutz

By order



Dr.-Ing. U. Engel
Regierungsdirektor

Braunschweig, May 30, 2002

Physikalisch-Technische Bundesanstalt

Braunschweig und Berlin



Datenblatt 05 zur EG-Baumusterprüfbescheinigung PTB 02 ATEX 1043

der Firma Jung Pumpen GmbH & Co., 33803 Steinhagen, Deutschland

für den Tauchpumpenmotor Typ D 112 - 4 / 140 D bzw. D 112 - 4 / 140 DK

Elektrische Bemessungsdaten

Diese Bescheinigung gilt unter der Voraussetzung, dass sich die Motoren dieses Typs hinsichtlich der elektrischen und thermischen Beanspruchungen nur unwesentlich von dem geprüften Muster unterscheiden, für die folgenden Ausführungen.

Leistung (Aufnahme):	218 - 242	380 - 420	655 - 725	8,2	8,2	kW
Spannung:	24,5					V
Strom:						A
Leistungsfaktor:						
Frequenz:						Hz
Drehzahl:						min ⁻¹
Umgebungstemperatur:						°C
I_{d/I_k} :						
Betriebsart:						
¹⁾ Spieldauer:						10 min.

¹⁾ Spieldauer 10 min. S1 bei eingetauchtem Motorteil, S2 11 min., S3 15% ¹⁾

Die Bescheinigung gilt auch für Motoren mit einer geringeren Leistung, jedoch maximal bis zu 8,25 kW Aufnahmeleistung.

Die entsprechenden Daten sind vom Hersteller auf dem Leistungsschild anzugeben.

Gegenüber den Bemessungswerten darf die Netzspannung bis zu ± 5 % und die Netzfrequenz bis zu ± 2 % entsprechend dem Bereich A nach IEC 34-1 schwanken.

Temperaturüberwachung

Bei Motoren mit Kalleiterschutz muss sichergestellt sein, dass bei festgebremstem Laufer und einem Verhältnis $I_{d/I_k} = 3,9$ die Auslösezeit $t_a = 20,6$ s mit einer Toleranz von ± 20 % eingehalten wird. Dabei ist vom kalten Motor (20°C) und einer Netzspannung 400 V bei 60 Hz auszugehen.

Zur Vermeidung unzulässig hoher Temperaturen am Motorteil sind folgende Bedingungen zu beachten: Bei der Betriebsart S1 muss sichergestellt werden, dass der komplette Motor in das Fördermedium eingetaucht ist.

Bei der Betriebsart S2 11 Minuten sowie bei der Betriebsart S3 15% mit einer Spieldauer von 10 Minuten muss mindestens das Pumpengehäuse komplett in das Fördermedium eingetaucht sein.

Die Einhaltung der Betriebsart S2 bzw. S3 ist durch die elektrische Steuerung zu gewährleisten.

Bei Nicht Einhaltung einer dieser Bedingungen für die entsprechende Betriebsart, muss der Motor unverzüglich ausgeschaltet werden.

Prüfbericht PTB Ex 02-32058

Zertifizierungsstelle Explosionsschutz

Braunschweig, 30. Mai 2002

Im Auftrag



Dr.-Ing. U. Engel
Regierungsdirektor

Blatt 1/1



Physikalisch-Technische Bundesanstalt

Braunschweig und Berlin

DATA SHEET 05 TO EC-TYPE-EXAMINATION CERTIFICATE PTB 02 ATEX 1043

Manufacturer: Jung Pumpen GmbH & Co., 33803 Steinhagen, Germany

for the submersible-pump motor type D 112 - 4 / 140 D or D 112 - 4 / 140 DK

Ratings

This certificate is valid for the following designs providing the motors of this type differ only negligibly from the sample tested as regards the electrical and thermal stresses:

Power (input):	218 - 242	380 - 420	655 - 725	8,2	8,2	kW
Voltage:	24,5					V
Current:						A
Power factor:						
Frequency:						Hz
Speed:						min ⁻¹
temperature of cooling medium:						°C
I_{d/I_k} ratio:						
Duty Type:						
¹⁾ cycle time:						10 min.

¹⁾ cycle time 10 min. S1 with immersed motor section, S2 11 min., S3 15% ¹⁾

The certificate is also valid for motors with a lower power input, but up to 8,25 kW as a maximum. The manufacturer must state the corresponding data on the nameplate.

The mains voltage may vary by up to ± 5% and the mains frequency by up to ± 2% from the rated values, in keeping with range A according to IEC 34-1.

Temperature monitoring

For motors with PTC thermistor, it is to be ensured that with a locked rotor and a ratio of $I_{d/I_k} = 3,9$ the release time $t_a = 20,6$ s will be maintained at a tolerance of ± 20%. This applies for a cold motor (20°C) and a rated voltage of 400 V at 50 Hz.

To avoid inadmissibly high temperatures on the motor the following conditions are to be considered:

For duty type S1 it must be ensured that the complete motor is immersed into the cooling medium.

For duty type S2 11 minutes as well as for duty type S3 15% with a cycle time of 10 minutes the pump case must be completely immersed into the cooling medium.

The adherence to the duty type S2 and/or S3 is to be ensured by the electrical control.

During disregard one of these conditions for the respective duty type, the motor must be switched off immediately.

Report PTB Ex 02-32058

Zertifizierungsstelle Explosionsschutz

Braunschweig, May 30, 2002

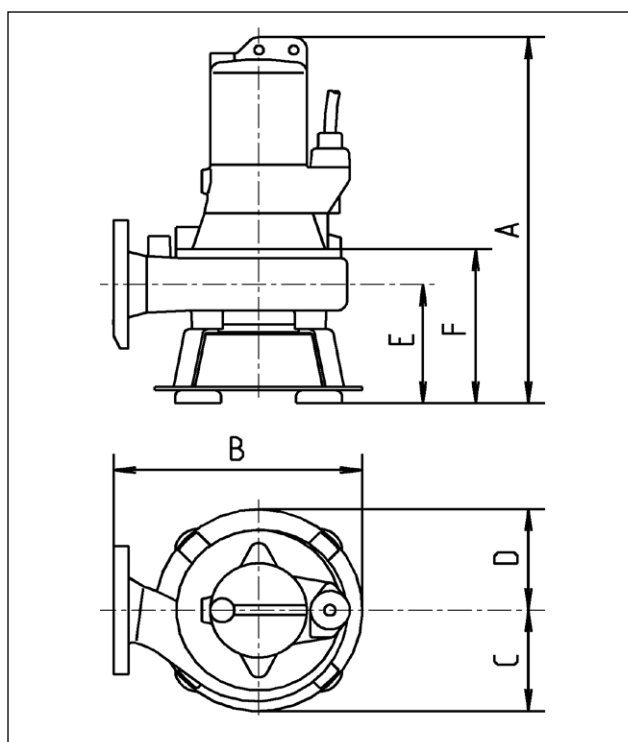
By order



Dr.-Ing. U. Engel
Regierungsdirektor

page 1/1

Technische Daten • Technical data • Caractéristiques techniques • Technische gegevens •
 Dados técnicos • Dati tecnici • Tekniska data • Dane techniczne • Technické údaje • Technické
 údaje • Műszaki adatok • Date tehnicе




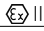
Type	DN	A	B	C	D	E	F
10/2 AW1	65	500	375	130	130	150	200
15/2 AW1	65	500	375	130	130	150	200
25/2 AW1	65	500	375	130	130	150	200
35/2 AW1	65	500	375	130	130	150	200
45/2 AW1	65	565	375	130	130	135	185
15/4 AW2	65	520	400	140	130	135	225
25/4 AW2	65	520	400	140	130	135	225
35/4 AW2	65	555	400	140	130	135	225
45/4 AW2	65	605	415	140	130	140	225
25/2 BW1	80	550	390	140	140	195	260
35/2 BW1	80	585	390	140	140	195	260
45/2 BW1	80	640	390	140	140	195	260
75/2 BW1	80	720	410	140	140	195	260
100/2 BW1	80	780	410	140	140	195	260
15/4 BW1	80	560	375	140	140	195	260
25/4 BW1	80	560	375	140	140	195	260
35/4 BW1	80	590	375	140	140	195	260
45/4 BW2	80	705	500	200	175	215	325
55/4 BW2	80	775	500	200	175	215	325
75/4 BW2	80	775	500	200	175	215	325
100/4 BW2	80	835	500	200	175	215	325
45/2 CW1	100	670	405	140	140	220	290
75/2 CW1	100	750	425	140	140	220	290
100/2 CW1	100	810	425	140	140	220	290
10/4 CW1	100	590	390	140	140	220	290
15/4 CW1	100	590	390	140	140	220	290
25/4 CW1	100	590	390	140	140	220	290
35/4 CW1	100	620	390	140	140	220	290
45/4 CW2	100	715	490	190	190	240	335
55/4 CW2	100	785	490	190	190	240	335
75/4 CW2	100	785	490	190	190	240	335
100/4 CW3	100	865	495	210	175	230	355

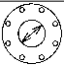

Leistung • Performance • Puissances • Capaciteit • Potência • Prestazioni • Effekt • Wydajności i moce • Výkony • Výkony • Teljesítmény • Capacități

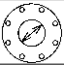
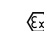
H [m]	1	2	3	4	5	6	7	8	9	10	12	14	16	18	20	22	24	26	28	30	
10/2 AW1	45	37	31	27	22	19	16	13	10	7											
15/2 AW1	50	45	37	33	28	25	22	20	17	15	10										
25/2 AW1	68	61	55	51	46	41	37	33	30	27	22	16	9								
35/2 AW1	82	80	76	70	65	59	56	52	48	44	38	32	26	19	11	2					
45/2 AW1	95	90	84	78	75	72	64	60	54	52	46	41	37	30	24	18	8				
15/4 AW2	63	57	51	45	39	33	24	13													
25/4 AW2	73	67	62	57	52	46	38	29	18	6											
35/4 AW2	93	89	84	79	73	67	59	50	40	30	9										
45/4 AW2						90	81	75	68	60	41	8									Q [m³/h]

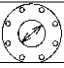

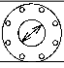
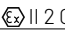
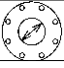
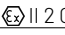
H [m]	1	2	3	4	5	6	7	8	9	10	12	14	16	18	20	22	24	26	28	30	
25/2 BW1		68	62	55	49	43	38	35	31	27	15										
35/2 BW1	90	85	80	74	70	65	60	57	53	50	43	36	29	20	5						
45/2 BW1			85	78	72	66	61	57	54	46	41	35	27	12							
75/2 BW1								80	74	65	59	53	46	36	26	12					
100/2 BW1												82	75	67	60	51	40	29	14		
15/4 BW1	80	71	60	50	42	34	27	18	4												
25/4 BW1	95	84	74	64	55	47	40	32	21	9											
35/4 BW1	115	107	98	90	82	75	68	59	49	35	10										
45/4 BW2	138	128	119	110	105	98	90	80	69	57	31										
55/4 BW2							110	100	93	83	60	34									
75/4 BW2	170	159	152	147	142	136	130	124	117	110	90	67	38	5							
100/4 BW2	180	176	170	165	160	155	150	145	138	131	116	97	73	44	8						Q [m³/h]

H [m]	1	2	3	4	5	6	7	8	9	10	12	14	16	18	20	22	24	26	28	30	
45/2 CW1				84	74	67	60	54	50	46	38	29	17	5							
75/2 CW1						95	85	77	71	67	61	55	47	39	28	11					
100/2 CW1														70	62	52	39	25	9		
10/4 CW1	68	51	37	26	15	11															
15/4 CW1	85	69	56	46	37	28	18	5													
25/4 CW1			70	59	50	41	32	23	11												
35/4 CW1	120	109	100	90	82	74	63	49	34	21											
45/4 CW2	140	130	118	108	98	85	79	68	56	43											
55/4 CW2	151	145	134	122	109	105	95	88	78	67	37										
75/4 CW2	180	170	160	150	143	136	126	118	109	101	84	58	19								
100/4 CW3	230	223	216	208	200	193	184	173	168	158	138	116	85	29							Q [m³/h]

		10/2 AW1	15/2 AW1	25/2 AW1	35/2 AW1	45/2 AW1
	[kg]	43	43	43	46	51
	PN 6/10	DN 65	DN 65	DN 65	DN 65	DN 65
	[mm]	65	65	65	65	65
	S2	35 min	30 min	22 min	24 min	15 min
	S3*	50 %	45 %	35 %	35 %	20 %
Ex Motor		D 90-2/75 E	D 90-2/75 E	D 90-2/75 E	D 90-2/110 C	D 90-2/150 A
	PTB 08	ATEX 1113X 01	ATEX 1113X 01	ATEX 1113 X 01	ATEX 1113 X 01	ATEX 1113 X 01
	 II 2 G	Ex db IIB T4 Gb	Ex db IIB T4 Gb	Ex db IIB T4 Gb	Ex db IIB T4 Gb	Ex db IIB T4 Gb
P1 / P2	[kW]	1,7 / 1,4	2,1 / 1,7	2,9 / 2,3	4,1 / 3,3	6,0 / 5,0
U	[V]	3/PE ~400	3/PE ~400	3/PE ~400	3/PE ~400	3/PE ~400
f	[Hz]	50	50	50	50	50
I	[A]	3,3	3,8	4,9	7,1	9,4
Ader	∅	6G1,5	6G1,5	6G1,5	6G1,5	6G1,5
cos phi		0,78	0,82	0,86	0,84	0,88
n	[min ⁻¹]	2900	2900	2900	2900	2900

		15/4 AW2	25/4 AW2	35/4 AW2	45/4 AW2
	[kg]	49	50	53	55
	PN 6/10	DN 65	DN 65	DN 65	DN 65
	[mm]	65	65	65	65
	S2	35 min	15 min	12	7 min
	S3*	40 %	25 %	20 %	10 %
EX Motor		D 90-4/75 D	D 90-4/75 D	D 90-4/110 C	D 90-4/150 A
	PTB 08	ATEX 1113 X 01	ATEX 1113 X 01	ATEX 1113 X 01	ATEX 1113 X 01
	 II 2 G	Ex db IIB T4 Gb	Ex db IIB T4 Gb	Ex db IIB T4 Gb	Ex db IIB T4 Gb
P1 / P2	[kW]	1,8 / 1,4	2,7 / 2,0	4,2 / 3,1	5,6 / 4,3
U	[V]	3/PE ~400	3/PE ~400	3/PE ~400	3/PE ~400
f	[Hz]	50	50	50	50
I	[A]	3,5	4,6	7,8	9,8
Ader	∅	6G1,5	6G1,5	6G1,5	6G1,5
cos phi		0,78	0,84	0,78	0,82
n	[min ⁻¹]	1450	1450	1450	1360

		25/2 BW1	35/2 BW1	45/2 BW1	75/2 BW1	100/2 BW1	15/4 BW1
	[kg]	46	49	56	96	116	47
	PN 6/10	DN 80	DN 80	DN 80	DN 80	DN 80	DN 80
	[mm]	80	80	80	80	80	80
	S2	14 min	14 min	15	20 min	20 min	30 min
	S3*	25 %	25 %	20 %	25 %	20 %	35 %
EX Motor		D 90-2/ 75 E	D 90-2/110 C	D 90-2/150 A	D 112-2/140 D	D 112-2/200 D	D 90-4/ 75 D
	PTB 08	ATEX 1113 X 01	ATEX 1113 X 01	ATEX 1113 X 01	ATEX 1115 X	ATEX 1115 X	ATEX 1113 X 01
	 II 2 G	Ex db IIB T4 Gb	Ex db IIB T4 Gb	Ex db IIB T4 Gb	Ex d IIB T4	Ex d IIB T4	Ex db IIB T4 Gb
P1 / P2	[kW]	3,27 / 2,55	4,84 / 3,95	6,0 / 5,0	8,05 / 6,8	12,2 / 10,7	2,2 / 1,7
U	[V]	3/PE ~400	3/PE ~400	3/PE ~400	3/PE ~400/690	3/PE ~400/690	3/PE ~400
f	[Hz]	50	50	50	50	50	50
I	[A]	5,4	8,2	9,4	13,7 / 7,9	21,0 / 12,2	4,0
Ader	∅	6G1,5	6G1,5	6G1,5	10G2,5	10G2,5	6G1,5
cos phi		0,87	0,86	0,88	0,85	0,88	0,82
n	[min ⁻¹]	2800	2900	2900	2900	2900	1450

		25/4 BW1	35/4 BW1	45/4 BW2	55/4 BW2	75/4 BW2	100/4 BW2
	[kg]	47	51	73	109	113	136
	PN 6 /10	DN 80	DN 80	DN 80	DN 80	DN 80	DN 80
	[mm]	80	80	80	80	80	80
	S2	15 min	11 min	7 min	10 min	11 min	20 min
	S3*	25 %	20 %	10 %	15 %	10 %	20 %
EX Motor		D 90-4/ 75 D	D 90-4/110 C	D 90-4/150 A	D 112-4/110 D	D 112-4/140 D	D 112-4/200 B
	PTB 08	ATEX 1113 X 01	ATEX 1113 X 01	ATEX 1113 X 01	ATEX 1115 X	ATEX 1115 X	ATEX 1115 X
	 II 2 G	Ex db IIB T4 Gb	Ex db IIB T4 Gb	Ex db IIB T4 Gb	Ex d IIB T4	Ex d IIB T4	Ex d IIB T4
P1 / P2	[kW]	2,8 / 2,1	4,2 / 3,2	5,5 / 4,2	6,39 / 5,1	8,25 / 6,7	10,0 / 8,4
U	[V]	3/PE ~400	3/PE ~400	3/PE ~400	3/PE ~400/690	3/PE ~400/690	3/PE ~400/690
f	[Hz]	50	50	50	50	50	50
I	[A]	4,7	7,8	9,6	11,0 / 6,4	14,2 / 8,2	17,6 / 10,2
Ader	Ø	6G1,5	6G1,5	6G1,5	10G2,5	10G2,5	10G2,5
cos phi		0,85	0,79	0,81	0,84	0,83	0,82
n	[min ⁻¹]	1450	1450	1355	1450	1450	1450
		45/2 CW1	75/2 CW1	100/2 CW1	10/4 CW1	15/4 CW1	25/4 CW1
	[kg]	51	98	110	49	49	49
	PN 6 /10	DN 100	DN 100	DN 100	DN 100	DN 100	DN 100
	[mm]	100	100	100	100	100	100
	S2	15 min	20 min	20 min	35 min	20 min	11 min
	S3*	20 %	25 %	20 %	40 %	30 %	20 %
EX Motor		D 90-2/150 A	D 112-2/140 D	D 112-2/200 D	D 90-4/75	D 90-4/ 75 D	D 90-4/75 D
	PTB 08	ATEX 1113 X 01	ATEX 1115 X	ATEX 1115 X	ATEX 1113 X 01	ATEX 1113 X 01	ATEX 1113 X 01
	 II 2 G	Ex db IIB T4 Gb	Ex d IIB T4	Ex d IIB T4	Ex db IIB T4 Gb	Ex db IIB T4 Gb	Ex db IIB T4 Gb
P1 / P2	[kW]	6,0 / 5,0	8,05 / 6,8	12,2 / 10,7	1,8 / 1,4	2,4 / 1,9	2,8 / 2,1
U	[V]	3/PE ~400	3/PE ~400/690	3/PE ~400/690	3/PE ~400	3/PE ~400	3/PE ~400
f	[Hz]	50	50	50	50	50	50
I	[A]	9,4	13,7 / 7,9	21,0 / 12,2	3,6	4,4	4,7
Ader	Ø	6G1,5	10G2,5	10G2,5	6G1,5	6G1,5	6G1,5
cos phi		0,88	0,85	0,88	0,77	0,83	0,85
n	[min ⁻¹]	2900	2900	2900	1450	1450	1450
		35/4 CW1	45/4 CW2	55/4 CW2	75/4 CW2	100/4 CW3	
	[kg]	53	81	113	117	139	
	PN 6 /10	DN 100	DN 100	DN 100	DN 100	DN 100	
	[mm]	100	100	100	100	100	
	S2	12 min	7 min	10 min	11 min	10 min	
	S3*	20 %	10 %	15 %	15 %	15 %	
EX Motor		D 90-4/110 C	D 90-4/150 A	D 112-4/110 D	D 112-4/140 D	D 112-4/200 B	
	PTB 08	ATEX 1113 X 01	ATEX 1113 X 01	ATEX 1115 X	ATEX 1115 X	ATEX 1115 X	
	 II 2 G	Ex db IIB T4 Gb	Ex db IIB T4 Gb	Ex d IIB T4	Ex d IIB T4	Ex d IIB T4	
P1 / P2	[kW]	4,0 / 3,0	5,3 / 4,1	6,39 / 5,1	8,25 / 6,6	12,95 / 10,6	
U	[V]	3/PE ~400	3/PE ~400	3/PE ~400/690	3/PE ~400/690	3/PE ~400/690	
f	[Hz]	50	50	50	50	50	
I	[A]	7,4	9,3	11,0 / 6,4	14,2 / 8,2	20,3 / 11,7	
Ader	Ø	6G1,5	6G1,5	10G2,5	10G2,5	10G2,5	
cos phi		0,77	0,82	0,84	0,83	0,85	
n	[min ⁻¹]	1450	1450	1450	1450	1450	

- * Beispiel für 40%: 4 min Betrieb und 6 min Pause (Spieldauer 10 min.)
- * Example for 40%: 4 min. operation and 6 min. rest (Cycle duration 10 min.)
- * Exemple: 40% = 4 min de service et 6 min de pause (Durée du jeu 10 min)
- * Exemplo para 40%: 4 min. operação e 6 min. pausa (duração de ciclo 10 min.)
- * Esempio: 40%: 4 min. di funzionamento + 6 min. di pausa (durata del ciclo 10 min.)
- * Exempel med 40 %: 4 min. drift och 6 min. paus (speltid 10 min.)
- * Przykładowo 40%: 4 min pracy i 6 min przerwy (Czas cyklu 10 min)
- * Příklad 40%: 4 min. provoz a 6 min. přestávka (trvání pracovního cyklu 10 min.)
- * Priklad 40%: 4 min prevádzka a 6 min prestávka (doba trvania cyklu 10 min)
- * Példa 40%: 4 perc üzem és 6 perc szünet (ciklusidő 10 perc)
- * Exemplu 40%: 4 min funcționare și 6 min pauză (timp aproximativ 10 min)

SCHALTUNG - CIRCUITRY

Schaltungsänderungen sind unter Verwendung von Quetschverbindern (X2) zwischen Coni-Steckverbindung (X1) und Einbaumotor vorzunehmen. Die neue Quetschverbindung muss fachgerecht hergestellt werden.

Alterations to the circuitry are to be made using crimp connectors (X2) between the conical plug connection (X1) and the built-in motor. The new crimp connection must be professionally made.

Les changements de câblage sont à effectuer en utilisant des sertissages (X2) entre fiche Coni (X1) et moteur encastré. La nouvelle connexion sertie doit être fabriquée de manière qualifiée.

Schakelingswijzigingen moeten worden uitgevoerd met gebruikmaking van knelverbindingen (X2) tussen de Coni-aansluiting (X1) en de inbouwmotor. De nieuwe knelverbinding moet professioneel worden aangebracht.

Le modifichie ai circuiti devono essere apportate utilizzando connettori a compressione (X2) tra il connettore a cono (X1) e il motore integrato. I connettori a compressione nuovi devono essere prodotti secondo lo stato dell'arte.

Kredsløbsændringer skal foretages ved brug af klemmeforbindelser (X2) mellem coni-stikforbindelse (X1) og indbygningsmotoren. Den nye klemmeforbindelse skal fremstilles fagligt korrekt.

Kopplingsändringar ska göras med hjälp av kontaktpressningar (X2) mellan Coni-kontaktförbindelse (X1) och integrerad motor. Den nya kontaktpressningen måste tillverkas på ett fackmässigt sätt.

Kytentämuutoksissa Coni-liittimien (X2) ja kiinteästi asennetun moottorin välissä tulee käyttää puristusliittimiä (X1). Uusi puristusliitos on tehtävä asiantuntevasti.

Zmiany przełączenia realizowane są przy stosowaniu połączeń zaciskowych (X2) między złączem wtykowym Coni (X1) i silnikiem. Nowe połączenie zaciskowe należy wykonać fachowo.

Změny spinání je třeba provádět za použití stlačitelných spojů (X2) mezi násuvným kontaktem Coni (X1) a motorem. Nový stlačitelný spoj musí být vytvořen odborně.

Zmeny v zapojení je možné vykonať za použitia lisovaných spojok (X2) medzi Coni konektorom (X1) a vstavaným motorom. Nové lisované spojenie musí byť odborné zhotovené.

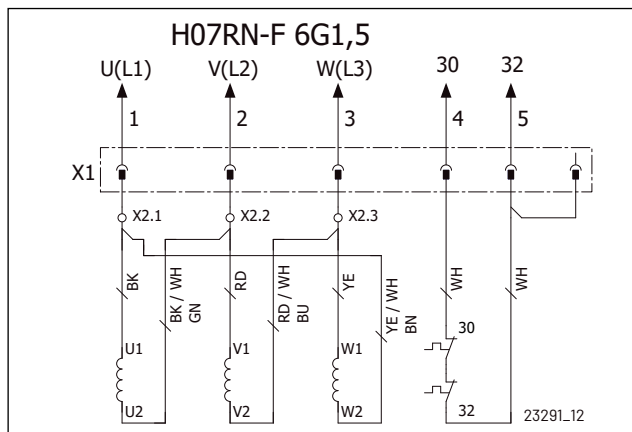
A kapcsolás megváltoztatásához sajtolható csatlakozókat (X2) kell használni a kúpos-dugaszolható csatlakozás (X1) és a beépített motor között. Az új sajtolt csatlakozást szakembernek kell elkészíteni.

Modificările de conectare trebuie efectuate cu folosirea de conectori de compresie (X2) între ansamblul de conectare (X1) și motorul încorporat. Noua conexiune de compresie trebuie făcută în mod profesionist.

Изменения схемы производить с применением обжимателей (X2) между разъемным соединением Coni (X1) и встроенным двигателем. Новое обжимное соединение должно быть выполнено квалифицированно.

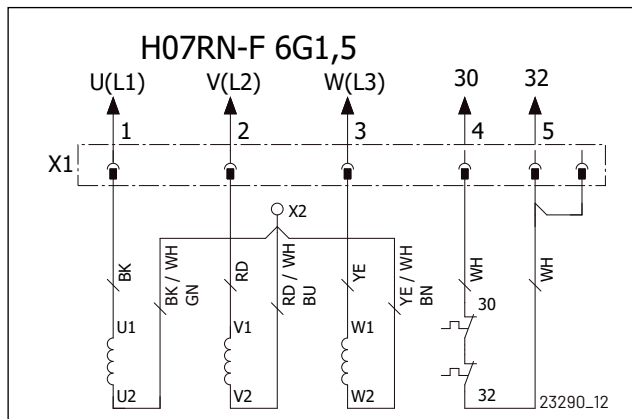
Δ-Schaltung, niedrige Spannung - Δ-Circuitry for low voltage

Δ-Câblage pour basse tension Δ-Schakeling voor lage spanning Δ-Circuitos para baixa tensão Δ-Circuito per bassa tensione Δ-kredsløb til lavspænding Δ-koppling för låg spänning Δ-Kolmiokytkentä, alhainen jännite Δ-Przełączenie na niskie napięcie Δ-Zapínání pro nízké napětí Δ-Zapojenie pre nízke napätie Δ-Kapcsolás kisfeszültségű Δ-Conectare pentru tensiune joasă Δ-соединение для, низкое напряжение



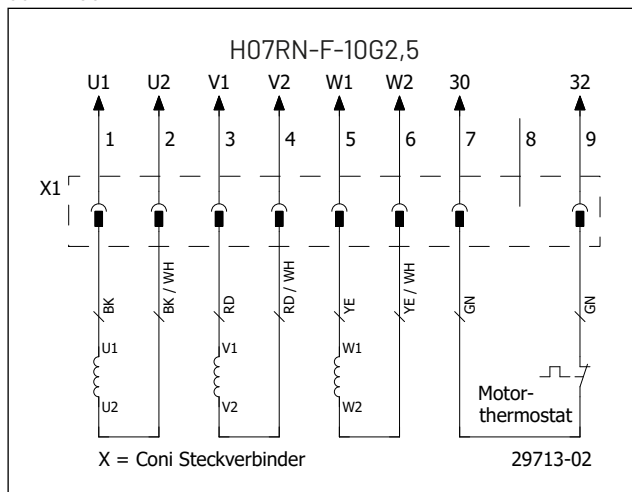
Y-Schaltung, hohe Spannung - Y-Circuitry for high voltage

Y-Câblage pour haute tension Y-Schakeling voor hoge spanning Y-Circuitos para alta tensão Y-Circuito alta tensione Y-kredsløb til højspænding Y-koppling för hög spänning Y-Tähtikytkentä, korkea jännite Y-Przełączenie na wysokie napięcie Y-Zapínání pro vysoké napětí Y-Zapojenie pre vysoké napätie Y-Kapcsolás nagyfeszültségű Y-Conectare pentru tensiune înaltă Y-соединение для, высокое напряжение



ELKTROANSCHLUSS, ELECTRICAL CONNECTION, BRANCHEMENT ÉLECTRIQUE, ELEKTRISCHE AANSLUITING, LIGAÇÕES ELÉTRICAS, COLLEGAMENTO ELETTRICO, ELETRISK ÅNSLUTING, PRZYŁĄCZE ELEKTRYCZNE, ELEKTRICKÉ ZAPOJENÍ, ELEKTRICKÉ PRIPOJENIE, VILLAMOS CSATLAKOZÁS, CONEXIUNE ELECTRICĂ

55/2 - 100/4



KLEINE HILFE BEI STÖRUNGEN

Pumpe läuft nicht

- Netzspannung prüfen (keinen Prüfstift verwenden)
- Sicherung defekt = eventuell zu schwach (siehe Elektro-Anschluss)
- Netzzuleitung beschädigt = Reparatur nur durch den Hersteller

Pumpe läuft, aber fördert nicht

- Druckleitung bzw. Schlauch entleeren, damit die Rückschlagklappe öffnet und die Luft aus dem Ringgehäuse entweichen kann
- Entlüften des Pumpengehäuses durch Herausdrehen der Verschlusschraube "LUFT"

Laufgrad blockiert

- Fest- und Faserstoffe haben sich im Ringgehäuse festgesetzt (siehe Wartung)

Verminderte Förderleistung

- Laufgrad verstopft (siehe Wartung)
- Laufgrad verschlissen = austauschen
- Falsche Drehrichtung = 2 Phasen der Zuleitung von einer Elektrofachkraft wechseln lassen

PETITE AIDE AU DÉPANNAGE

La pompe ne tourne pas

- Vérifiez la tension secteur (ne pas utiliser de pointe de test)
- Fusible défectueux = éventuellement pas assez puissant (cf. Branchement électrique)
- Câble d'alimentation endommagé = réparation uniquement par le fabricant

La pompe tourne, mais ne refoule pas

- Vider la conduite de refoulement ou le flexible pour que le clapet anti-retour s'ouvre et l'air puisse s'échapper du boîtier circulaire
- Purge d'air de la volute en dévissant le bouchon fileté de « LUFT » (air)

Roue de pompe bloquée

- Des matières solides et fibreuses se sont accumulées dans le boîtier circulaire (cf. Entretien)

Rendement de refoulement diminué

- Roue vortex bouchée (cf. Entretien)
- Roue anti-engorgement usée = remplacer
- Sens de rotation inversé = changer 2 phases du câble d'alimentation

WHAT TO DO IN THE EVENT OF ANY PROBLEMS

Pump does not work

- Check mains current (do not use a pin gauge)
- Fuse faulty = may be too weak (please refer to Electrical Connection)
- Mains supply cable damaged = repair to be carried out by manufacturer only

Pump runs but does not pump

- Empty pressure pipe or hose to allow the non-return valve to open and let the air escape from the ring housing.
- Ventilate the pump housing by unscrewing the "LUFT" (air) sealing screw.

The impeller is blocked

- Solids and fibrous matter have become lodged in the ring housing (please refer to Maintenance)

Decreased pumping performance

- The impeller is blocked (please refer to maintenance)
- The impeller is worn out = replace it
- Wrong direction of rotation = change 2 phases of the power supply

BEKNOPTE HULP BIJ STORINGEN

Pomp loopt niet

- De netspanning controleren (geen spanningzoeker gebruiken)
- Zekering defect = misschien te zwak (zie de elektrische aansluiting)
- Netkabel beschadigd = Reparatie alleen door de fabrikant

Pomp loopt, maar voert niets af

- Drukleiding of afvoerslang legen, zodat de terugslagklep zich opent en de lucht kan ontsnappen uit de ringbehuizing
- Ontluchten van het pomphuis door de afsluitschroef "LUFT" (ontluchting) eruit te draaien.

Waaier geblokkeerd

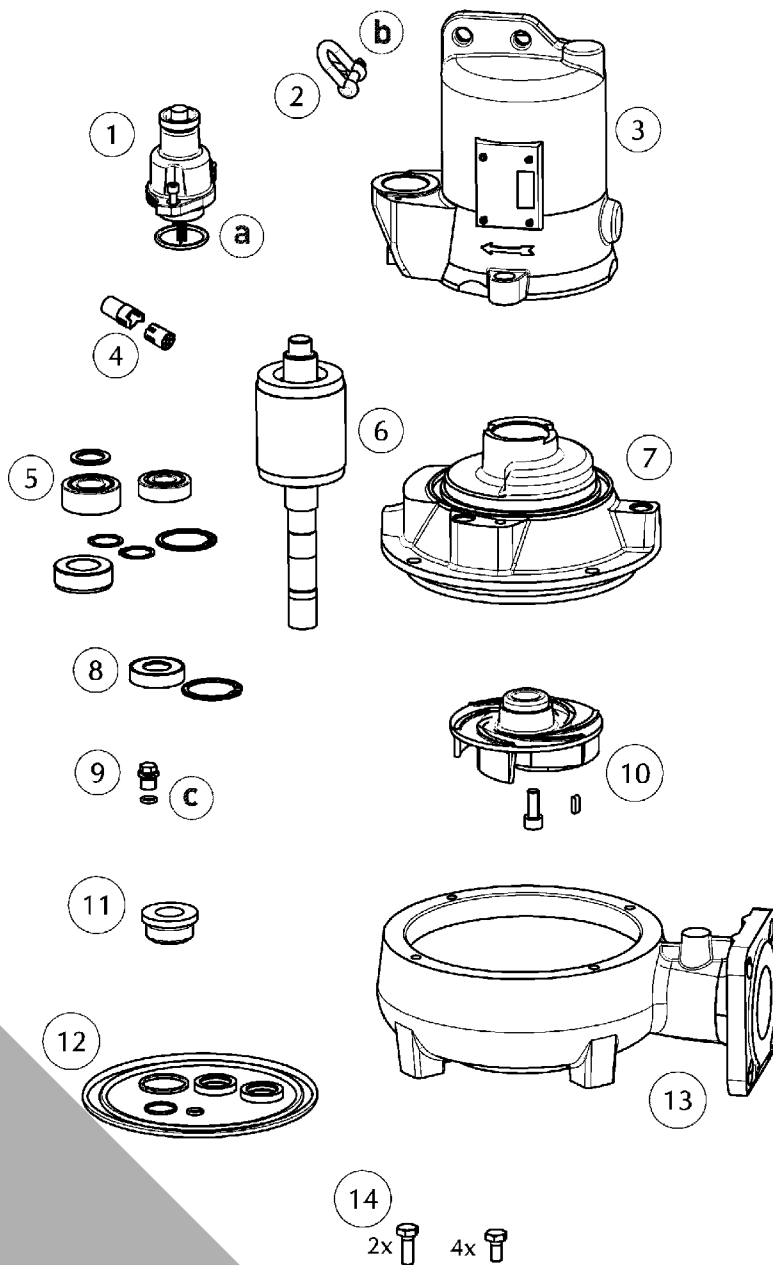
- Vaste stoffen en vezels hebben zich in de ringbehuizing vastgezet. (zie onderhoud)

Verminderde capaciteit

- Waaier verstopt (zie onderhoud)
- Waaier versleten = vervangen
- Verkeerde draairichting = 2 fasen van de stroomkabel laten verwisselen door een erkend elektromonteur

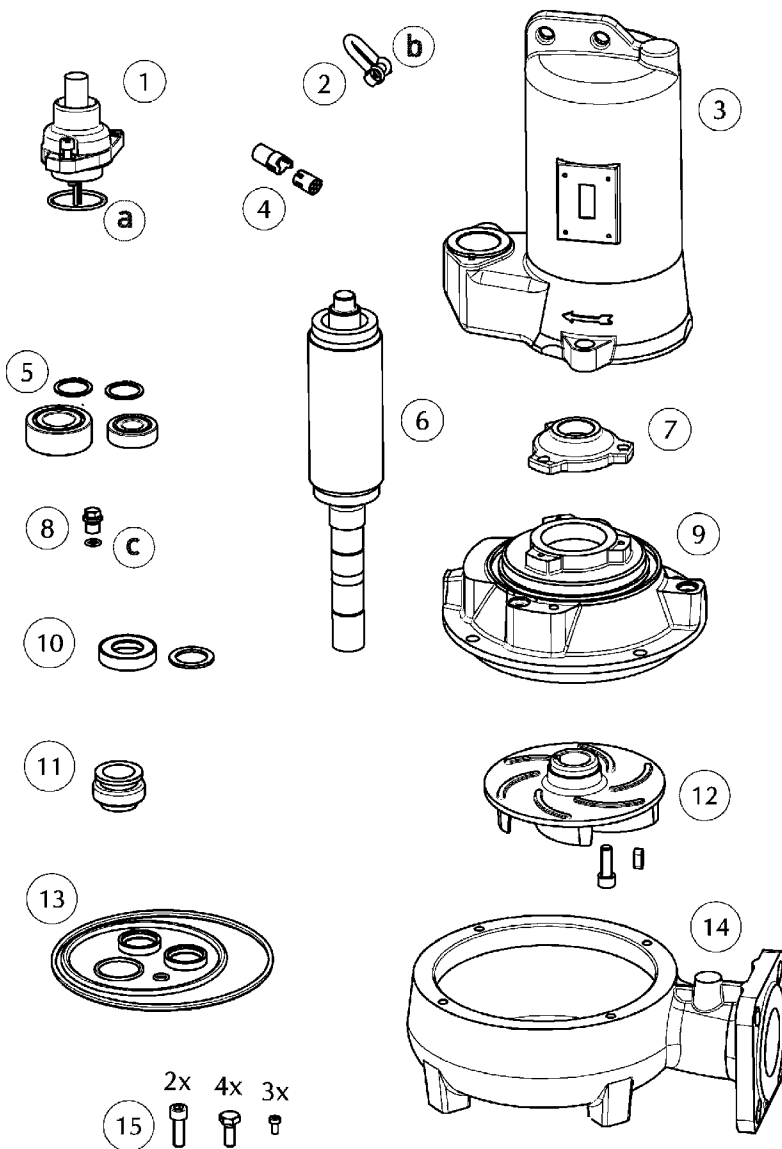
MULTIFREE 10 - 35

Ersatzteile - Spare parts - Pièces de rechange - Reserveonderdelen - Parti di ricambio - Reservedele - Reservdelar
 Varaosat - Części zamienne - Náhradní díly - Alkatrészek - Piese de schimb - Запасные части - 备件

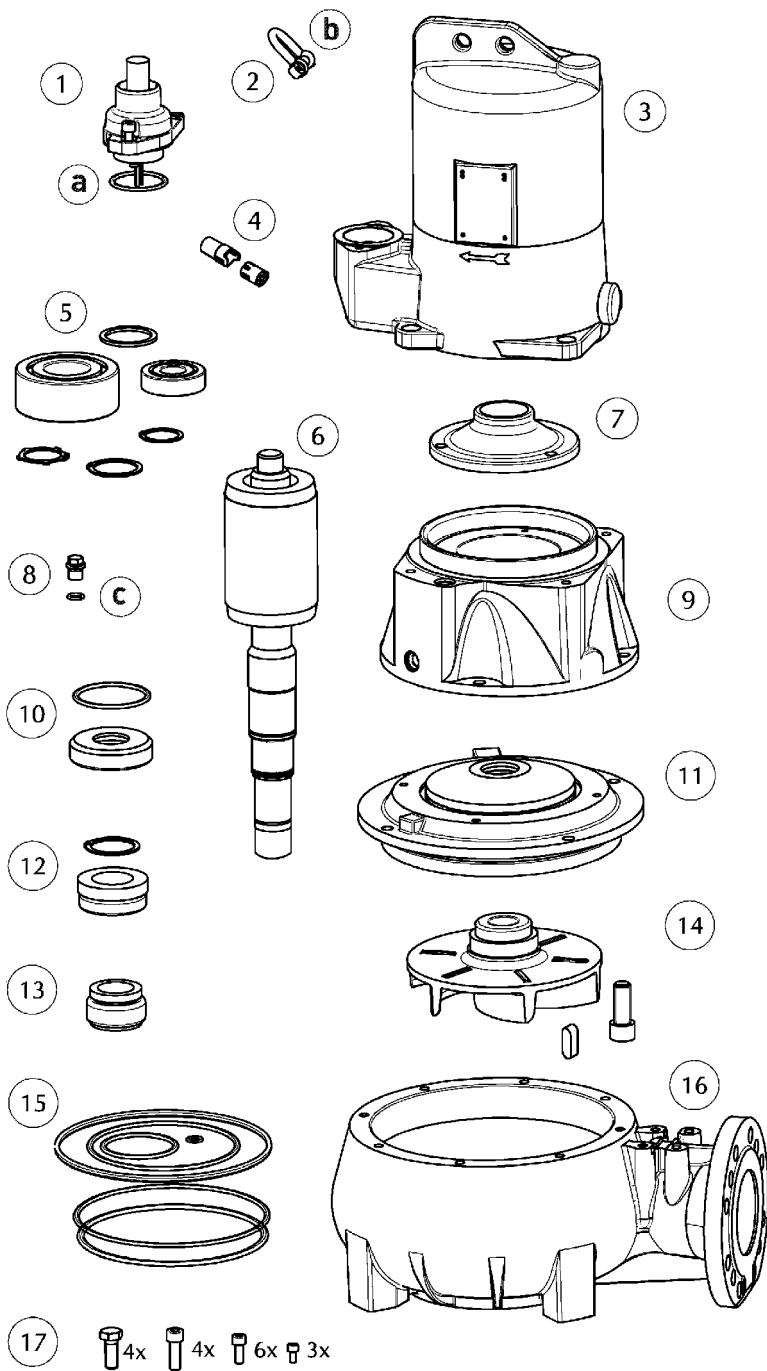


a	10x O-Ring 38x3,5	JP48109
b	10x Splint / Cotter pins 1,6x20	JP46182
c	10x O-Ring 10x2,5	JP48088

①	Leitung 10 m EX, 5 m EX, 10 m EX, 15 m EX, 20 m	Cable	JP46259 JP47501 JP45469 JP45583 JP45584
②	Schäkel	Shackle	JP45904
③	Stator + Gehäuse 10/2, 15/2, 25/2 35/2 10/4, 15/4, 25/4 35/4	Stator + Housing	JP44008 JP46211 JP47042 JP47045
④	Steckverbinder	Connector	JP46572
⑤	Lagersatz	Bearing set	JP46214
⑥	Rotorwelle 10/2, 15/2, 25/2 35/2 10/4, 15/4, 25/4 35/4	Rotor shaft	JP48339 JP48340 JP48342 JP48343
⑦	Lagerkammer	Bearing housing	JP46720
⑧	Wellenabdeckung	Shaft cover	JP47043
⑨	Ölschraube	Oil screw	JP46046
⑩	Laufrad 10/2 AW1 15/2 AW1 25/2 AW1 35/2 AW1 15/4 AW2 25/4 AW2 35/4 AW2 25/2 BW1 35/2 BW1 10/4 CW1 15/4 BW1, 15/4 CW1 25/4 BW1, 25/4 CW1 35/4 BW1, 35/4 CW1	Impeller	JP48351 JP48352 JP48353 JP48354 JP48355 JP48356 JP48357 JP48359 JP48360 JP48362 JP48363 JP48364 JP48365
⑪	Gleitingdichtung	Mechanical seal	JP46567
⑫	Dichtungssatz	Set of seals	JP47077
⑬	Pumpengehäuse AW1 AW2 BW1 CW1	Pump casing	JP46719 JP48591 JP46718 JP46717
⑭	Schraubensatz	Screw set	JP47076
⑮	1l Öl	1l Oil	JP48236



①	Leitung	Cable	
	10 m		JP46259
	EX, 5 m		JP47501
	EX, 10 m		JP45469
	EX, 15 m		JP45583
	EX, 20 m		JP45584
②	Schäkel	Shackle	JP45904
③	Stator + Gehäuse	Stator + Housing	
	45/2		JP48376
	45/4		JP48377
④	Steckverbinder	Connector	JP46572
⑤	Lagersatz	Bearing set	JP48378
⑥	Rotorwelle	Rotor shaft	
	45/2		JP48341
	45/4		JP48344
⑦	Lagerdeckel	Bearing cover	JP48379
⑧	Luft-/Ölschraube	Air-/Oil screw	JP46046
⑨	Lagerkammer	Bearing housing	
	AW1, AW2, BW1, CW1		JP48384
	BW2, CW2		JP48388
⑩	Wellenabdeckung	Shaft cover	JP48380
⑪	Gleitringdichtung	Mechanical seal	JP48381
⑫	Laufblad	Impeller	
	45/2		JP48361
	45/4 AW2		JP48358
	45/4 BW2, CW2		JP48366
⑬	Dichtungssatz	Set of seals	JP48386
⑭	Pumpengehäuse	Pump casing	
	AW1		JP46719
	AW2		JP48591
	BW1		JP46718
	BW2		JP48592
	CW1		JP46717
	CW2		JP46723
⑮	Schraubensatz	Screw set	JP48387
⑯	1l Öl	1l Oil	JP48236



①	Leitung	Cable	
	10 m		JP46575
	EX, 10 m		JP46576
	EX, 15 m		JP46634
	EX, 20 m		JP46635
	EX, 25 m		JP46636
	EX, 30 m		JP46637
②	Schäkel	Shackle	JP45904
③	Stator + Gehäuse	Stator + Housing	
	55/4		JP47142
	75/2		JP46574
	75/4		JP47143
	100/2		JP47144
	100/4		JP47178
④	Steckverbinder	Connector	JP46573
⑤	Lagersatz	Bearing set	JP47137
⑥	Rotorwelle	Rotor shaft	
	55/4		JP48348
	75/2		JP48346
	75/4		JP48349
	100/2		JP48347
	100/4		JP48350
⑦	Lagerdeckel	Bearing cover	JP47155
⑧	Ölschraube	Oil screw	JP46046
⑨	Lagerkammer	Bearing housing	JP47158
⑩	Wellenabdeckung	Shaft cover	JP47181
⑪	Trennflansch	Partition flange	JP47159
⑫	Gleitringdichtung	Mechanical seal	JP46587
⑬	Gleitringdichtung	Mechanical seal	JP47140
⑭	Lauftrad	Impeller	
	55/4 BW2		JP48369
	55/4 CW2		JP48372
	75/2 BW1, CW1		JP48367
	75/4 BW2		JP48370
	75/4 CW2		JP48373
	100/2 BW1, CW1		JP48368
	100/4 BW2		JP48371
	100/4 CW3		JP48374
⑮	Dichtungssatz	Set of seals	JP47138
⑯	Pumpengehäuse	Pump casing	
	BW1		JP46718
	BW2		JP48592
	CW1		JP46717
	CW2		JP46723
	CW3		JP48593
⑰	Schraubensatz	Screw set	JP47139
⑱	1l Öl	1l Oil	JP48236



**PUMP TECHNICAL
SERVICES LIMITED**



THE SUBMERSIBLE PUMP SPECIALISTS

✉ service@pts-jung.co.uk

✉ sales@pts-jung.co.uk

Pump House
Unit 12
Bilton Road Industrial Estate
Erith, Kent, DA8 2AN

☎ 01322 357 080

🌐 pts-jung.co.uk