

MULTIFREE
SEWAGE PUMPS

- Connection alternatively PN6 or PN10
- Safe to run dry
- Controllable oil chamber
- Plug-in cable connection
- SiC mechanical seal independent of sense of rotation
- Moisture-sealed cable inlet
- Installed motor protection



DESCRIPTION

"The centrifugal submersible sewage pumps MultiFree are suitable for handling effluent or sewage in municipal and industrial pumping stations as well as in surface water drainage applications. The smaller types are also very successfully as portable units to deal with emergency situations.

The submersible pumps are made in accordance to EN 12050 with 10 m cable and free lead ends, are available with or without explosion protection (Ex II 2 G Ex db IIB T4 Gb). The through shaft is fully encapsulated against the pumped media and with its short shaft end a long life span is ensured.

MultiFree-sewage pumps are recommended for:

effluent which contains fibrous matter prone to matting / effluent which contains solids / abrasive effluent / effluent which contains trapped air or gas / mixed water / raw effluent / raw sludge / surface water / rainwater

MECHANICAL DATA

Pump	Vertical single-stage	Run dry protection	Yes
Bearing	Ball bearings, grease-lubricated	Impeller	Vortex impeller, spheroidal graphite iron
Seal on motor side	Duplex shaft seal, from 55/: mechanical seal	Motor housing	Grey cast iron
Oil chamber	Yes	Pump housing	Grey cast iron
Seal on medium side	SiC mechanical seal	Submersible	Yes

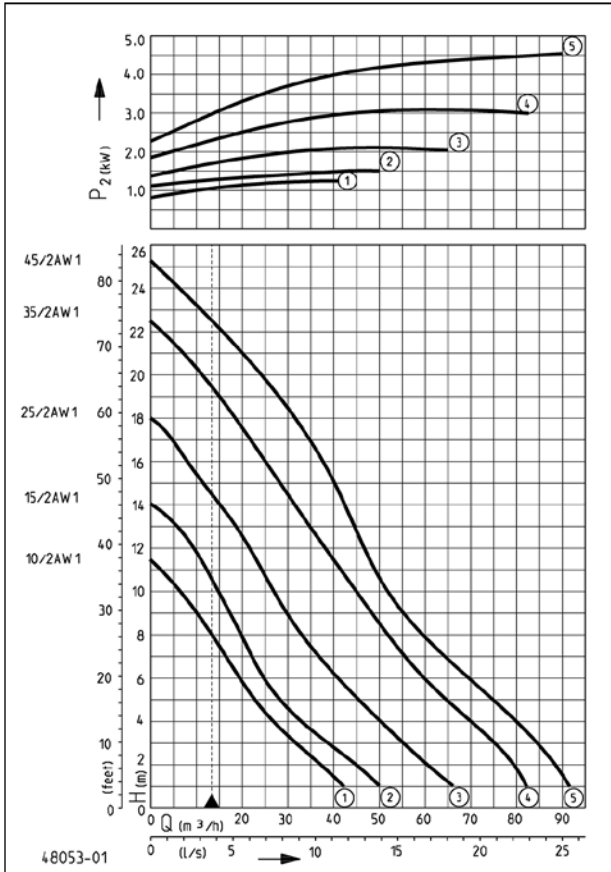
ELECTRICAL DATA

Power line	10m H07RN-F	Winding thermostat	Yes
Type of enclosure	IP 68		

MULTIFREE

SEWAGE PUMPS

PERFORMANCE



Single unit		Duplex unit			
Type	Code No.	Type	Code No.	Type	Code No.
10/2 AW1	JP47280	AD 25	JP00310	BD 25	JP45737
15/2 AW1	JP47278	AD 25	JP00310	BD 25	JP45737
25/2 AW1	JP09149	AD 46	JP14353	BD 46	JP45739
35/2 AW1	JP09151	AD 610	JP14354	BD 610	JP45741
45/2 AW1	JP46796	AD 910	JP47263	BD 910	JP47264
10/2 AW1, Ex	JP47281	AD 25 X	JP09683	BD 25 X	JP09681
15/2 AW1, Ex	JP47279	AD 25 X	JP09683	BD 25 X	JP09681
25/2 AW1, Ex	JP09150	AD 46 X	JP14355	BD 46 X	JP14360
35/2 AW1, Ex	JP09152	AD 610 X	JP14356	BD 610 X	JP14361
45/2 AW1, Ex	JP46870	AD 910 X	JP47265	BD 910 X	JP47266

Additional requirements, see technical data control units

Type	Delivery head H [m]	1	2	3	4	5	6	7	8	9	10	12	14	16	18	20	22
10/2 AW1	Flow rate Q [m ³ /h]	45	37	31	27	22	19	16	13	10	7						
15/2 AW1		50	45	37	33	28	25	22	20	17	15	10					
25/2 AW1		68	61	55	51	46	41	37	33	30	27	22	16	9			
35/2 AW1		82	80	76	70	65	59	56	52	48	44	38	32	26	19	11	2
45/2 AW1		95	90	84	78	75	72	64	60	54	52	46	41	37	30	24	18

Specifications can be changed without notice. Performance subject to ISO 9906 tolerances.

The minimum flow rate in the pressure pipe of $v = 0.7$ m/s is marked in the Q-H-diagram (operative limit).

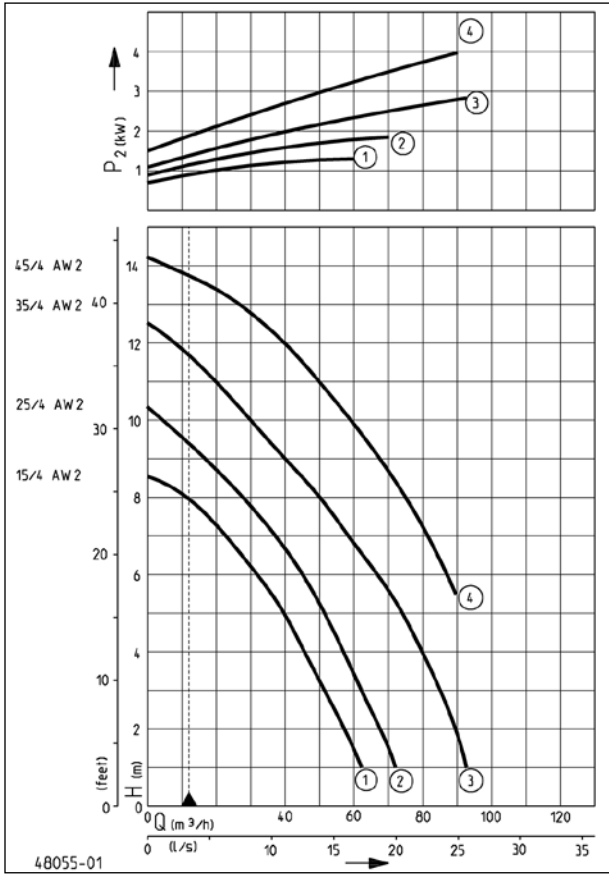
MULTIFREE DN 65, N = 2900 MIN-1

Type	Voltage	Motor rating		Current	Wires	Fuse	S3	Free pas- sage	Pressure outlet	Weight
		P1	P2							
10/2 AW1	3/PE~400 V	1.70 kW	1.40 kW	3.3 A	6G1,5	10 A	50 %	65 mm	DN 65	43 kg
15/2 AW1	3/PE~400 V	2.10 kW	1.70 kW	3.8 A	6G1,5	10 A	45 %	65 mm	DN 65	43 kg
25/2 AW1	3/PE~400 V	2.90 kW	2.30 kW	4.9 A	6G1,5	10 A	35 %	65 mm	DN 65	43 kg
35/2 AW1	3/PE~400 V	4.05 kW	3.34 kW	7.1 A	6G1,5	10 A	35 %	65 mm	DN 65	46 kg
45/2 AW1	3/PE~400 V	6.00 kW	5.00 kW	9.4 A	6G1,5	20 A	20 %	65 mm	DN 65	51 kg

MULTIFREE

SEWAGE PUMPS

PERFORMANCE



Type	Single unit		Duplex unit		
	Code No.	Type	Code No.	Type	Code No.
15/4 AW2	JP46791	AD 25	JP00310	BD 25	JP45737
25/4 AW2	JP46793	AD 46	JP14353	BD 46	JP45739
35/4 AW2	JP46794	AD 610	JP14354	BD 610	JP45741
45/4 AW2	JP46795	AD 910	JP47263	BD 910	JP47264
15/4 AW2, Ex	JP46792	AD 25 X	JP09683	BD 25 X	JP09681
25/4 AW2, Ex	JP46867	AD 46 X	JP14355	BD 46 X	JP14360
35/4 AW2, Ex	JP46868	AD 610 X	JP14356	BD 610 X	JP14361
45/4 AW2, Ex	JP46869	AD 910 X	JP47265	BD 910 X	JP47266

Additional requirements, see technical data control units

Type	Delivery head H [m]	1	2	3	4	5	6	7	8	9	10	12	14
15/4 AW2	Flow rate Q [m³/h]	63	57	51	45	39	33	24	13				
25/4 AW2		73	67	62	57	52	46	38	29	18	6		
35/4 AW2		93	89	84	79	73	67	59	50	40	30	9	
45/4 AW2							90	81	75	68	60	41	8

Specifications can be changed without notice. Performance subject to ISO 9906 tolerances.

The minimum flow rate in the pressure pipe of $v = 0,7 \text{ m/s}$ is marked in the Q-H-diagram (operative limit).

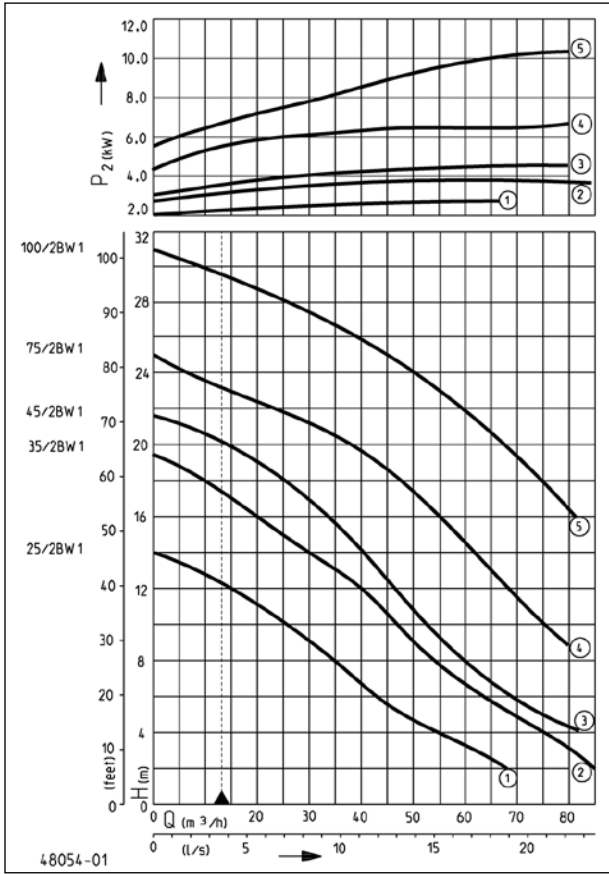
MULTIFREE DN 65, N = 1450 MIN-1

Type	Voltage	Motor rating		Current	Wires	Fuse	S3	Free pas- sage	Pressure outlet	Weight
		P1	P2							
15/4 AW2	3/PE~400 V	1.8 kW	1.40 kW	3.5 A	6G1,5	10 A	40 %	65 mm	DN 65	49.0 kg
25/4 AW2	3/PE~400 V	2.7 kW	2.00 kW	4.6 A	6G1,5	10 A	25 %	65 mm	DN 65	49.5 kg
35/4 AW2	3/PE~400 V	4.2 kW	3.18 kW	7.8 A	6G1,5	10 A	20 %	65 mm	DN 65	53.0 kg
45/4 AW2	3/PE~400 V	5.6 kW	4.30 kW	9.8 A	6G1,5	20 A	10 %	65 mm	DN 65	55.0 kg

MULTIFREE

SEWAGE PUMPS

PERFORMANCE



Single unit		Duplex unit			
Type	Code No.	Type	Code No.		
25/2 BW1	JP09498	AD 46	JP14353	BD 46	JP45739
35/2 BW1	JP09500	AD 610	JP14354	BD 610	JP45741
45/2 BW1	JP46856	AD 910	JP47263	BD 910	JP47264
75/2 BW1	JP46873	AS 610	JP14407	BS 610	JP14412
100/2 BW1	JP46871	AS 1016	JP14408	BS 1016	JP14413
25/2 BW1, Ex	JP09499	AD 46 X	JP14355	BD 46 X	JP14360
35/2 BW1, Ex	JP09501	AD 610 X	JP14356	BD 610 X	JP14361
45/2 BW1, Ex	JP46857	AD 910 X	JP47265	BD 910 X	JP47266
75/2 BW1, Ex	JP46874	AS 610	JP14407	BS 610	JP14412
100/2 BW1, Ex	JP46872	AS 1016	JP14408	BS 1016	JP14413

Additional requirements, see technical data control units

Type	Delivery head H [m]	1	2	3	4	5	6	7	8	9	10	12	14	16	18	20	22	24	26	28	30	
25/2 BW1	Flow rate Q [m³/h]	68	62	55	49	43	38	35	31	27	15											
35/2 BW1		90	85	80	74	70	65	60	53	50	47	40	30	20	10							
45/2 BW1				85	78	72	66	61	57	54	46	41	35	27	12							
75/2 BW1									80	74	65	59	53	46	36	26	12					
100/2 BW1														82	75	67	60	51	40	29	14	

Specifications can be changed without notice. Performance subject to ISO 9906 tolerances.

The minimum flow rate in the pressure pipe of $v = 0,7$ m/s is marked in the Q-H-diagram (operative limit).

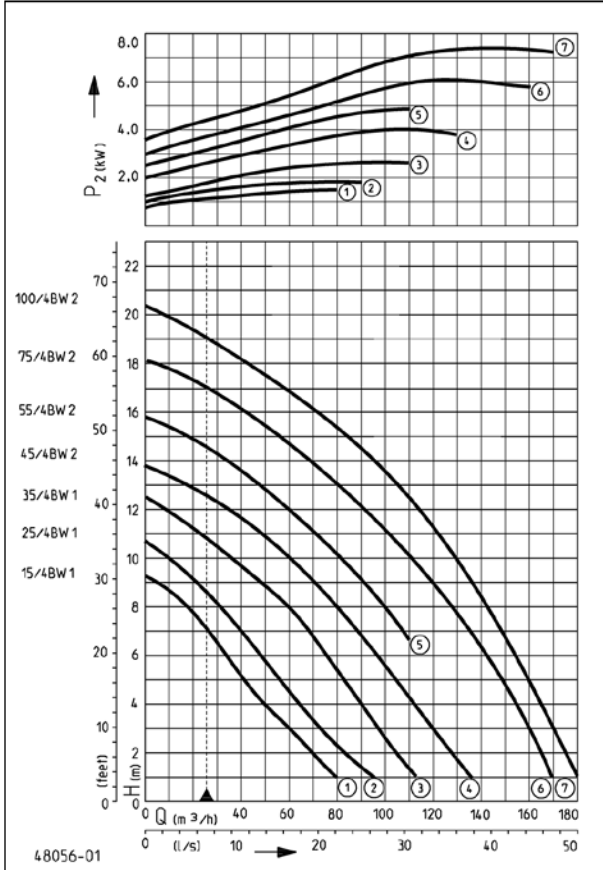
MULTIFREE DN 80, N = 2900 MIN-1

Type	Voltage	Motor rating		Current	Wires	Fuse	S3	Free pas- sage	Pressure outlet	Weight
		P1	P2							
25/2 BW1	3/PE~400 V	3.27 kW	2.55 kW	5.4 A	6G1,5	10 A	25 %	80 mm	DN 80	46 kg
35/2 BW1	3/PE~400 V	4.84 kW	3.95 kW	8.2 A	6G1,5	10 A	25 %	80 mm	DN 80	49 kg
45/2 BW1	3/PE~400 V	6.00 kW	5.00 kW	9.4 A	6G1,5	20 A	20 %	80 mm	DN 80	56 kg
75/2 BW1	3/PE~400/690 V	8.05 kW	6.80 kW	9.4 A/7.9 A	10G2,5	20 A	25 %	80 mm	DN 80	96 kg
100/2 BW1	3/PE~400/690 V	12.20 kW	10.70 kW	21.0 A/12.2 A	10G2,5	25 A	20 %	80 mm	DN 80	116 kg

MULTIFREE

SEWAGE PUMPS

PERFORMANCE



Type	Single unit		Duplex unit	
	Code No.	Type	Code No.	Type
15/4 BW1	JP09455	AD 46	JP14353	BD 46
25/4 BW1	JP09456	AD 46	JP14353	BD 46
35/4 BW1	JP09457	AD 610	JP14354	BD 610
45/4 BW2	JP46858	AD 910	JP47263	BD 910
55/4 BW2	JP48267	AS 610	JP14407	BS 610
75/4 BW2	JP46877	AS 610	JP14407	BS 610
100/4 BW2	JP46875	AS 1016	JP14408	BS 1016
15/4 BW1, Ex	JP09458	AD 46 X	JP14355	BD 46 X
25/4 BW1, Ex	JP09459	AD 46 X	JP14355	BD 46 X
35/4 BW1, Ex	JP09460	AD 610 X	JP14356	BD 610 X
45/4 BW2, Ex	JP46859	AD 910 X	JP47265	BD 910 X
55/4 BW2, Ex	JP48268	AS 610	JP14407	BS 610
75/4 BW2, Ex	JP46878	AS 610	JP14407	BS 610
100/4 BW2, Ex	JP46876	AS 1016	JP14408	BS 1016

Additional requirements, see technical data control units

Type	Delivery head H [m]	1	2	3	4	5	6	7	8	9	10	12	14	16	18	20
15/4 BW1	Flow rate Q [m³/h]	80	71	60	50	42	34	27	18	4						
25/4 BW1		95	84	74	64	55	47	40	32	21	9					
35/4 BW1		115	107	98	90	82	75	68	59	49	35	10				
45/4 BW2		138	128	119	110	105	98	90	80	69	57	31				
55/4 BW2								110	100	93	83	60	34			
75/4 BW2		170	159	152	147	142	136	130	124	117	110	90	67	38	5	
100/4 BW2		180	176	170	165	160	155	150	145	138	131	116	97	73	44	8

Specifications can be changed without notice. Performance subject to ISO 9906 tolerances.

The minimum flow rate in the pressure pipe of $v = 0,7 \text{ m/s}$ is marked in the Q-H-diagram (operative limit).

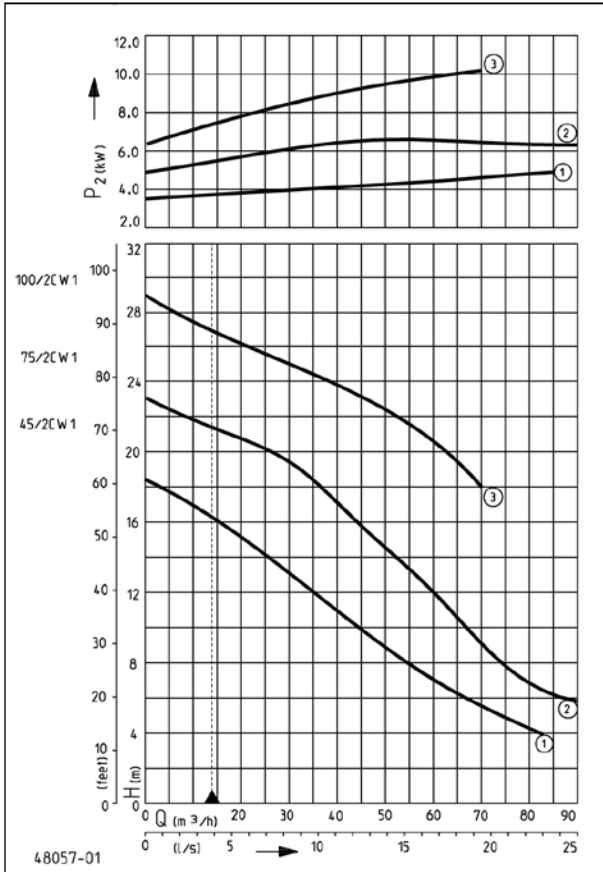
MULTIFREE DN 80, N = 1450 MIN-1

Type	Voltage	Motor rating		Current	Wires	Fuse	S3	Free pas-sage	Pressure outlet	Weight
		P1	P2							
15/4 BW1	3/PE~400 V	2.20 kW	1.7 kW	4.0 A	6G1,5	10 A	35 %	80 mm	DN 80	47 kg
25/4 BW1	3/PE~400 V	2.80 kW	2.1 kW	4.7 A	6G1,5	10 A	25 %	80 mm	DN 80	47 kg
35/4 BW1	3/PE~400 V	4.20 kW	3.2 kW	7.8 A	6G1,5	10 A	20 %	80 mm	DN 80	51 kg
45/4 BW2	3/PE~400 V	5.50 kW	4.2 kW	9.6 A	6G1,5	10 A	10 %	80 mm	DN 80	73 kg
55/4 BW2	3/PE~400/690 V	6.39 kW	5.1 kW	11.0 A/6.4 A	10G2,5	16 A	15 %	80 mm	DN 80	109 kg
75/4 BW2	3/PE~400/690 V	8.25 kW	6.7 kW	14.2 A/8.2 A	10G2,5	20 A	15 %	80 mm	DN 80	113 kg
100/4 BW2	3/PE~400/690 V	10.00 kW	8.4 kW	17.6 A/10.2 A	10G2,5	25 A	20 %	80 mm	DN 80	136 kg

MULTIFREE

SEWAGE PUMPS

PERFORMANCE



Type	Single unit		Duplex unit		
	Code No.	Type	Code No.	Type	Code No.
45/2 CW1	JP47352	AD 910	JP47263	BD 910	JP47264
75/2 CW1	JP46881	AS 610	JP14407	BS 610	JP14412
100/2 CW1	JP46879	AS 1016	JP14408	BS 1016	JP14413
45/2 CW1, Ex	JP47353	AD 910	JP47263	BD 910	JP47264
75/2 CW1, Ex	JP47229	AS 610	JP14407	BS 1016	JP14413
100/2 CW1, Ex	JP46880	AS 610	JP14407	BS 1016	JP14413

Additional requirements, see technical data control units

Type	Delivery head H [m]	4	5	6	7	8	9	10	12	14	16	18	20	22	24	26	28
45/2 CW1	Flow rate Q [m ³ /h]	84	74	67	60	54	50	46	38	29	17	5					
75/2 CW1				95	85	77	71	67	61	55	47	39	28	11			
100/2 CW1												70	62	52	39	25	9

Specifications can be changed without notice. Performance subject to ISO 9906 tolerances.

The minimum flow rate in the pressure pipe of $v = 0,7$ m/s is marked in the Q-H-diagram (operative limit).

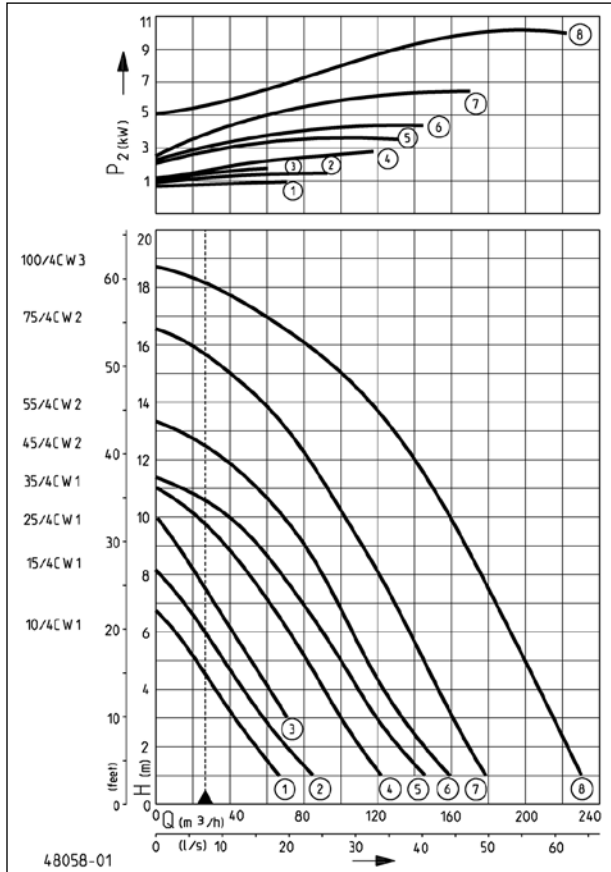
MULTIFREE DN 100, N = 2900 MIN-1

Type	Voltage	Motor rating		Current	Wires	Fuse	S3	Free pas- sage	Pressure outlet	Weight
		P1	P2							
45/2 CW1	3/PE~400 V	6.0 kW	5.0 kW	9.4 A	6G1,5	20 A	20 %	100 mm	DN 100	51.0 kg
75/2 CW1	3/PE~400/690 V	8.1 kW	6.8 kW	13.7 A/7.9 A	10G2,5	20 A	25 %	100 mm	DN 100	98.5 kg
100/2 CW1	3/PE~400/690 V	12.2 kW	10.7 kW	21.0 A/12.2 A	10G2,5	25 A	20 %	100 mm	DN 100	110.0 kg

MULTIFREE

SEWAGE PUMPS

PERFORMANCE



Single unit		Duplex unit			
Type	Code No.	Type	Code No.	Type	Code No.
10/4 CW1	JP09610	AD 25	JP00310	BD 25	JP45737
15/4 CW1	JP09612	AD 46	JP14353	BD 46	JP45739
25/4 CW1	JP09655	AD 46	JP14353	BD 46	JP45739
35/4 CW1	JP09858	AD 610	JP14354	BD 610	JP45741
45/4 CW2	JP47236	AD 910	JP47263	BD 910	JP47264
55/4 CW2	JP47372	AS 610	JP14407	BS 610	JP14412
75/4 CW2	JP47234	AS 610	JP14407	BS 610	JP14412
100/4 CW3	JP47354	AS 1016	JP14408	BS 1016	JP14413
10/4 CW1, Ex	JP09609	AD 25 X	JP09683	BD 25 X	JP09681
15/4 CW1, Ex	JP09611	AD 46 X	JP14355	BD 46 X	JP14360
25/4 CW1, Ex	JP09656	AD 46 X	JP14355	BD 46 X	JP14360
35/4 CW1, Ex	JP09859	AD 610 X	JP14356	BD 610 X	JP14361
45/4 CW2, Ex	JP47237	AD 910 X	JP47265	BD 910 X	JP47266
55/4 CW2, Ex	JP47373	AS 610	JP14407	BS 610	JP14412
75/4 CW2, Ex	JP47235	AS 610	JP14407	BS 610	JP14412
100/4 CW3, Ex	JP47355	AS 1016	JP14408	BS 1016	JP14413

Additional requirements, see technical data control units

Type	Delivery head H [m]	1	2	3	4	5	6	7	8	9	10	12	14	16	18
10/4 CW1	Flow rate Q [m³/h]	68	51	37	26	15	11								
15/4 CW1		85	69	56	46	37	28	18	5						
25/4 CW1				70	59	50	41	32	23	11					
35/4 CW1		120	112	100	90	81	71	60	48	35	20				
45/4 CW2		142	130	118	108	98	85	79	68	56	43				
55/4 CW2		160	145	134	122	109	105	95	88	78	67	37			
75/4 CW2		180	170	162	150	143	136	126	118	109	101	84	58	19	
100/4 CW3		230	223	216	208	200	193	184	173	168	158	138	116	85	29

Specifications can be changed without notice. Performance subject to ISO 9906 tolerances.

The minimum flow rate in the pressure pipe of $v = 0.7$ m/s is marked in the Q-H-diagram (operative limit).

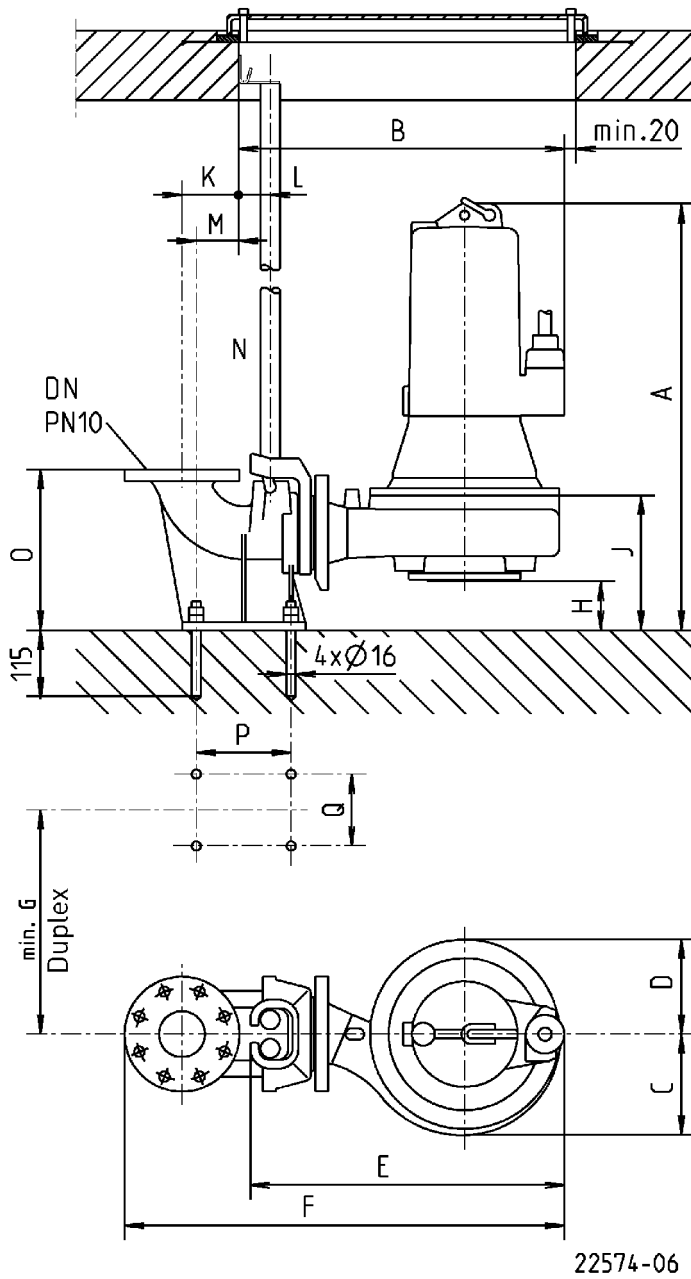
MULTIFREE DN 100, N = 1450 MIN-1

Type	Voltage	Motor rating		Current	Wires	Fuse	S3	Free pas- sage	Pressure outlet	Weight
		P1	P2							
10/4 CW1	3/PE~400 V	1.80 kW	1.40 kW	3.6 A	6G1,5	10 A	40 %	100 mm	DN 100	49 kg
15/4 CW1	3/PE~400 V	2.40 kW	1.90 kW	4.4 A	6G1,5	10 A	30 %	100 mm	DN 100	49 kg
25/4 CW1	3/PE~400 V	2.80 kW	2.04 kW	4.7 A	6G1,5	10 A	20 %	100 mm	DN 100	49 kg
35/4 CW1	3/PE~400 V	4.00 kW	3.00 kW	7.4 A	6G1,5	10 A	20 %	100 mm	DN 100	53 kg
45/4 CW2	3/PE~400 V	5.30 kW	4.10 kW	9.3 A	6G1,5	20 A	10 %	100 mm	DN 100	81 kg
55/4 CW2	3/PE~400/690 V	6.39 kW	5.10 kW	11.0 A/6.4 A	10G2,5	16 A	15 %	100 mm	DN 100	113 kg
75/4 CW2	3/PE~400/690 V	8.25 kW	6.60 kW	14.2 A/8.2 A	10G2,5	20 A	15 %	100 mm	DN 100	117 kg
100/4 CW3	3/PE~400/690 V	12.95 kW	10.60 kW	20.3 A/11.7 A	10G2,5	25 A	15 %	100 mm	DN 100	139 kg

MULTIFREE

SEWAGE PUMPS

Dimensions guide rail system



MULTIFREE

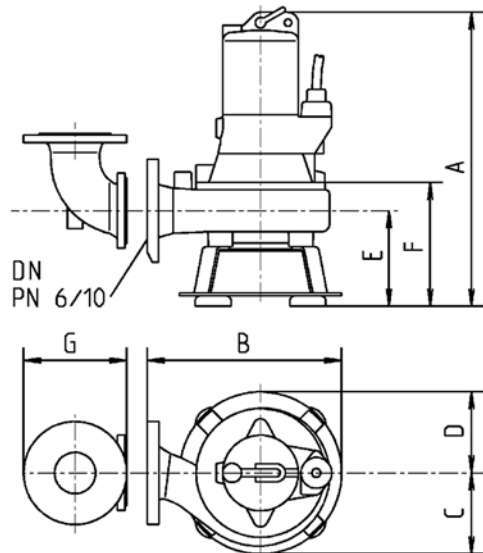
SEWAGE PUMPS

	GR	DN	A	B	C	D	E	F	G	H	J	K	L	M	N	O	P	Q
MultiFree 10/2 AW1	65	80	520	490	130	130	470	690	390	115	220	100	55	74	1"	280	165	125
MultiFree 15/2 AW1	65	80	520	490	130	130	470	690	390	115	220	100	55	74	1"	280	165	125
MultiFree 25/2 AW1	65	80	520	490	130	130	470	690	390	115	220	100	55	74	1"	280	165	125
MultiFree 35/2 AW1	65	80	555	490	130	130	470	690	390	115	220	100	55	74	1"	280	165	125
MultiFree 45/2 AW1	65	80	605	505	130	130	485	705	390	115	225	100	55	74	1"	280	165	125
MultiFree 15/4 AW2	65	80	555	525	140	130	510	725	390	110	260	100	55	74	1"	280	165	125
MultiFree 25/4 AW2	65	80	555	525	140	130	510	725	390	110	260	100	55	74	1"	280	165	125
MultiFree 35/4 AW2	65	80	590	525	140	130	510	725	390	110	260	100	55	74	1"	280	165	125
MultiFree 45/4 AW2	65	80	640	545	140	130	530	745	390	110	260	100	55	74	1"	280	165	125
MultiFree 25/2 BW1	80	80	535	490	140	140	485	705	390	85	235	100	55	74	1"	280	165	125
MultiFree 35/2 BW1	80	80	570	490	140	140	485	705	390	85	235	100	55	74	1"	280	165	125
MultiFree 45/2 BW1	80	80	615	520	140	140	505	725	390	85	235	100	55	74	1"	280	165	125
MultiFree 75/2 BW1	80	80	700	540	140	140	520	740	390	85	235	100	55	74	1"	280	165	125
MultiFree 100/2 BW1	80	80	760	540	140	140	520	740	390	85	235	100	55	74	1"	280	165	125
MultiFree 15/4 BW1	80	80	530	505	140	140	485	705	390	85	235	100	55	74	1"	280	165	125
MultiFree 25/4 BW1	80	80	535	505	140	140	485	705	390	85	235	100	55	74	1"	280	165	125
MultiFree 35/4 BW1	80	80	570	505	140	140	485	705	390	85	235	100	55	74	1"	280	165	125
MultiFree 45/4 BW2	80	80	660	630	200	175	610	830	480	95	280	100	55	74	1"	280	165	125
MultiFree 55/4 BW2	80	80	725	630	200	175	610	830	480	95	280	100	55	74	1"	280	165	125
MultiFree 75/4 BW2	80	80	730	630	205	175	610	830	390	95	280	100	55	74	1"	280	165	125
MultiFree 100/4 BW2	80	80	790	630	205	175	610	830	390	95	280	100	55	74	1"	280	165	125
MultiFree 45/2 CW1	100	100	650	550	140	140	530	775	390	120	270	110	55	82	1"	310	175	150
MultiFree 75/2 CW1	100	100	730	570	140	140	550	795	390	120	270	110	55	82	1"	310	175	150
MultiFree 100/2 CW1	100	100	790	570	140	140	550	795	390	120	270	110	55	82	1"	310	175	150
MultiFree 10/4 CW1	100	100	565	540	140	140	520	760	390	120	270	110	55	82	1"	310	175	150
MultiFree 15/4 CW1	100	100	565	540	140	140	520	760	390	120	270	110	55	82	1"	310	175	150
MultiFree 25/4 CW1	100	100	565	540	140	140	520	760	390	120	270	110	55	82	1"	310	175	150
MultiFree 35/4 CW1	100	100	605	540	140	140	520	760	390	120	270	110	55	82	1"	310	175	150
MultiFree 45/4 CW2	101	100	710	635	195	195	620	860	480	135	330	110	55	82	1"	345	175	385
MultiFree 55/4 CW2	101	100	775	635	195	195	620	860	480	135	330	110	55	82	1"	345	175	385
MultiFree 75/4 CW2	101	100	775	635	195	195	620	860	480	135	330	110	55	82	1"	345	175	385
MultiFree 100/4 CW3	101	100	870	640	215	175	620	865	480	145	360	110	55	82	1"	345	175	385

MULTIFREE

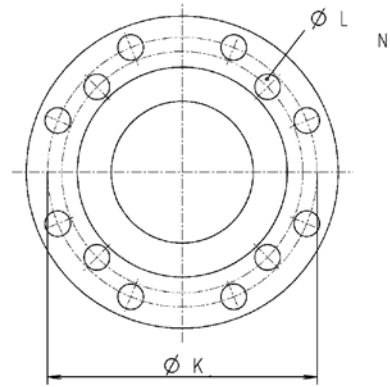
SEWAGE PUMPS

Dimensions pump base



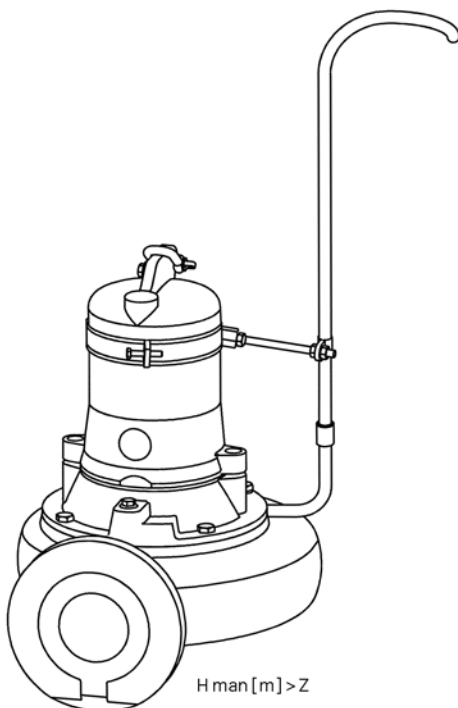
22575-05

Discharge outlet



29044

Minimum flushing tube head (m)



MULTIFREE

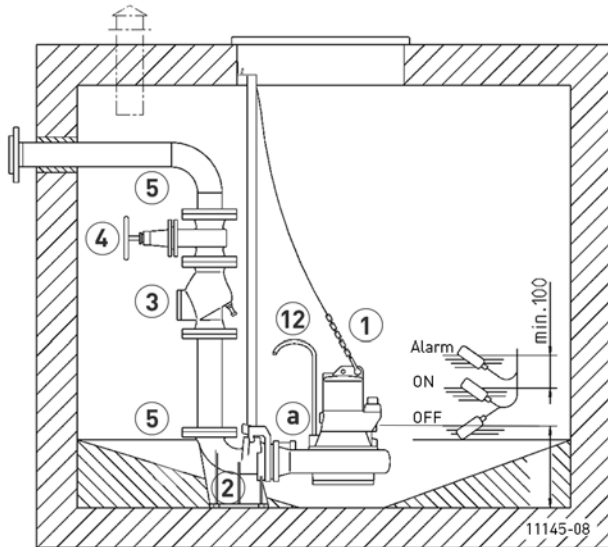
SEWAGE PUMPS

	DN	A	B	C	D	E	F	G	K	L	N	Z
MultiFree 10/2 AW1	65	500	375	130	130	150	200	175	130/145	14/18	4	4
MultiFree 15/2 AW1	65	500	375	130	130	150	200	175	130/145	14/18	4	4
MultiFree 25/2 AW1	65	500	375	130	130	150	200	175	130/145	14/18	4	4
MultiFree 35/2 AW1	65	500	375	130	130	150	200	175	130/145	14/18	4	4
MultiFree 45/2 AW1	65	580	375	130	130	150	200	175	130/145	14/18	4	4
MultiFree 15/4 AW2	65	590	400	140	130	210	295	175	130/145	14/18	4	4
MultiFree 25/4 AW2	65	590	400	140	130	210	295	175	130/145	14/18	4	4
MultiFree 35/4 AW2	65	625	400	140	130	210	295	175	130/145	14/18	4	4
MultiFree 45/4 AW2	65	675	415	140	130	210	295	175	130/145	14/18	4	4
MultiFree 25/2 BW1	80	550	390	140	140	195	260	200	150/160	18	4/8	4
MultiFree 35/2 BW1	80	585	390	140	140	195	260	200	150/160	18	4/8	4
MultiFree 45/2 BW1	80	640	390	140	140	195	260	200	150/160	18	4/8	4
MultiFree 75/2 BW1	80	780	410	140	140	195	260	200	150/160	18	4/8	4
MultiFree 100/2 BW1	80	780	410	140	140	195	260	200	150/160	18	4/8	4
MultiFree 15/4 BW1	80	560	375	140	140	195	260	200	150/160	18	4/8	4
MultiFree 25/4 BW1	80	560	375	140	140	195	260	200	150/160	18	4/8	4
MultiFree 35/4 BW1	80	595	375	140	140	195	260	200	150/160	18	4/8	4
MultiFree 45/4 BW2	80	705	500	200	175	220	330	200	150/160	18	4/8	10
MultiFree 55/4 BW2	80	775	500	200	175	220	330	200	150/160	18	4/8	10
MultiFree 75/4 BW2	80	775	500	205	175	220	330	200	150/160	18	4/8	10
MultiFree 100/4 BW2	80	835	500	205	175	220	330	200	150/160	18	4/8	10
MultiFree 45/2 CW1	100	770	405	140	140	220	290	230	170/180	18	4/8	4
MultiFree 75/2 CW1	100	750	425	140	140	220	290	230	170/180	18	4/8	4
MultiFree 100/2 CW1	100	810	425	140	140	220	290	230	170/180	18	4/8	4
MultiFree 10/4 CW1	100	590	390	140	140	220	290	230	170/180	18	4/8	4
MultiFree 15/4 CW1	100	590	390	140	140	220	290	230	170/180	18	4/8	4
MultiFree 25/4 CW1	100	590	390	140	140	220	290	230	170/180	18	4/8	4
MultiFree 35/4 CW1	100	625	390	140	140	220	290	230	170/180	18	4/8	4
MultiFree 45/4 CW2	100	720	490	195	195	245	335	230	170/180	18	4/8	6
MultiFree 55/4 CW2	100	785	490	195	195	245	335	230	170/180	18	4/8	6
MultiFree 75/4 CW2	100	785	490	195	195	245	335	230	170/180	18	4/8	6
MultiFree 100/4 CW3	100	870	500	215	175	235	360	230	170/180	18	4/8	10

MULTIFREE

SEWAGE PUMPS


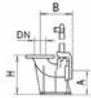
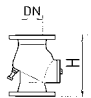
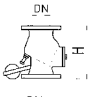
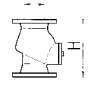
Example of installation guide rail system



Types of operation: Up to 40°C medium temperature
 Motor submerged: continuous operation S1

Motor not submerged intermittent operation S3
 (e.g. 20% = 2 min operation and 8 min pause)

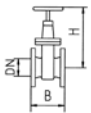
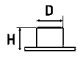
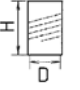

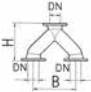
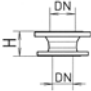
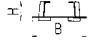
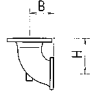

MECHANICAL ACCESSORY

			Code No.
	① Chain	certified, 2.5 m, 320 kg, 5 rings (EN 818 mod.) certified, 5.0 m, 320 kg, 8 rings (EN 818 mod.) certified, 7.5 m, 320 kg, 11 rings (EN 818 mod.) Shackle, certified, 630 kg, stainless steel Pump hanging (08 Ex - 100...)	JP45901 JP45902 JP47365 JP45904 JP45925
	② Guide rail system	GR 65 DN 80, 170x226x280 (AxBxH) GR 80 DN 80, 170x229x280 (AxBxH) GR 100 DN 100, 200x254x310 (AxBxH) GR 101 DN 100, 235x254x345 (AxBxH)	JP00494 JP00495 JP00496 JP21037
	Guide rail 1"	1500 mm	JP48937
	Guide rail 1"	2000 mm	JP48938
	Guide rail 1"	2500 mm	JP48939
	Guide rail 1"	3000 mm	JP48940
	③ Swing-type check valve	R 80 EN 12050-4 DN 80, PN 4, flange PN 10, EN 558, 260 (H) R 80 G EN 12050-4 DN 80, PN 4, flange PN 10, EN 558, with counter weight, 260 (H)	JP00706 JP00707
	R 101 EN 12050-4 DN 100, PN 4, flange PN 10, EN 558, 300 (H) R 100 G EN 12050-4 DN 100, PN 4, flange PN 10, EN 558, with counter weight, 300(H)		JP00325 JP00324
	Ball-type check valve	K 80 EN 12050-4 DN 80, PN 4, flange PN 10, EN 558, 260 (H)	JP49205


MULTIFREE

SEWAGE PUMPS

MECHANICAL ACCESSORY

				Code No.
	④ Sluice valve	DN 80, PN 10, EN 1171	315x180 (HxB)	JP00639
		DN 100, PN 10, EN 1171	345x190 (HxB)	JP00329
	⑤ Flanged spigot	DN 80 PN 10, F-KS	75x90 (HxD)	JP00686
		DN 80 PN 10, F-KS	85x110 (HxD)	JP00687
		DN 80/100, PN 10, F-piece	76x114 (HxD)	JP09821
		DN 100 PN 10, F-KS	153x110 (HxD)	JP08673
		DN 100 PN 10, F-piece	100x114 (HxD)	JP00688
	⑥ Elastic connection	DN 80	200x90 (HxD)	JP44768
		DN 100, PN 4	200x110 (HxD)	JP44778
		DN 100, PN 4	200x114 (HxD)	JP44774
	⑦ Hose band clamp	3" (DN 80)		JP44766
		4" (DN 100)		JP44767
	⑧ Flanged Y-pipe	DN 80/100/80	355x390(HxB), PN 10	JP00448
		DN 80/100/80	355x480(HxB), PN 10	JP00202
		DN 100/100/100	355x480(HxB), PN 10	JP00203
	⑨ Reducing adapter	DN 80/100 to PN 10, (similar FFR-piece), H=100		JP00498
	⑩ Pump base	A 220, for A2, AW1, AW2	90x295 (HxB)	JP00682
		B 220, for B2,B3,B4,BW1	115x315 (HxB)	JP00684
		C 220, for CW1	145x330 (HxB)	JP11453
		C 275, for B5,B6,C1,C5,BW2,CW3	145x385 (HxB)	JP00685
		C 325, for C2,CW2	145x565 (HxB)	JP00701
	⑪ Flanged connection	A 80 (similar Q-piece 90°), DN 80 PN10/DN 65 PN6	130x75 (HxB)	JP00577
		B 80 (similar Q-piece 90°), DN 80 PN10/PN6	150x100 (HxB)	JP00578
		C 100 (similar Q-piece 90°), DN 100 PN10/PN6	175x120 (HxB)	JP00579
	⑫ Flushing tube	Type I	10/... - 45/...	JP28221
		Type II	55/... - 100/...	JP28222

ELECTRICAL ACCESSORY

				Code No.
	a Seal leak detector	DKG		JP44900
		DKG Ex for explosion-proof pumps		JP00249