



**PUMP TECHNICAL
SERVICES LIMITED**



THE SUBMERSIBLE PUMP SPECIALISTS

MANUFACTURING | SALES | PROJECT DESIGN | INSTALLATION | MAINTENANCE AND REPAIRS

OXYLIFT 2

EN Instruction Manual

WARTUNG

Um eine dauerhafte Betriebssicherheit Ihrer Anlage zu gewährleisten, empfehlen wir einen Wartungsvertrag abzuschließen.

WARNUNG!

Vor jeder Arbeit Pumpe und Steuerung vom Netz trennen und sicherstellen, dass sie von anderen Personen nicht wieder unter Spannung gesetzt werden können.

WARNUNG!

Das Netzkabel auf mechanische und chemische Beschädigung prüfen. Beschädigte oder geknickte Kabel müssen durch den Hersteller ersetzt werden.

VORSICHT!

Die Pumpe darf erst berührt werden, wenn alle drehenden Teile zum Stillstand gekommen sind.

HINWEIS! Bei Benutzung einer Kette zum Heben der Pumpe beachten Sie bitte die jeweiligen nationalen Unfallverhütungsvorschriften. Hebezeuge sind regelmäßig durch einen Sachverständigen nach den gesetzlichen Vorschriften zu prüfen.

Der Siebfuß verhindert das Eindringen grober Verunreinigungen in das Pumpengehäuse. Das regelmäßige Reinigen des Schwimmers und des Siebfußes von Fasern und Anhaftungen sichert die Funktion der Niveauschaltung und die maximal mögliche Pumpenleistung. Zur Reinigung des Laufrades muss zuerst der Siebfuß abgehoben werden. Jetzt kann das Laufrad durch den Saugmund gereinigt werden.

KLEINE HILFE BEI STÖRUNGEN

Pumpe läuft nicht

- Netzspannung prüfen (keinen Prüfstift verwenden)
- Sicherung defekt = eventuell zu schwach (siehe Elektro-Anschluss)
- Netzzuleitung beschädigt = Leitung austauschen
- Sicherstellen, dass die Pumpe nicht schon vor dem Eintauchen eingeschaltet ist.
- Druckleitung bzw. Schlauch entleeren, damit die Luft aus dem Spiralgehäuse entweichen kann. Abhilfe ist auch durch die beschriebene Entlüftungsbohrung möglich
- evtl. vorhandene Steuerung prüfen
- bei Pumpen mit angebaute Schaltung = Wasserstand evtl. zu niedrig

Laufrad blockiert

- Fest- und Faserstoffe haben sich im Spiralgehäuse festgesetzt (siehe Wartung)

Verminderte Förderleistung

- Siebfuß verstopft (siehe Wartung)
- Druckleitung verstopft = reinigen
- Laufrad verschlissen = Reparatur nur durch den Hersteller

You have purchased a product made by Pentair Jung Pumpen and with it, therefore, also excellent quality and service. Secure this service by carrying out the installation works in accordance with the instructions, so that our product can perform its task to your complete satisfaction. Please remember that damage caused by incorrect installation or handling will adversely affect the guarantee.

This appliance can be used by children aged 8 years or over and by persons with limited physical, sensory or intellectual capabilities, or with limited experience and knowledge, provided that they are supervised or have been instructed in the safe use of the appliance and are aware of the dangers involved. Children must not be allowed to play with the appliance. Cleaning and user maintenance must not be carried out by children unless they are supervised.

Damage prevention in case of failure

Like any other electrical device, this product may fail due to a lack of mains voltage or a technical defect.

If damage (including consequential damage) can occur as a result of product failure, the following precautions can be taken at your discretion:

- Installation of a water level dependent (under circumstances, mains-independent) alarm system, so that the alarm can be heard before damage occurs.
- Inspection of the collecting tank/chamber for tightness up to the top edge before – or at the latest, during – installation or operation of the product.
- Installation of backflow protection for drainage units that can be damaged by wastewater leakage upon product failure.
- Installation of a further product that can compensate in case of failure of the other product (e.g. duplex unit).
- Installation of an emergency power generator.

As these precautions serve to prevent or minimise consequential damage upon product failure, they are to be strictly observed as the manufacturer's guideline – in line with the standard DIN EN specifications as state of the art – when using the product (Higher Regional Court Frankfurt/Main, Ref.: 2 U 205/11, 06/15/2012).

SAFETY INSTRUCTIONS

This instruction manual contains essential information that must be observed during installation, operation and servicing. It is therefore important that the installer and the responsible technician/operator read this instruction manual before the equipment is installed and put into operation. The manual must always be available at the location where the pump or the plant is installed.

Failure to observe the safety instructions can lead to the loss of all indemnity.

In this instruction manual, safety information is distinctly labelled with particular symbols. Disregarding this information can be dangerous.



General danger to people



Warning of electrical voltage

NOTICE! Danger to equipment and operation

Qualification and training of personnel

All personnel involved with the operation, servicing, inspection and installation of the equipment must be suitably qualified for this work and must have studied the instruction manual in depth to ensure that they are sufficiently conversant with its contents. The supervision, competence and areas of responsibility of the personnel must be precisely regulated by the operator. If the personnel do not have the necessary skills, they must be instructed and trained accordingly.

Safety-conscious working

The safety instructions in this instruction manual, the existing national regulations regarding accident prevention, and any internal working, operating and safety regulations must be adhered to.

Safety instructions for the operator/user

All legal regulations, local directives and safety regulations must be adhered to.

The possibility of danger due to electrical energy must be prevented.

Leakages of dangerous (e.g. explosive, toxic, hot) substances must be discharged such that no danger to people or the environment occurs. Legal regulations must be observed.

Safety instructions for installation, inspection and maintenance works

As a basic principle, works may only be carried out to the equipment when it is shut down. Pumps or plant that convey harmful substances must be decontaminated.

All safety and protection components must be re-fitted and/or made operational immediately after the works have been completed. Their effectiveness must be checked before restarting, taking into account the current regulations and stipulations.

Unauthorised modifications, manufacture of spare parts

The equipment may only be modified or altered in agreement with the manufacturer. The use of original spare parts and accessories approved by the manufacturer is important for safety reasons. The use of other parts can result in liability for consequential damage being rescinded.

Unauthorised operating methods

The operational safety of the supplied equipment is only guaranteed if the equipment is used for its intended purpose. The limiting values given in the "Technical Data" section may not be exceeded under any circumstances.

Instructions regarding accident prevention

Before commencing servicing or maintenance works, cordon off the working area and check that the lifting gear is in perfect condition.

Never work alone. Always wear a hard hat, safety glasses and safety shoes and, if necessary, a suitable safety belt.

Before carrying out welding works or using electrical devices, check to ensure there is no danger of explosion.

People working in wastewater systems must be vaccinated against the pathogens that may be found there. For the sake of your health, be sure to pay meticulous attention to cleanliness wherever you are working.

Make sure that there are no toxic gases in the working area.

Observe the health and safety at work regulations and make sure that a first-aid kit is to hand.

In some cases, the pump and the pumping medium may be hot and could cause burns.

For installations in areas subject to explosion hazards, special regulations apply!

APPLICATION

Submersible pumps of the oxylift 2 range are suitable for dosing and pumping wastewater in small-scale clarification plants.

WARNING!

The pump must only be connected to sockets that have been installed properly in accordance with the regulations and are protected with at least 10 A (slow) and RCD-safety switches (30mA).

DANGER!

The pump must never be used when a person is in the water.

Modes of operation

Pumped medium at a temperature of 95°F (35°C): continuous operation S1.

Pumped medium at a temperature of 140°F (60°C): intermittent operation S3, 40%, i.e. 4 min. operation and 6 min. interval.

The submersible pump is frost-resistant down to -4°F (-20°C) when stored in dry conditions. When installed, however, it must not be allowed to freeze in the water.

Transport

The pump must always be lifted by the handle and never by the power supply cable or the float of the level control! The pump should only be lowered into deeper chambers or pits using a rope or chain.

ELECTRICAL CONNECTION

NOTICE! Only qualified electricians may carry out electrical works to the pump or the controls.

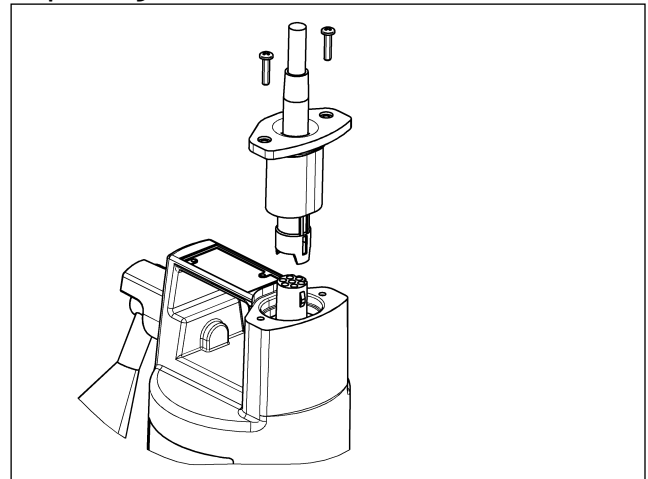
The relevant standards (such as EN standards), country-specific regulations (such as VDE in Germany), and the regulations of the local power supply companies must be observed.

NOTICE! Never put the free lead end in water! If water gets into the plug, this can cause malfunctions and damage.

Observe the operating voltage (see the type plate)!

No additional motor protection is required, since the system has an integrated winding thermostat. Inadmissible temperatures and operating times will result in the thermostat switching the system off (please refer to the section entitled Application). After the thermostat has switched off the system, pull out the mains plug before remedying the fault, since the device can switch itself on again automatically after cooling down if the power is still connected!

Replacing the connection cable



Only use original manufacturer's parts. We recommend replacing the seal and the screws each time the connection cable is replaced.

NOTICE! When the connection cable is loosened, the motor compartment is opened. Please ensure clean and dry conditions when handling the device.

NOTICE! Do NOT use a power screwdriver. A size 2 PZ screwdriver must be used to unscrew and tighten the connection cable.

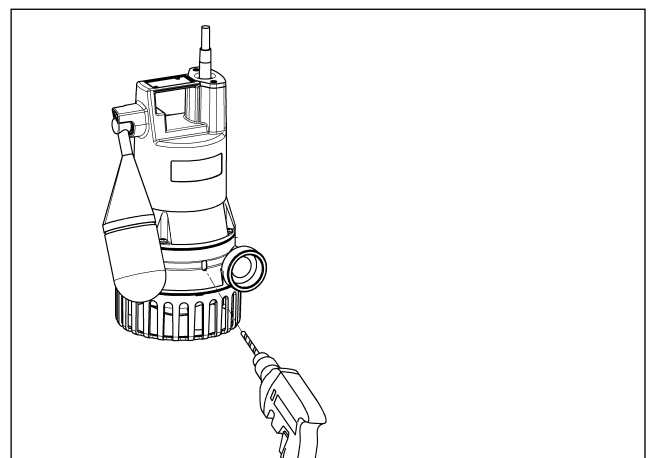
Grease the sealing ring with Vaseline before inserting the cartridge. Then tighten the screws by hand (max 1 Nm).

INSTALLATION

The pump must be securely fixed to ensure that it does not become detached during operation. The pump should be fixed at the control head and the discharge branch.

Venting the pump housing

The pump can be vented by providing a 6 mm drill-hole in the pump housing. This drill-hole allows the pump housing to be reliably vented even if a non-return valve is used.



NOTICE! If the pump is malfunctioning, a slight leakage of the contents of the oil reservoir into the pumping medium is possible.

MAINTENANCE

To ensure continued reliability of service, we recommend that you take out a service contract.



WARNING!

Before carrying out any works: disconnect the pump and the controls from the mains and take steps to ensure that no one else can reconnect them to the power supply.



WARNING!

Check the mains cable for signs of mechanical and chemical damage. Damaged or kinked cables must be replaced by the manufacturer.



CAUTION!

Do not touch the pump until all rotating parts have come to a standstill.

The foot strainer prevents coarse impurities from entering the pump. Regular cleaning of the float and the foot strainer to remove fibres and accumulations ensures optimum performance and operation. To clean the impeller, the foot strainer must first be levered off. The impeller can now be cleaned through the suction opening.

QUICK TIPS FOR REMEDYING FAULTS

Pump does not work

- Check mains current (do not use a pin gauge)
- Fuse faulty = may be too weak (please refer to the section entitled Electrical connection)
- Mains cable damaged = replace cable
- Make sure that the pump is not switched on before the pump is submersed.
- Empty the pressure pipe or hose to allow the air to escape from the spiral housing. The ventilation drilling described can also be used for venting.
- Check any pump controls
- In the case of pumps with an attached control = the water may be too low

Impeller blocked

- Solids and fibrous matter have become lodged in the spiral housing (please refer to the section entitled Maintenance)

Decreased pumping performance

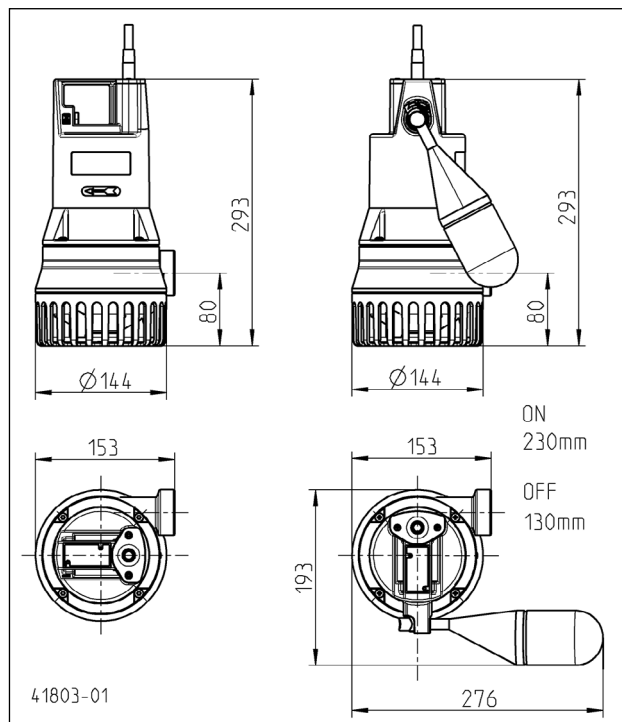
- Foot strainer obstructed (please refer to the section entitled Maintenance)
- Pressure pipe obstructed = clean
- Rotor worn out = repair to be carried out by the manufacturer only

Technical Data

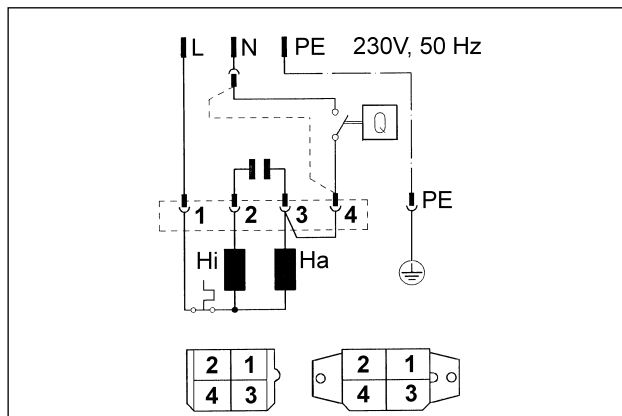
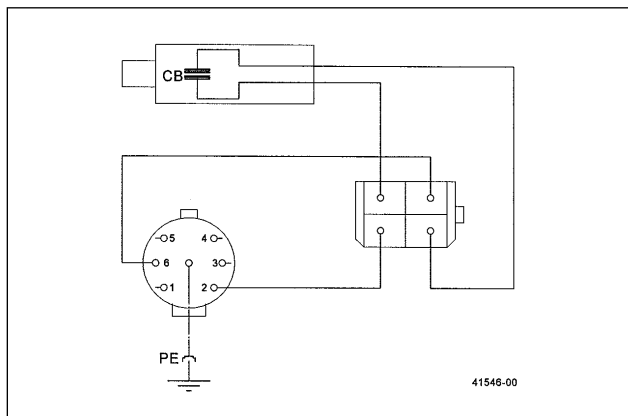
	[kg]	4,4
⊙		1¼"
⊙	[mm]	15
P1	[W]	300
P2	[W]	200
U	[V]	1/N/PE ~230
f	[Hz]	50
I	[A]	1,3
n	[min ⁻¹]	2720

Leistung - Performance - Puissances - Wydajności i moce

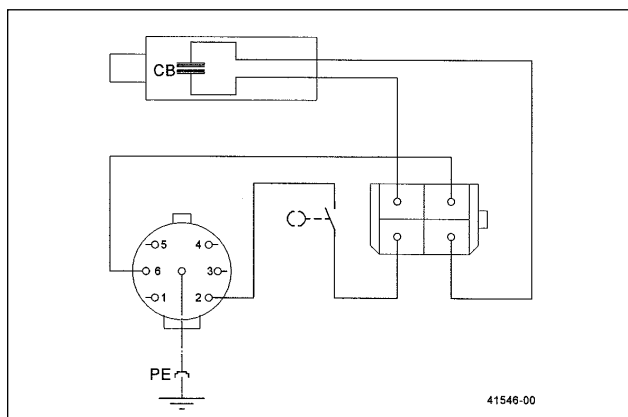
H [m]	1	2	3	4	5
Q [m ³ /h]	8	7	6	4	2



Oxylift 2



Oxylift 2 S



EU-Konformitätserklärung
EU-Prohlášení o shodě
EU-Overensstemmelseserklæring
EU-Declaration of Conformity
EU-Vaatumustenmukaisuusvakuutus

EU-Déclaration de Conformité
EU-Megfelelőségi nyilatkozat
EU-Dichiarazione di conformità
EU-Conformiteitsverklaring
EU-Deklaracja zgodności

EU-Declaratie de conformitate
EU-Vyhlasenie o zhode
EU-Försäkran om överensstämmelse

DE - Richtlinien - Harmonisierte Normen
 CS - Směrnice - Harmonizované normy
 DA - Direktiv - Harmoniseret standard
 EN - Directives - Harmonised standards
 FI - Direktiivi - Yhdenmukaistettu standardi

FR - Directives - Normes harmonisées
 HU - Irányelve - Harmonizált szabványok
 IT - Direttive - Norme armonizzate
 NL - Richtlijnen - Geharmoniseerde normen
 PL - Dyrektywy - Normy zharmonizowane

RO - Directivă - Norme coroborate
 SK - Smernice - Harmonizované normy
 SV - Direktiv - Harmoniserade normer

- **2006/42/EG (MD)** **EN ISO 12100:2010, EN 60335-1:2012/A11:2014**
- **2011/65/EU (RoHS)**
- **2014/30/EU (EMC)** **EN 55014-1:2006/A2:2011, EN 55014-2:1997/A2:2008,**
EN 60034-1:2010, EN 61000-3-2:2014, EN 61000-3-3:2013

JUNG PUMPEN GmbH - Industriestr. 4-6 - 33803 Steinhagen - Germany - www.jung-pumpen.de

DE - Wir erklären in alleiniger Verantwortung, dass das Produkt den aufgeführten Richtlinien entspricht.
 CS - Prohlašujeme na svou výlučnou odpovědnost, že výrobek odpovídá jmenovaným směrnici.
 DA - Vi erklærer under ansvar at produktet i overensstemmelse med de retningslinjer
 EN - We hereby declare, under our sole responsibility, that the product is in accordance with the specified Directives.
 FI - Me vakuutamme omalla vastuullamme, että tuote täyttää ohjeita.
 FR - Nous déclarons sous notre propre responsabilité que le produit répond aux directives.
 HU - Kizárólagos felelősségünk tudatában kijelentjük, hogy ez a termék megfelel az Európai Unió fentnevezett irányelveinek.
 IT - Noi dichiariamo sotto la nostra esclusiva responsabilità che il prodotto è conforme alle direttive citate
 NL - Wij verklaren geheel onder eigen verantwoordelijkheid dat het product voldoet aan de gestelde richtlijnen.
 PL - Z pełną odpowiedzialnością oświadczamy, że produkt odpowiada postanowieniom wymienionych dyrektyw.
 RO - Declaram pe proprie răspundere că produsul corespunde normelor prevăzute de directivele mai sus menționate.
 SK - Na výlučnú zodpovednosť vyhlasujeme, že výrobok spĺňa požiadavky uvedených smerníc.
 SV - Vi försäkrar att produkten på vårt ansvar är utförd enligt gällande riktlinjer.

Oxyperl 3 (JP44430)	Oxylift 2 (JP09469)	Oxylift 2 S (JP09470)
Oxyperl 3 (JP44431)	Oxylift 2 (JP09471)	Oxylift 2 S (JP09472)
Oxyperl 3 (JP44432)	Oxylift 2 (JP09488)	Oxylift 2 S (JP09489)

Oxyperl 5 (JP45228)

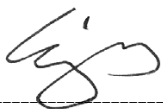
DE - Weitere normative Dokumente CS - Jinými normativními dokumenty DA - Andre normative dokumenter EN - Other normative documents FI - Muiden normien FR - Autres documents normatifs HU - Egyéb szabályozó dokumentumokban leírtaknak IT - Altri documenti normativi NL - Verdere normative documenten PL - Innymi dokumentami normatywnymi RO - Alte acte normative SK - Iným záväzným dokumentom SV - Vidare normerande dokument:


EN 60335-2-41:2003/A2:2010

DE - Bevollmächtigter für technische Dokumentation CS - Oprávněná osoba pro technickou dokumentaci DA - Autoriseret person for teknisk dokumentation EN - Authorized person for technical documentation FI - Valtuutettu henkilö tekninen dokumentaatio FR - Personne autorisée à la documentation technique HU - Hivatalos személyi műszaki dokumentáció IT - Persona abilitata per la documentazione tecnica NL - Bevoegd persoon voor technische documentatie PL - Pełnomocnik ds. dokumentacji technicznej RO - Persoană autorizată pentru documentație tehnică SK - Oprávněná osoba pre technickú dokumentáciu SV - Auktoriserad person för teknisk dokumentation:

JUNG PUMPEN - Stefan Sirges - Industriestr. 4-6 - 33803 Steinhagen

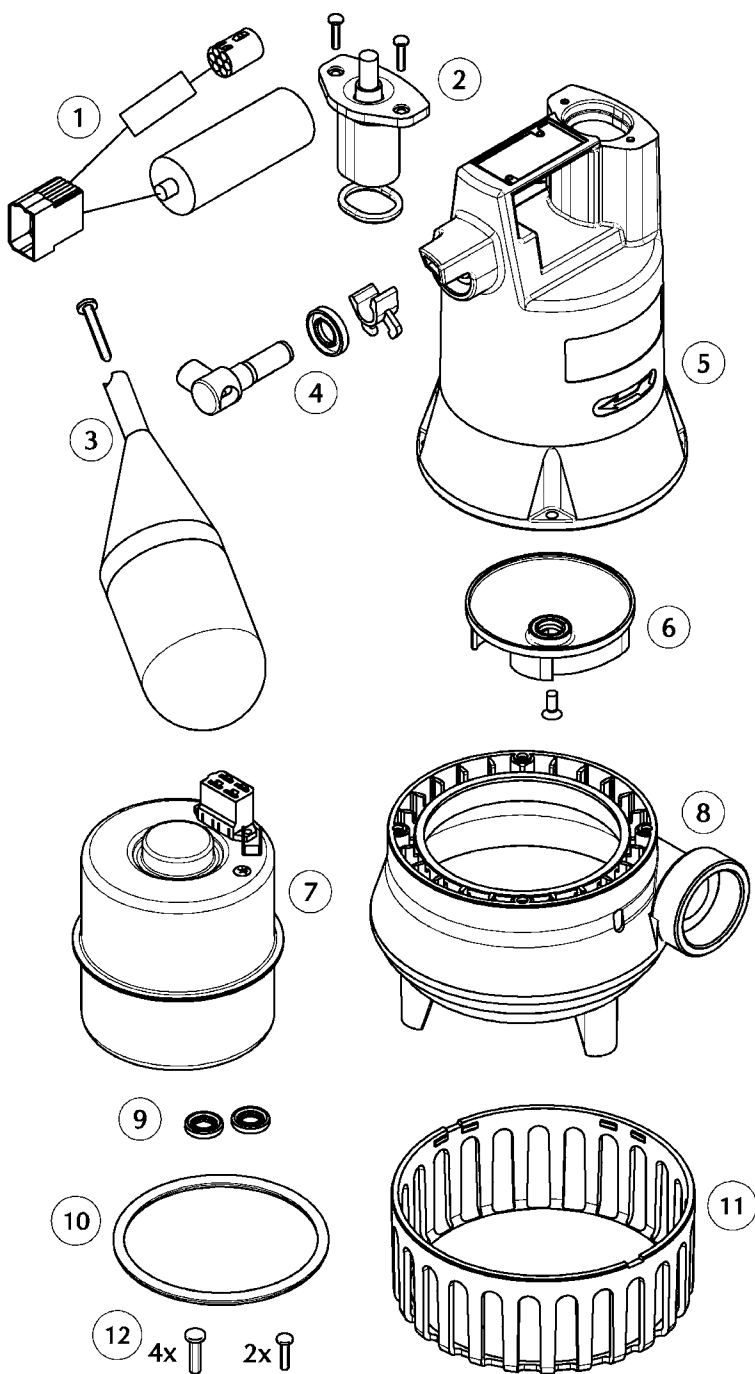
Steinhagen, 10-09-2018


 Stefan Sirges, General Manager


 i.V. Rüdiger Rokohl, Sales Manager

OXYLIFT 2 • OXYLIFT 2S

Spare parts



① Kabelbaum	Cable gland	
Oxylift 2		JP46921
Oxylift 2S		JP46922
② Leitung	Cable	
1,5 m		JP46925
4 m		JP46926
10 m		JP45084
20 m		JP46927
③ Schwimmer	Float	JP42771
④ Schaltwelle	Shift shaft	JP42770
⑤ Haube	Top cover	
Oxylift 2		JP46928
Oxylift 2S		JP46929
⑥ Laufrad	Impeller	JP46923
⑦ Motor	Motor	JP46924
⑧ Pumpengehäuse	Pump casing	JP46934
⑨ Motordichtungen	Motor seals	JP46385
⑩ Dichtungssatz	Seal set	JP46354
⑪ Siebfuß	Strainer base	JP46360
⑫ Schraubensatz	Screw set	JP42773



**PUMP TECHNICAL
SERVICES LIMITED**



THE SUBMERSIBLE PUMP SPECIALISTS

✉ service@pts-jung.co.uk

✉ sales@pts-jung.co.uk

Pump House
Unit 12
Bilton Road Industrial Estate
Erith, Kent, DA8 2AN

☎ 01322 357 080

🌐 pts-jung.co.uk