



**PUMP TECHNICAL  
SERVICES LIMITED**



**THE SUBMERSIBLE PUMP SPECIALISTS**

MANUFACTURING | SALES | PROJECT DESIGN | INSTALLATION | MAINTENANCE AND REPAIRS


# UV3


UV3

UV3 S

UV3 SF

EN Instruction Manual

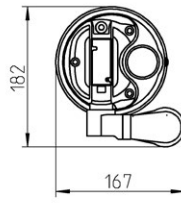
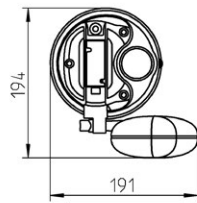
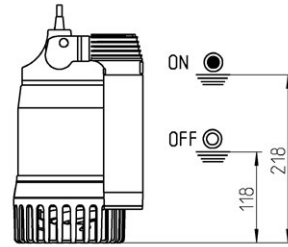
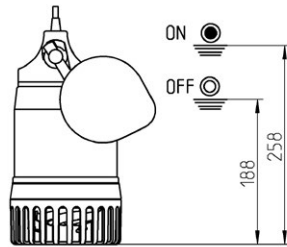
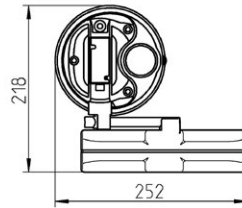
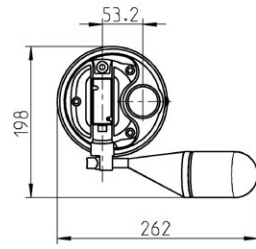
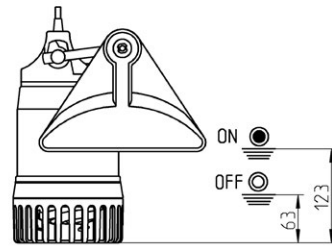
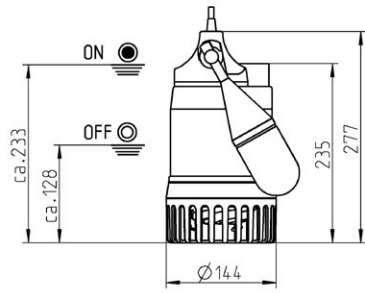
 [service@pts-jung.co.uk](mailto:service@pts-jung.co.uk)

 [sales@pts-jung.co.uk](mailto:sales@pts-jung.co.uk)

Pump House  
Unit 12  
Bilton Road Industrial Estate  
Erith, Kent, DA8 2AN

 01322 357 080

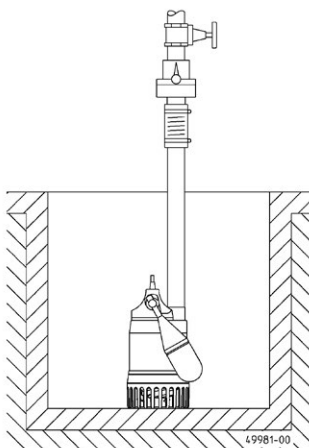
 [pts-jung.co.uk](http://pts-jung.co.uk)



49826-00

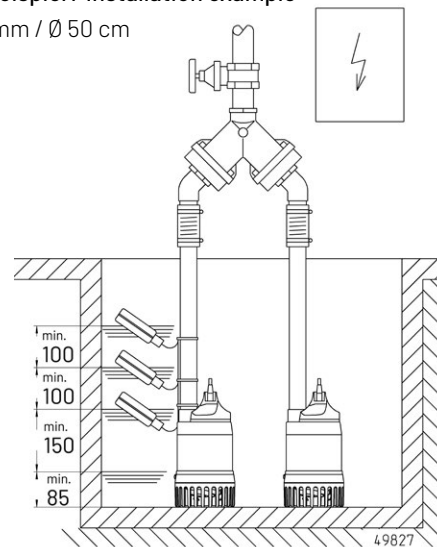
**Einbaubeispiel / Installation example**

30 x 30 mm / Ø 35 cm



**Einbaubeispiel / Installation example**

50 x 50 mm / Ø 50 cm



You have purchased a product made by Pentair Jung Pumpen and with it, therefore, also excellent quality and service. Secure this service by carrying out the installation works in accordance with the instructions, so that our product can perform its task to your complete satisfaction. Please remember that damage caused by incorrect installation or handling will adversely affect the guarantee.

This appliance can be used by children aged 8 years or over and by persons with limited physical, sensory or intellectual capabilities, or with limited experience and knowledge, provided that they are supervised or have been instructed in the safe use of the appliance and are aware of the dangers involved. Children must not be allowed to play with the appliance. Cleaning and user maintenance must not be carried out by children unless they are supervised.

**Damage prevention in case of failure**

Like any other electrical device, this product may fail due to a lack of mains voltage or a technical defect.

If damage (including consequential damage) can occur as a result of product failure, the following precautions can be taken at your discretion:

- Installation of a water level dependent (under circumstances, mains-independent) alarm system, so that the alarm can be heard before damage occurs.
- Inspection of the collecting tank/chamber for tightness up to the top edge before – or at the latest, during – installation or operation of the product.
- Installation of backflow protection for drainage units that can be damaged by wastewater leakage upon product failure.
- Installation of a further product that can compensate in case of failure of the other product (e.g. duplex unit).
- Installation of an emergency power generator.

As these precautions serve to prevent or minimise consequential damage upon product failure, they are to be strictly observed as the manufacturer's guideline – in line with the standard DIN EN specifications as state of the art – when using the product (Higher Regional Court Frankfurt/Main, Ref.: 2 U 205/11, 06/15/2012).

## SAFETY INSTRUCTIONS

This instruction manual contains essential information that must be observed during installation, operation and servicing. It is therefore important that the installer and the responsible technician/operator read this instruction manual before the equipment is installed and put into operation. The manual must always be available at the location where the pump or the plant is installed.

Failure to observe the safety instructions can lead to the loss of all indemnity.

In this instruction manual, safety information is distinctly labelled with particular symbols. Disregarding this information can be dangerous.



General danger to people



Warning of electrical voltage

**NOTICE!** Danger to equipment and operation

**Qualification and training of personnel**

All personnel involved with the operation, servicing, inspection and installation of the equipment must be suitably qualified for this work and must have studied the instruction manual in depth to ensure that they are sufficiently conversant with its contents. The supervision, competence and areas of responsibility of the personnel must be precisely regulated by the operator. If the personnel do not have the necessary skills, they must be instructed and trained accordingly.

**Safety-conscious working**

The safety instructions in this instruction manual, the existing national regulations regarding accident prevention, and any internal working, operating and safety regulations must be adhered to.

**Safety instructions for the operator/user**

All legal regulations, local directives and safety regulations must be adhered to.

The possibility of danger due to electrical energy must be prevented.

Leakages of dangerous (e.g. explosive, toxic, hot) substances must be discharged such that no danger to people or the environment occurs. Legal regulations must be observed.

**Safety instructions for installation, inspection and maintenance works**

As a basic principle, works may only be carried out to the equipment when it is shut down. Pumps or plant that convey harmful substances must be decontaminated.

All safety and protection components must be re-fitted and/or made operational immediately after the works have been completed. Their effectiveness must be checked before restarting, taking into account the current regulations and stipulations.

**Unauthorised modifications, manufacture of spare parts**

The equipment may only be modified or altered in agreement with the manufacturer. The use of original spare parts and accessories approved by the manufacturer is important for safety reasons. The use of other parts can result in liability for consequential damage being rescinded.

**Unauthorised operating methods**

The operational safety of the supplied equipment is only guaranteed if the equipment is used for its intended purpose. The limiting values given in the "Technical Data" section may not be exceeded under any circumstances.

**Instructions regarding accident prevention**

Before commencing servicing or maintenance works, cordon off the working area and check that the lifting gear is in perfect condition.

Never work alone. Always wear a hard hat, safety glasses and safety shoes and, if necessary, a suitable safety belt.

Before carrying out welding works or using electrical devices, check to ensure there is no danger of explosion.

People working in wastewater systems must be vaccinated against the pathogens that may be found there. For the sake of your health, be sure to pay meticulous attention to cleanliness wherever you are working.

Make sure that there are no toxic gases in the working area.

Observe the health and safety at work regulations and make sure that a first-aid kit is to hand.

In some cases, the pump and the pumping medium may be hot and could cause burns.

For installations in areas subject to explosion hazards, special regulations apply!

## APPLICATION

### **WARNING!**

The pump must only be connected to sockets that have been installed properly in accordance with the regulations and are protected with at least 10 A (slow) and RCD-safety switches (30mA).

### **DANGER!**

The pump must never be used when a person is in the water.

Submersible pumps from the UV3 series are suitable for pumping domestic waste water without stones. This includes also water from household dishwashers and household washing machines.

**NOTICE!** In outdoor applications, only pumps with at least a 10-metre mains cable must be used.

When using the pumps, the relevant national laws, regulations and stipulations must be adhered to, for example:

- Domestic contaminated and waste water (e.g. EN 12056 in Europe)
- Installation of low voltage systems (e.g. VDE 0100 in Germany)

For non-standard utilization conditions, further regulations must be observed (e.g. VDE 0100 in Germany, part 701: bathrooms and shower rooms; part 702: swimming pools and fountains and part 737: outdoor use).

### Temperatures

The pumped medium must have a temperature of max 35 °C. For a short time 70 °C are permissible (S2: 10 min, S3: 40%).

The submersible pump is frost-resistant down to -20 °C when stored in dry conditions. When installed, however, it must not be allowed to freeze in the water.

### Transport

The pump must always be lifted by the handle and never by the power supply cable! The pump should only be lowered into deeper chambers or pits using a rope or chain.

## ELECTRICAL CONNECTION

**NOTICE!** Only qualified electricians may carry out electrical works to the pump or the controls.

### **WARNING!**

Before carrying out any works: disconnect the pump and the controls from the mains and take steps to ensure that no one else can reconnect them to the power supply.

The relevant standards (such as EN standards), country-specific regulations (such as VDE in Germany), and the regulations of the local power supply companies must be observed.

**NOTICE!** Never put the mains plug or a free lead end in water! If water gets into the plug, this can cause malfunctions and da-

mage.

Observe the operating voltage (see the type plate)!

The pump is provided with a winding thermostat. In case of unacceptably high temperatures it switches off the pump to protect it against possible damage. Unacceptably high temperatures may result e.g. from dry running or mechanical or electrical overload.

### **CAUTION!**

The pump is switched on again automatically after cooling down - risk of injury!

For this reason, always disconnect the device from the mains before remedying the fault! In order to do this, unplug from the mains supply or remove the pre-fuses of the pump controls!

## INSTALLATION

The pump must be installed as shown in the examples. For installations in accordance with EN 12056-4, the pressure pipe must be laid in a loop above the local backflow level and protected with a backflow prevention valve in accordance with EN 12050-4.

A correspondingly larger diameter pipe should be used for longer pressure pipelines to avoid pipe friction losses.

With any pump that has no automatic switching, the switch-on and switch-off heights can be set variably with a separate level control. Our ready to connect level controls can be installed without specific electrotechnical skills.

**NOTICE!** The floats of the level controller and alarm system are installed so that they are freely movable but not under the inlet. Please observe the minimum distances. The controls may only be installed in a dry and well ventilated room!



The pump housing is automatically vented. If this is not desired, the ventilation opening can be closed, e.g. for mobile operation.

**NOTICE!** If the pump is malfunctioning, part of the contents of the oil reservoir could escape into the pumping medium.

### Flushing device

The pump can keep the intake section at the bottom of the chamber clear of deposits to a large extent if you carry out a small modification: Remove the strainer basket, unscrew the three red closing caps and replace the strainer basket. This reduces the performance of the pump only insignificantly.



### Low level pumping

Flooded surfaces can be drained down to a residual water level of a few mm without using any special accessories. To do so, the foot strainer must be levered off with a screwdriver. In the case of pumps with an attached control, the float switch must be locked in the ON position. It is not possible therefore in low level pumping to operate the pump in switching mode.

To make the pump operate, the drainage hose must be emptied before each pumping run and there must be a minimum water level of 40 mm available.

#### CAUTION!

For safety reasons, mobile operation is only allowed with a foot strainer.

If a hose is used as a pressure line, care must be taken to ensure that for every pumping operation the hose is completely empty before the pump is submersed. Any residual liquid would obstruct the ventilation of the pump housing and therefore also hinder the pumping operation. For the same reason, the pump would not operate if it was switched on before being submersed.

## CLEANING

#### WARNING!

Before carrying out any works: disconnect the pump and the controls from the mains and take steps to ensure that no one else can reconnect them to the power supply.

#### WARNING!

Check the mains cable for signs of mechanical and chemical damage. Damaged or kinked cables must be replaced by the manufacturer.

**NOTICE!** If the water contains high levels of iron or lime, insufficient cleaning can result in irreparable damage to the seal and thus also to the pump motor in the long term.

Consequently, the pump must be cleaned at regular intervals according to the hardness of the water.

**Tightening torque  $M_A$**  for A2 screw materials  
 $M_5 M_A = 5 \text{ Nm}$ , Amtec  $M_A = 2,5 \text{ Nm}$

## QUICK TIPS FOR REMEDYING FAULTS

### Pump does not work

- Check mains current (do not use a pin gauge)
- Fuse faulty = may be too weak (please refer to Electrical Connection)
- Mains supply cable damaged = repair to be carried out by manufacturer only

### Pump runs but does not pump


- Empty the pressure pipe or hose to allow the non-return valve to open and the air to escape from the pump housing. Remove the vent plug.

### Impeller blocked

- Solids and fibrous matter have become lodged in the pump housing = clean

### Decreased pumping performance

- Foot strainer obstructed = clean
- Pressure pipe obstructed = clean
- Rotor worn out = repair to be carried out by the manufacturer

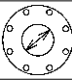
 0197
JUNG PUMPEN GmbH - Industriestr. 4-6 33803 Steinhagen, Germany 20 401.17-22.02
<b>EN 12050-2:2001; 2015</b> <b>Lifting plant for faecal-free wastewater DN 32</b>
UV3 (JP50248) UV3 S (JP50249) UV3 S (JP50312) UV3 SF (JP50313)
Collecting and automatically lifting faecal-free waste water above the backflow level in buildings and sites

REACTION TO FIRE	NPD
WATERTIGHTNESS	Pass
EFFECTIVENESS (LIFTING EFFECT)	
- Pumping of solids	Pass
- Pipe connections	Pass
- Ventilation	NPD
- Minimum flow velocity	Pass
- Minimum free passage of the plant	Pass
- Minimum useful volume	NPD
MECHANICAL RESISTANCE	
- Load bearing capacity and structural stability of collection tank for use	NPD
- Structural stability of collection tank for use inside buildings	NPD
NOISE LEVEL	70 dB(A)
DURABILITY	
- of structural stability	NPD
- of lifting effectiveness	Pass
- of mechanical resistance	NPD
DANGEROUS SUBSTANCES	NPD

DE - Technische Daten  
 NL - Technische Gegevens  
 CZ - Technické Údaje

EN - Technical Data  
 IT - Dati Tecnici  
 HU - Műszaki Adatok

FR - Caractéristiques Techniques  
 PL - Dane Techniczne  
 RO - Date Tehnice

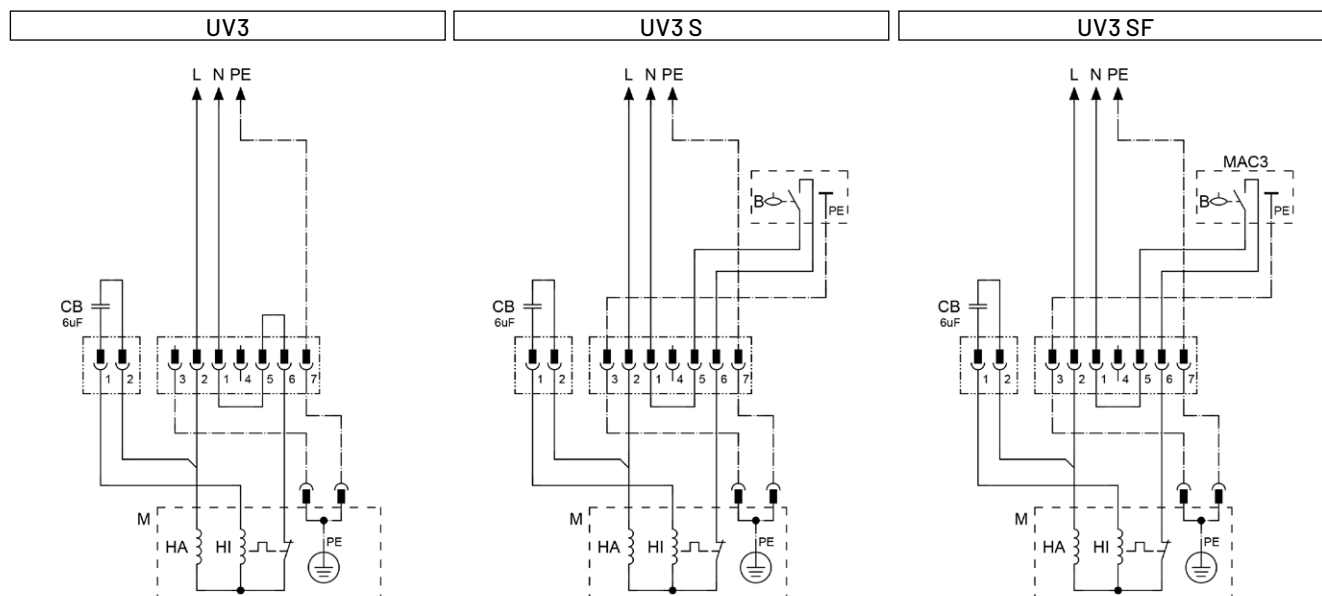
	UV3, 10m	UV3 S, 4m	UV3 S, 10m	UV3 SF, 10m
[kg]	4,1	4,2	4,8	4,8
 DN	32	32	32	32
[mm]	10	10	10	10
S1 35 °C				
S2 70 °C	10 min	10 min	10 min	10 min
S3 70 °C	40%	40%	40%	40%
P1 [W]	340	340	340	340
P2 [W]	230	230	230	230
U [V]	1/N/PE ~230	1/N/PE ~230	1/N/PE ~230	1/N/PE ~230
f [Hz]	50	50	50	50
I [A]	1,5	1,5	1,5	1,5

DE - Leistungen  
 NL - Capaciteit  
 CZ - Výkony

EN - Performance  
 IT - Prestazione  
 HU - Teljesítmény

FR - Puissances  
 PL - Wydajności i moce  
 RO - Capacități

H [m]	1	2	3	4	5	6	
UV3	7	6,4	5,9	5,2	4,1	2,4	<b>Q [m³/h]</b>



EU-Konformitätserklärung  
EU-Prohlášení o shodě  
EU-Overensstemmelseserklæring  
EU-Declaration of Conformity  
EU-Vaatumustenmukaisuusvakuutus

EU-Déclaration de Conformité  
EU-Megfelelőségi nyilatkozat  
EU-Dichiarazione di conformità  
EU-Conformiteitsverklaring  
EU-Deklaracja zgodności

EU-Declaração de Conformidade  
EU-Declarație de conformitate  
EU-Vyhlášení o zhode  
EU-Försäkran om överensstämmelse

DE - Richtlinien - Harmonisierte Normen  
CS - Směrnice - Harmonizované normy  
DA - Direktiv - Harmoniseret standard  
EN - Directives - Harmonised standards  
FI - Direktiivi - Yhdenmukaistettu standardi

FR - Directives - Normes harmonisées  
HU - Irányelve - Harmonizált szabványok  
IT - Direttive - Norme armonizzate  
NL - Richtlijnen - Geharmoniseerde normen  
PL - Dyrektywy - Normy zharmonizowane

PT - Directiva - Normas harmonizadas  
RO - Directivă - Norme coroborate  
SK - Smernice - Harmonizované normy  
SV - Direktiv - Harmoniserade normer

- 2006/42/EG (MD) EN 809:1998/AC:2010, EN ISO 12100:2010, EN 60335-1:2012/A13:2017
- 2011/65/EU (RoHS)
- 2014/30/EU (EMC) EN55014-1:2017/A11:2020, EN 55014-2:1997/A2:2008, 60034-1AC:2010  
EN 61000-3-2:2014, EN 61000-3-3:2013

JUNG PUMPEN GmbH - Industriestr. 4-6 - 33803 Steinhagen - Germany - www.jung-pumpen.de

DE - Wir erklären in alleiniger Verantwortung, dass das Produkt den aufgeführten Richtlinien entspricht.  
CS - Prohlašujeme na svou výlučnou odpovědnost, že výrobek odpovídá jmenovaným směrnici.  
DA - Vi erklærer under ansvar at produktet i overensstemmelse med de retningslinjer  
EN - We hereby declare, under our sole responsibility, that the product is in accordance with the specified Directives.  
FI - Me vakuutamme omalla vastuullamme, että tuote täyttää ohjeita.  
FR - Nous déclarons sous notre propre responsabilité que le produit répond aux directives.  
HU - Kizárólagos felelősségünk tudatában kijelentjük, hogy ez a termék megfelel az Európai Unió fentnevezett irányelveinek.  
IT - Noi dichiariamo sotto la nostra esclusiva responsabilità che il prodotto è conforme alle direttive citate  
NL - Wij verklaren geheel onder eigen verantwoordelijkheid dat het product voldoet aan de gestelde richtlijnen.  
PL - Z pełną odpowiedzialnością oświadczamy, że produkt odpowiada postanowieniom wymienionych dyrektyw.  
PT - Declaramos, sob nossa exclusiva responsabilidade, que o produto está em conformidade com as Diretivas especificadas.  
RO - Declaram pe proprie răspundere că produsul corespunde normelor prevăzute de directivele mai sus menționate.  
SK - Na výlučnú zodpovednosť vyhlasujeme, že výrobok spĺňa požiadavky uvedených smerníc.  
SV - Vi försäkrar att produkten på vårt ansvar är utförd enligt gällande riktlinjer.

<b>U3 K</b> (JP50002/3)	<b>UV3</b> (JP50248)	<b>U6 K E</b> (JP00226/2)	<b>UB 62 ES</b> (JP09818/3)	<b>J 67 ET</b> (JP09153/1)
<b>U3 KS</b> (JP50000/3)	<b>UV3 S</b> (JP50249)	<b>U6 K D</b> (JP00228/3)	<b>UB 62 DS</b> (JP09819/2)	
<b>U3 KS</b> (JP50001/3)	<b>UV3 S</b> (JP50312)	<b>U6 K ES</b> (JP00227/2)	<b>UB 102 ES</b> (JP09283/0)	
<b>U3 K SPEZ.</b> (JP50007/3)	<b>UV3 SF</b> (JP50313)	<b>U6 K ES</b> (JP09260/2)	<b>UB 102 DS</b> (JP00534/8)	
<b>U3 KS SPEZ.</b> (JP50005/3)		<b>U6 K DS</b> (JP00229/3)	<b>UB 152 ES</b> (JP09439/0)	
<b>U3 KS SPEZ.</b> (JP50006/3)	<b>U5 K</b> (JP09386)	<b>U6 K DS</b> (JP09261/3)	<b>UB 152 DS</b> (JP09440/0)	
	<b>U5 KS</b> (JP09387)		<b>UB 251 DS</b> (JP09298/1)	
	<b>U5 KS</b> (JP09417)			


DE-Weitere normative Dokumente CS-Jinými normativními dokumenty DA-Andre normative dokumenter EN-Other normative documents FI-Muiden normien FR-Autres documents normatifs HU-Egyéb szabályozó dokumentumokban leírtaknak IT-Altri documenti normativi NL-Verdere normative documenten PL-Innymi dokumentami normatywnymi PT-Outros documentos normativos RO-Alte acte normative SK-Iným záväzným dokumentom SV-Vidare normerande dokument:

- EN 60335-2-41:2003/A2:2010 EN 62233:2008/AC:2008
- VDE GS 40054271 (U3/3, UV3) EMC-VDE 92272 (U6 E/D/1)
- EMC-VDE 40052857 (U3/3, UV3) VDE GS 40018339 (US UB 62 105 D)
- VDE GS 40020521 (U3/2, U5) EMC-VDE 138689 (US UB 62\_105 D)
- EMC-VDE 40020827 (U5) VDE 40035932 (US UB 62\_105 E)
- VDE GS 40020499 (U6K D/3) EMC-VDE 129830 (US UB 62 105 E)
- VDE GS 40020502 (U6K E/2)

DE-Bevollmächtigter für technische Dokumentation CS-Oprávněná osoba pro technickou dokumentaci DA-utoriseret person for teknisk dokumentation EN-Authorized person for technical documentation FI-Valtuutettu henkilö tekninen dokumentaatio FR-Personne autorisée à la documentation technique HU-Hivatalos személy műszaki dokumentáció IT-Persona abilitata per la documentazione tecnica NL-Bevoegd persoon voor technische documentatie PL-Pełnomocnik ds. dokumentacji technicznej PT-Pessoa autorizada para documentação técnica RO-Persoană autorizată pentru documentație tehnică SK-Oprávněná osoba pre technickú dokumentáciu SV-Auktoriserad person för teknisk dokumentation:

JUNG PUMPEN - Stefan Sirges - Industriestr. 4-6 - 33803 Steinhagen

Steinhagen, 01-02-2022

  
Stefan Sirges, General Manager

  
i.V. Pascal Kölkebeck, Sales Manager

Ersatzteile - Spare parts - Pièces de rechange - Reserveonderdelen - Parti di ricambio - Reservedele - Reservdelar  
 Varaosat - Części zamienne - Náhradní díly - Alkatrészek - Piese de schimb - Запасные части - 备件



①	Schaltwelle	Shift shaft	<b>JP42770</b>
②	Anschlussinheit	Top cover	
	UV3, 10 m		<b>JP50538</b>
	UV3 S, 4m		<b>JP50536</b>
	UV3 S, 10 m		<b>JP50537</b>
	UV3 SF, 10 m		<b>JP50539</b>
③	Schwimmer	Float	<b>JP50563</b>
④	Schwimmer	Float	<b>JP42771</b>
⑤	Mikroschalter	Microswitch	<b>JP50532</b>
⑥	Kondensator	Capacitor	<b>JP50535</b>
⑦	Pumpenkörper	Pump body	<b>JP50548</b>
⑧	Lauftrad	Impeller	<b>JP50550</b>
⑨	Motor	Motor	<b>JP50554</b>
⑩	Zwischenmantel	Intermediate cover	<b>JP50549</b>
⑪	Dichtungssatz	Seal set	<b>JP50560</b>
⑫	Spiralgehäuse	Volute casing	<b>JP50556</b>
⑬	Spülstopfen	Flushing plugs	<b>JP50561</b>
⑭	Motorabdichtung	Motor sealing	<b>JP46385</b>
⑮	Schraubensatz	Screw set	<b>JP50558</b>
⑯	Siebfuß	Strainer base	<b>JP46360</b>





**PUMP TECHNICAL  
SERVICES LIMITED**

**J JUNG  
PUMPEN**

**THE SUBMERSIBLE PUMP SPECIALISTS**

✉ [service@pts-jung.co.uk](mailto:service@pts-jung.co.uk)

✉ [sales@pts-jung.co.uk](mailto:sales@pts-jung.co.uk)

Pump House  
Unit 12  
Bilton Road Industrial Estate  
Erith, Kent, DA8 2AN

☎ 01322 357 080

🌐 [pts-jung.co.uk](http://pts-jung.co.uk)