

MULTIDRAIN UV3

SUBMERSIBLE DRAINAGE PUMPS

- High quality stainless steel design
- Especially suitable for mobile use
- 10 mm free passage
- Cooling jacket for motor housing
- Discharge branch vertical 1 1/4"
- Flushing device
- Self ventilation
- Moisture sealed cable inlet
- Fluid temperature 35 °C, temporarily 70 °C (10 min.)



DESCRIPTION

The Multidrain UV3 is a versatile submersible drainage pump made of stainless steel for portable and stationary use. It pumps rainwater, lightly submersible polluted water and domestic wastewater from e.g. household dishwashers or washing machines (also high temperature).

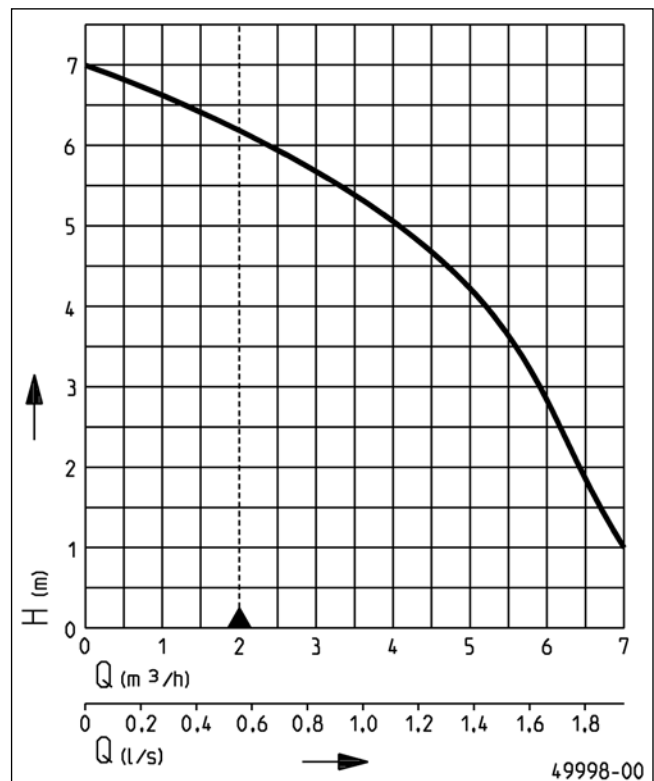
An easy-to-activate flushing device to reduce deposits in the pump sump ensures trouble-free operation and facilitates maintenance.

Motor jacket cooling ensures submerged operation without the risk of overheating. In case of dry running, the thermal motor protection switches off the pump before reaching a critical temperature. These protective measures, plus the swing-type check valve and a hose connection included in the scope of delivery, make the Multidrain UV3 a perfect pump for mobile applications.

In stationary use, the Multidrain UV3 S with automatic switch removes water from drainage shafts in cellars, washing basements or storage rooms and serves as a backflow protection. If the shaft or container should run dry temporarily, air cushions can escape through the ventilation opening. When the strainer base is removed, the pump removes the water down to a level of 5 mm.

If submersible pumps are used outdoors, only a pump with 10 m cable without extension cable may be used in accordance with VDE Regulation 0100. For construction sites and garden ponds, a H07-type cable must be used.

PERFORMANCE



Type	Delivery head H [m]	1	2	3	4	5	6
Multidrain UV3	Flow rate Q [m³/h]	7.0	6.4	5.9	5.2	4.1	2.6

Specifications can be changed without notice. Performance subject to ISO 9906 tolerances. The minimum flow velocity in the pressure piping must be 0.7 m/s according to EN 12056. This data is represented in the performance curve as a limit of application.



MULTIDRAIN UV3

SUBMERSIBLE DRAINAGE PUMPS

SCOPE OF SUPPLY

Pump ready to connect according EN 12050 with vertical discharge, 1 1/4" female connection elbow, cable and plug, swing-type check valve for mobile use, graded hose connection

1 1/4" - 38/32/25, float fixation, locking plug (UV3S/3SF) S model with automatic level float switch.

MECHANICAL DATA

Pump	Vertical single-stage	Run dry protection	Yes
Free passage	10 mm	Shaft	Stainless steel
Bearing	Ball bearings, grease-lubricated	Impeller	Vortex impeller, GFK
Seal on motor side	Rotary shaft seal	Motor housing	Stainless steel
Oil chamber	Yes	Pump housing	Stainless steel
Seal on medium side	2-fold rotary shaft seals	Submersible	Yes

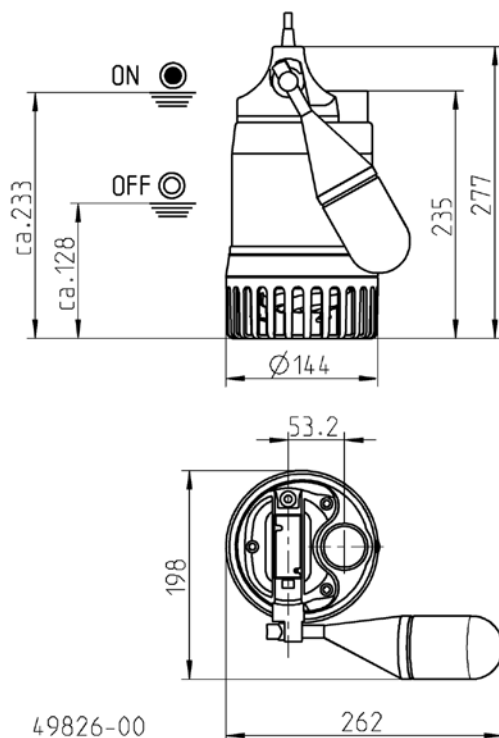
ELECTRICAL DATA

Pump voltage	1/N/PE~230 V	Insulation class	F
Motor rating P1	0.34 kW	Winding thermostat	Yes
Motor rating P2	0.23 kW	Motor protection	Integrated
Current	1.5 A	Plug	Safety
Type of enclosure	IP 68		

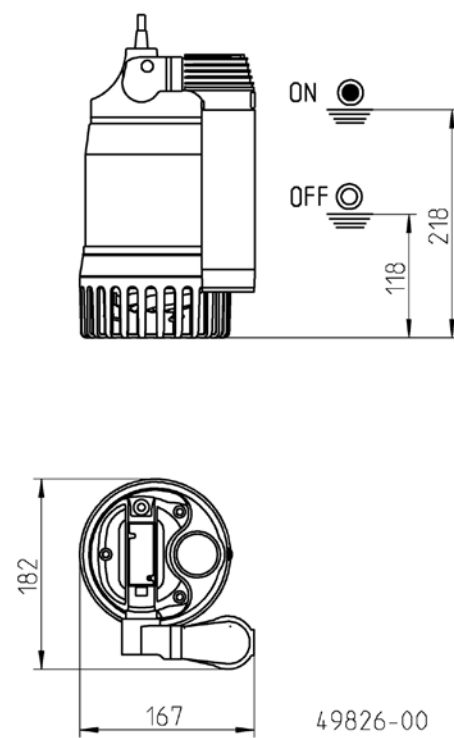
MULTIDRAIN UV3

Type	Code No.	Power line	Wires	Weight
Without level control				
Multidrain UV3, 10 m cable	JP50248	10m H05RN-F	3G0,75	5.3 kg
With built-in level control				
Multidrain UV3 S, 4 m cable	JP50249	4m H05RN-F	3G0,75	4.6 kg
Multidrain UV3 S, 10 m cable	JP50312	10m H07RN-F	3G1,0	5.5 kg
Multidrain UV3 SF, 10 m cable	JP50313	10m H07RN-F	3G1,0	5.5 kg

Dimensions and switching points UV3 S (mm)



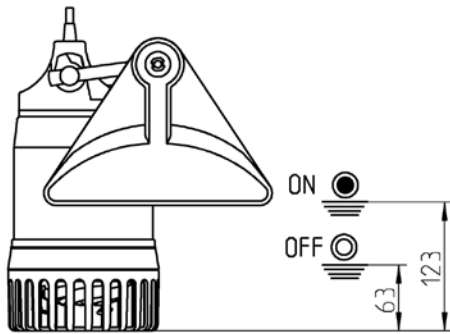
Dimensions and switching points special float UV3 SF (mm)



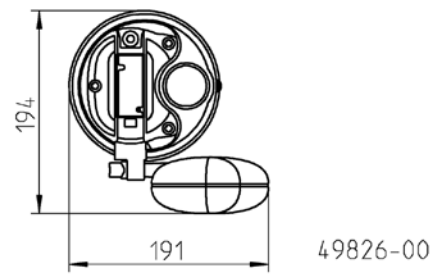
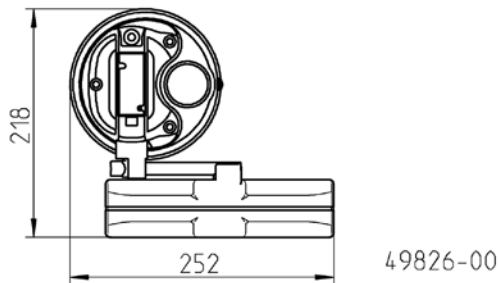
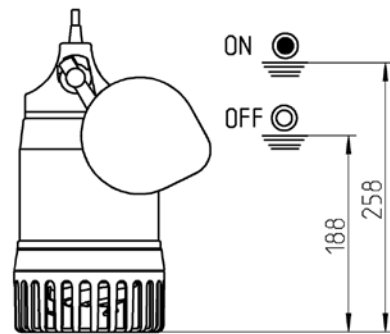
MULTIDRAIN UV3

SUBMERSIBLE DRAINAGE PUMPS

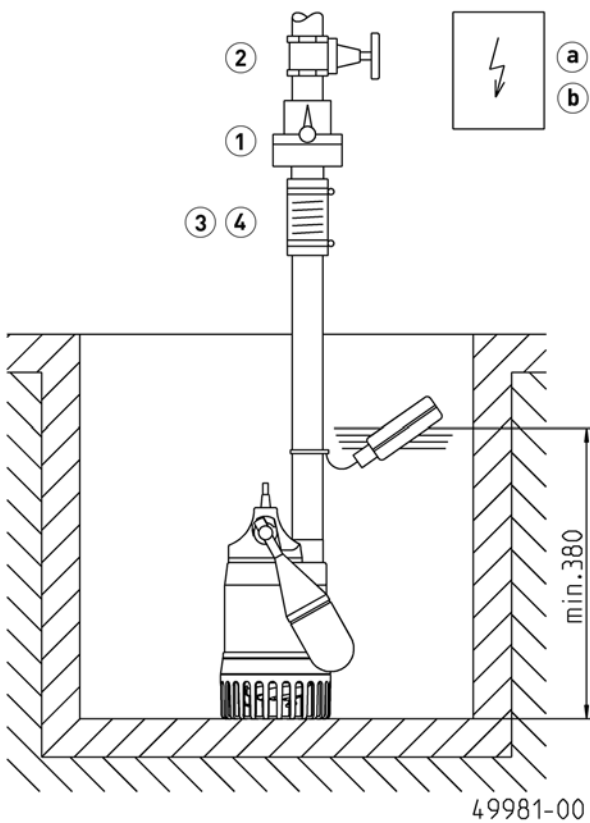
Dimensions and switching points special float UV3 S (mm)



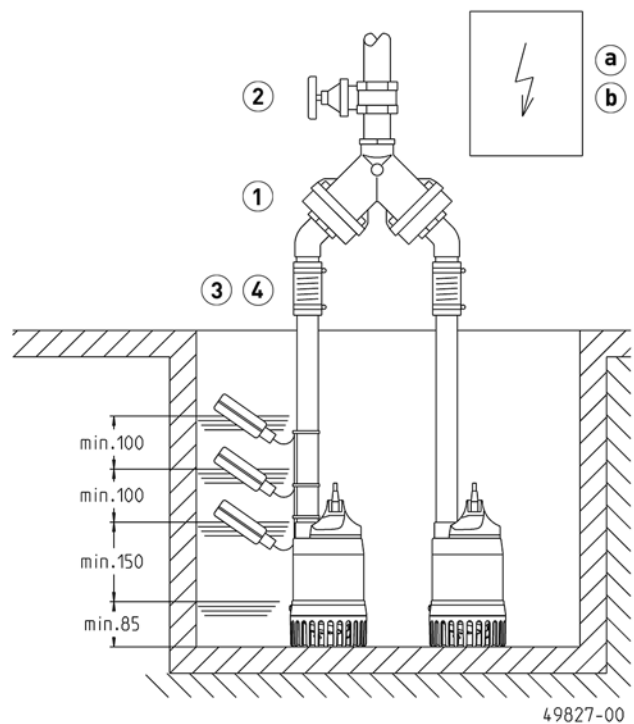
Dimensions and switching points special float UV3 S (mm)



Example of single pump installation



Example of duplex installation



49827-00

MULTIDRAIN UV3

SUBMERSIBLE DRAINAGE PUMPS

Single unit: sump area 30x30 cm

Duplex unit: sump min. 50x50 cm

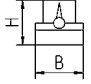
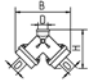
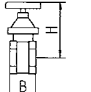
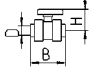
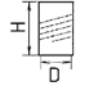


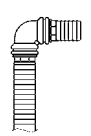
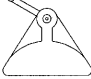

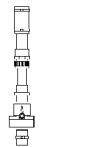
In case of installation beneath the backpressure level the pressure tube must be taken in a loop over the local backup level acc. to EN 12056. Besides, it must be secured with an EN

12050-4-proofed swing-type check valve. Additionally we recommend an alarm system.

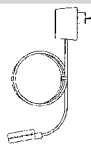
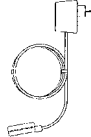
In accordance with EN 12056-4 section 5.1, it has a built-in automatic spare pump or a double attachment included, which ensures that sewage drainage is not interrupted.

Suspend control unit in a dry room

MECHANICAL ACCESSORY

				Code No.
	1 Swing-type check valve			
	R32 EN 12050-4	1/4" (DN 32), PN 4	90x90 (HxB)	JP09739
	DR 40 EN 12050-4	1/2" (DN 40), PN 4	200x280 (HxB)	JP09155
	2 Stop valve	1/4" (DN 32), PN 16	110x60 (HxB)	JP44785
		brass, 1/2" (DN 40), PN 16	125x60 (HxB)	JP44786
	Ball valve	1/4", PVC, for aggressive media	105x155 (HxB)	JP46111
	3 Elastic connection	1/4" (DN 32), PN 3	100x42 (HxD)	JP44773
	4 Hose band clamp	1/4"		JP44765
	5 Hose coupling			
	Hose coupling	1/4" (DN 32) brass, for transportable use		JP00327
	6 Hose set	1 1/4" (DN32), 15 m PVC hose c/w elbow		JP43550
	7 Special float	for lower switching points		JP44795
		for narrow chambers (mind. 30x30 od Ø30 cm)		JP40856
	8 Connection kit	DN 32, with telescopable pressure pipe 30-90 cm		JP44609



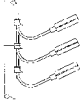


ELECTRICAL ACCESSORY

				Code No.
	a Alarm unit			
	AG3	subm. ball contact switch, mains dependent, potential-free contact, 3 m cable		JP44891
	AG10	subm. ball contact switch, mains dependent, potential-free contact, 9.5 m cable		JP44892
	b Washing machine stop			
	AW3	subm. ball contact switch, mains dependent, 3 m cable		JP44895

MULTIDRAIN UV3

SUBMERSIBLE DRAINAGE PUMPS

ELECTRICAL ACCESSORY

			Code No.
	c Level control Weight	to stabilize the subm. ball contact switch	JP44803
	d Control for duplex units Control unit HIGHLOGO 2-00 E	230 V	JP47996
	Control unit BD 00 E	230 V, for pumps U3-U6, US 62-105, UV3, UV 300, 08/2 ME	JP45735
	e Level control Subm. switch pack B	3 subm. ball contact switch with 9.5 m and fixing devices	JP16725
	Subm. switch pack BmG	3 subm. ball contact switch with 9.5 m and counterweight	JP16726
	f Rechargeable battery	9 V, for mains independent alarm	JP44850
	Smart Home	FTJP radio transmitter	JP47209