



**PUMP TECHNICAL
SERVICES LIMITED**




THE SUBMERSIBLE PUMP SPECIALISTS


MANUFACTURING | SALES | PROJECT DESIGN | INSTALLATION | MAINTENANCE AND REPAIRS

WCFIX PLUS

EN Instruction Manual



 service@pts-jung.co.uk

 sales@pts-jung.co.uk

Pump House
Unit 12
Bilton Road Industrial Estate
Erith, Kent, DA8 2AN

 01322 357 080

 pts-jung.co.uk

You have purchased a product made by Pentair Jung Pumpen and with it, therefore, also excellent quality and service. Secure this service by carrying out the installation works in accordance with the instructions, so that our product can perform its task to your complete satisfaction. Please remember that damage caused by incorrect installation or handling will adversely affect the guarantee.

This appliance can be used by children aged 8 years or over and by persons with limited physical, sensory or intellectual capabilities, or with limited experience and knowledge, provided that they are supervised or have been instructed in the safe use of the appliance and are aware of the dangers involved. Children must not be allowed to play with the appliance. Cleaning and user maintenance must not be carried out by children unless they are supervised.

If this unit is equipped with a mains connection line without a plug or other means of disconnection from the mains, a complete disconnecting device must be installed on site in the fixed electrical installation in accordance with the installation regulations. A main switch of overvoltage category III can be installed as a complete disconnecting device. If the mains connection cable of this unit is damaged, it must be replaced by the manufacturer or its customer service or a similarly qualified person in order to avoid hazards.

Damage prevention in case of failure

Like any other electrical device, this product may fail due to a lack of mains voltage or a technical defect.

If damage (including consequential damage) can occur as a result of product failure, the following precautions can be taken at your discretion:

- Installation of a water level dependent (under circumstances, mains-independent) alarm system, so that the alarm can be heard before damage occurs.
- Inspection of the collecting tank/chamber for tightness up to the top edge before – or at the latest, during – installation or operation of the product.
- Installation of backflow protection for drainage units that can be damaged by wastewater leakage upon product failure.
- Installation of a further product that can compensate in case of failure of the other product (e.g. duplex unit).
- Installation of an emergency power generator.

As these precautions serve to prevent or minimise consequential damage upon product failure, they are to be strictly observed as the manufacturer's guideline – in line with the standard DIN EN specifications as state of the art – when using the product (Higher Regional Court Frankfurt/Main, Ref.: 2 U 205/11, 06/15/2012).

SAFETY INSTRUCTIONS

This instruction manual contains essential information that must be observed during installation, operation and servicing. It is therefore important that the installer and the responsible technician/operator read this instruction manual before the equipment is installed and put into operation. The manual

must always be available at the location where the pump or the plant is installed.

Failure to observe the safety instructions can lead to the loss of all indemnity.

In this instruction manual, safety information is distinctly labelled with particular symbols. Disregarding this information can be dangerous.



General danger to people



Warning of electrical voltage

NOTICE! Danger to equipment and operation

Qualification and training of personnel

All personnel involved with the operation, servicing, inspection and installation of the equipment must be suitably qualified for this work and must have studied the instruction manual in depth to ensure that they are sufficiently conversant with its contents. The supervision, competence and areas of responsibility of the personnel must be precisely regulated by the operator. If the personnel do not have the necessary skills, they must be instructed and trained accordingly.

Safety-conscious working

The safety instructions in this instruction manual, the existing national regulations regarding accident prevention, and any internal working, operating and safety regulations must be adhered to.

Safety instructions for the operator/user

All legal regulations, local directives and safety regulations must be adhered to.

The possibility of danger due to electrical energy must be prevented.

Leakages of dangerous (e.g. explosive, toxic, hot) substances must be discharged such that no danger to people or the environment occurs. Legal regulations must be observed.

Safety instructions for installation, inspection and maintenance works

As a basic principle, works may only be carried out to the equipment when it is shut down. Pumps or plant that convey harmful substances must be decontaminated.

All safety and protection components must be re-fitted and/or made operational immediately after the works have been completed. Their effectiveness must be checked before restarting, taking into account the current regulations and stipulations.

Unauthorised modifications, manufacture of spare parts

The equipment may only be modified or altered in agreement with the manufacturer. The use of original spare parts and accessories approved by the manufacturer is important for safety reasons. The use of other parts can result in liability for consequential damage being rescinded.

Unauthorised operating methods

The operational safety of the supplied equipment is only guaranteed if the equipment is used for its intended purpose. The limiting values given in the "Technical Data" section may not be exceeded under any circumstances.

Instructions regarding accident prevention

Before commencing servicing or maintenance works, cordon off the working area and check that the lifting gear is in perfect condition.

Never work alone. Always wear a hard hat, safety glasses and

safety shoes and, if necessary, a suitable safety belt.

Before carrying out welding works or using electrical devices, check to ensure there is no danger of explosion.

People working in wastewater systems must be vaccinated against the pathogens that may be found there. For the sake of your health, be sure to pay meticulous attention to cleanliness wherever you are working.

Make sure that there are no toxic gases in the working area.

Observe the health and safety at work regulations and make sure that a first-aid kit is to hand.

In some cases, the pump and the pumping medium may be hot and could cause burns.

For installations in areas subject to explosion hazards, special regulations apply!

APPLICATION

The WCFIX PLUS is used to dispose of sewage from a directly connected toilet, even if this lies below the local backflow level.

- The number of people using the toilet should be small, and an additional toilet, installed above the backflow level, must be available for them to use.
- Only domestic wastewater, without any harmful substances as defined in EN 12056, may be disposed of.
- The unit operates in combination with a with cistern that supplies a flush volume of at least six litres. Proper operation cannot be guaranteed if the flush volume is less than six litres. This may be the case if an economy flush button is used, for example.
- A maximum of one wash basin, one shower and one bidet can be connected in addition to the toilet. All of the fixtures must be installed in the same room as the WCFIX PLUS. If no additional units are to be served, a flush volume of 9 litres is recommended for the toilet.
- In accordance with EN 12050-3, the connection of other appliances, such as washing machines, kitchen sinks, dish-washers or bathtubs, is not permitted.

It is ideal for use in renovation or conversion works in domestic situations where the installation of a toilet would be desirable. The unit pumps the sewage and toilet paper from the toilet into an existing foul water drainage pipe. When installed below the backflow level, the unit also provides backflow protection. This requires the installation of a vertical backflow prevention loop in the pressure pipe.

NOTICE!

- The unit must never be used for the disposal of hygiene articles, paper towels, moist toilet tissues, left-over food, solvents, chemicals, grease etc.
- The flow velocity in the pressure pipe must be at least 0.7 m/s.
- The operating limit with regard to manometric head is 0.6 bar (6.0 m head).

Permissible temperature of the pumped fluid: 35°C, operating mode: intermittent operation S3, 30% (3 minutes operation – 7 minutes rest)

When installing the system in bathrooms or shower rooms, German VDE regulation 0100 Part 701 must be observed.

In the countries of destination, the standards, regulations, rules and directives that apply in that country must be imple-

mented.

The WCFIX PLUS is frost resistant down to a temperature of -20 °C when stored in dry conditions. Once the unit is installed, however, the residual water in the system must not be allowed to freeze.

ELECTRICAL CONNECTION



WARNING!

The pump must only be connected to electric circuits that have been installed properly in accordance with the regulations and are protected with at least 10 A (slow) and RCD-safety switches (30mA).

NOTICE! Only qualified electricians may carry out electrical works to the pump, connector plugs or controls.

NOTICE! Never put the mains plug or open cable end in water! If water gets into the plug, this can cause malfunctions and damage.

The relevant standards (such as EN standards), country-specific regulations (such as VDE in Germany), and the regulations of the local power supply companies must be observed.

Observe the operating voltage (see the type plate)!

No additional motor protection is required, since the system has an integrated coil thermostat.

Unacceptably high temperatures and long periods of continuous operation cause the thermostat to shut down the motor.



CAUTION!

The pump is switched on again automatically after cooling down - risk of injury!

For this reason, always disconnect the device from the mains before remedying the fault! In order to do this, unplug from the mains supply.

System controls

The WCFIX PLUS has a level controller that switches the pump on and off depending on the level of the water.

The start-up delay and shut-off delay are set via DIP switches on the control circuit board.

The mains-dependent alarm sounds to indicate a malfunction if the pumping operation continues for longer than 43 seconds. A potential-free fault indicator contact (5 A/250 V) on the circuit board can be used to relay the alarm.

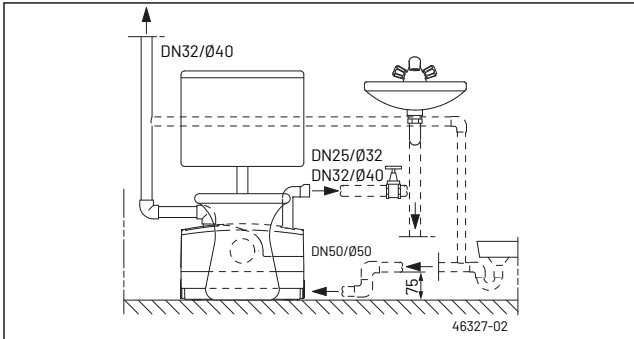
INSTALLATION

For front-wall installations

If the toilet is wall-mounted, the WCFIX PLUS is installed immediately adjacent to the toilet module. The unit is connected to the outlet bend of the front-wall installation via a 15° bend with a nominal diameter (DN) of 100 mm and high temperature resistance (HT). The WCFIX PLUS can be installed to the left or right of the toilet.

For free-standing toilets

The WCFIX PLUS is fitted directly to standard toilets (complying with DIN 1387 or 1388) with a horizontal outlet. The vertical distance between the mounting surface and the centre of the outlet branch must be at least 180 mm.



NOTICE! If a connecting pipe is fitted between the WCFIX and the toilet, this will result in malfunctions. This method of installation does not comply with the approval of the Deutsches Institut für Bautechnik (the German approval body for construction products and types of construction).

The distance between the wall and the end of the connection branch of the toilet must be at least 220 mm if the WCFIX PLUS is to be installed without moving the toilet.

NOTICE! The connection pipes from the shower and washbasin must be fitted with a so-called back-up bend, installed as close to the unit as possible. The pipe invert of this bend must be at a height of at least 75 mm above the mounting surface on which the unit is fixed. Air pockets in the connecting pipe can cause run-off problems and the water could back up. To prevent back-ups, the inlet pipe from the shower must be vented at its highest point. The ventilation pipe can be connected into the tank ventilation.

When installing a shower, the priority valve supplied with the unit must be inserted into the corresponding connection port.

NOTICE! We recommend installing a shut-off valve after the check valve in the pressure pipe. This allows the check valve to be serviced easily.

In the case of front-wall installations, the WCFIX PLUS should be installed before the panelling is fixed to the frame. This makes it easier to install the unit and to check the connections.

Instructions regarding ventilation of the tank

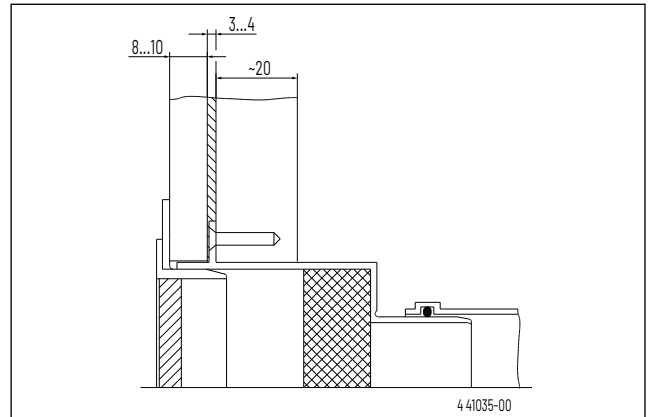
The tank ventilation is essential for proper operation of the system and must be fed out through the front-wall panel. A pipe with a nominal diameter of 40 mm and high temperature resistance (not supplied) can be used to connect the system to the ventilation insert (supplied) or to a roof vent. This connection pipe ensures that no damp air can escape from the tank into the room in which the WCFIX PLUS is installed, where it could otherwise cause hidden moisture-related damage or mould growth. An activated carbon filter is supplied with the unit to minimise unpleasant odours. The protective film must be removed before use. The filter can be replaced and serviced from outside via the ventilation grille. The ventilation insert can be fixed into the front wall at the top, the side or the front of the wall, if required. However, it must be installed above the height of all of the fixtures that are connected to the WCFIX PLUS.

If the WCFIX PLUS is not installed behind a front wall, an activated carbon filter can be fitted at the tank.

NOTICE! Activated carbon filters reduce unpleasant odours, whereas a roof vent prevents them.

A hole 76 mm in diameter must be drilled for the installation of the ventilation system.

Cross-section through the finished wall where the ventilation insert is installed. If the system is ventilated via a roof vent, then the ventilation insert and activated carbon filter are not required.



Instructions regarding the modules for front-wall installation

The WCFIX PLUS is compatible with all commercially available front-wall installation systems that have a footprint depth of at least 18 cm.

NOTICE! A maintenance hatch opening measuring at least 60 x 45 cm must be created. An installation kit for integrating a frameless, tiled maintenance hatch cover can be ordered separately, as an accessory (JP41075).

MOUNTING

Before commencing work, check the contents of the package and the conditions that need to be taken into account at the installation site. The inlet pipes and the pressure pipe must be installed in advance in the room where the unit is to be installed.

Fitting the connection pipes

Fit the toilet connector into the desired inlet opening. Make sure that the sealing lip is fitted properly in the tank.

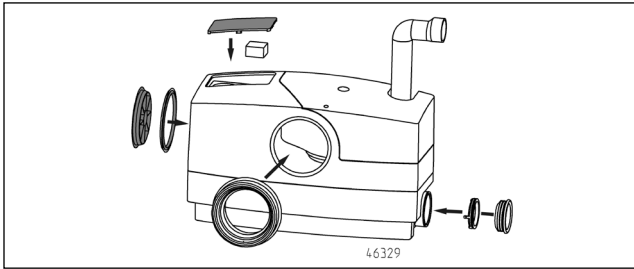
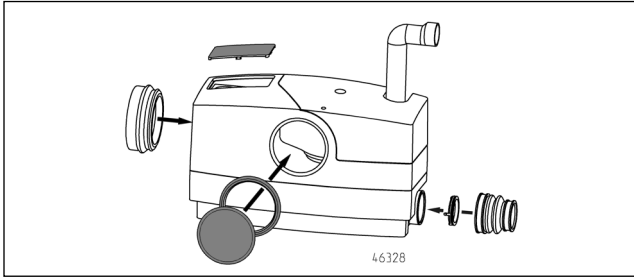
For the other inlets, remove the stopper and then use DN 50 plug-in seals or, in the case of front-wall installations, use the connection sleeves with hose clips.

NOTICE! When installing a shower, the priority valve supplied with the unit must be inserted into the corresponding connection port.

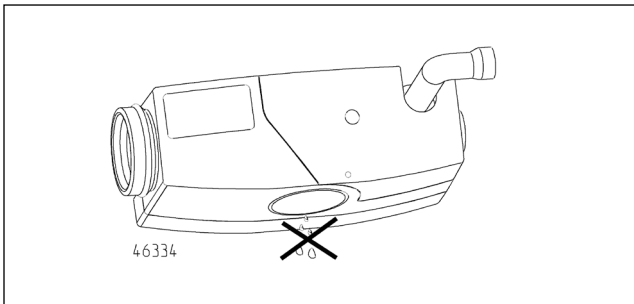
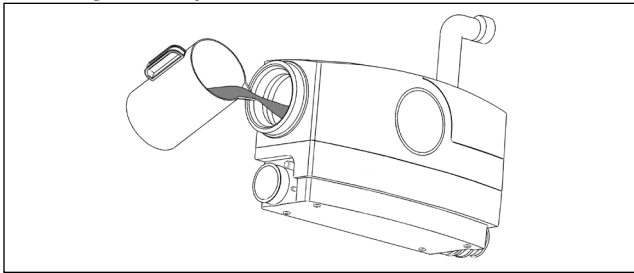
Before fitting the priority valve, lubricate the seal area with petroleum jelly. Then insert the valve into the open inlet port, making sure that it locks properly into place. Check that the valve flap works properly.

Seal the unused toilet inlet port

Insert the sealing ring into the unused toilet inlet port, making sure that the sealing lip is fitted properly in the tank. Then grease the seal and close the opening by fitting the cover.



Leakage test prior to installation

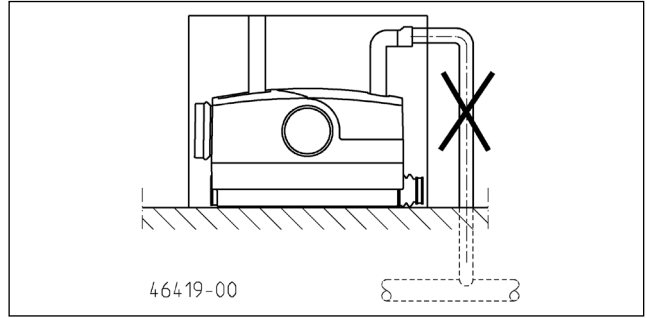
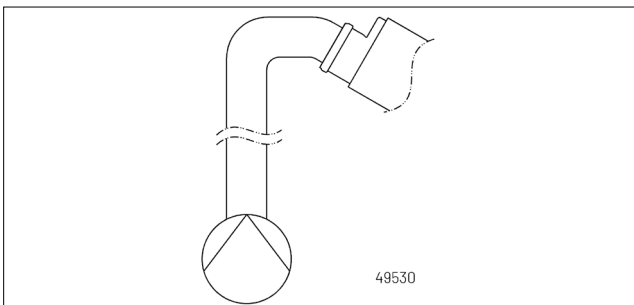


Installation

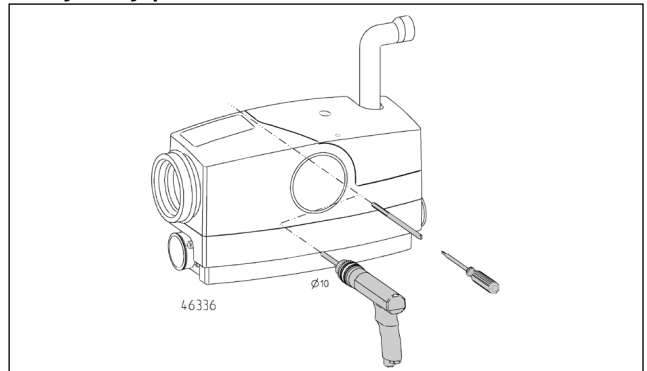
Push the WCFIX PLUS with the toilet connector onto the toilet connection branch or, in the case of front-wall installations, onto the outlet pipe. Make sure that the connections are fitted properly.

Connect the DN 50 inlet pipes using plug-in seals or, in the case of front-wall installations, with sleeves and clips.

Connect the pressure pipe with the pressure port discharge elbow and hose clips. In the highest point, the pressure pipe must be extended to avoid a suction lifter.



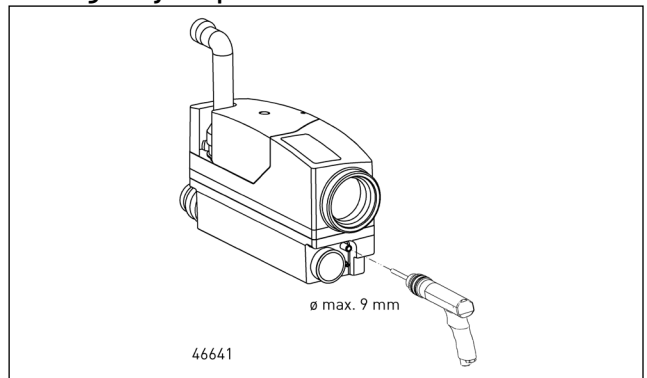
Buoyancy prevention



Sewage lifting units must be protected against buoyancy. The installation site should never be flooded.

A hole must be drilled for the wall plug, using a long drill with a diameter of 10 mm. The anti-buoyancy hanger bolt should later lie on the tank or have just a small amount of play. Insert the wall plug and screw the M8, 200-mm-long hanger bolt tightly into place.

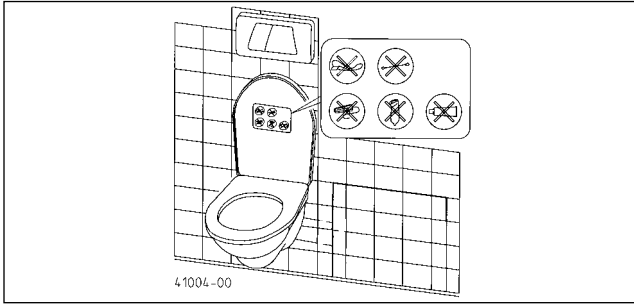
Emergency disposal



To drain the tank in an emergency, a section of garden hose-pipe be connected to the tank at the bottom on the right-hand side. First, you will have to open up the 13-mm-diameter port by drilling through it with a spiral drill (maximum diameter: 9 mm). Push the hosepipe onto the port and secure it with a hose clip (tightening torque: 1.5 Nm). Make sure that the outlet opening of the hosepipe is securely sealed.

Before installing the unit, fasten the DN 50 and DN 100 connecting sleeves to the discharge pipes using the clips (supplied). Make sure that they are properly fitted and do not leak.

NOTICE! All of the pipe connections must be properly sealed and free of leaks.



The sticker that is supplied with the unit and shows symbols giving instructions for use must be attached where it can be clearly seen by people using the toilet: for example above the toilet lid or on the inside of the lid.

Notice! Putting prohibited materials into the toilet can cause malfunctions, damage the unit and invalidate the warranty.

Practical tips

After using commercially available cleaning agents, flush the toilet several times to ensure that no aggressive cleaning agent residues are left in the WCFIX PLUS.

Toilet rim blocks must be fastened particularly securely to the toilet bowl rim so that they cannot be flushed into the unit.

Follow-up time

A short slurping sound should be heard at the end of a pumping process. With large delivery heads it may be necessary to readjust the run-on time. To do this, adjust the DIP switches S1 S2 on the control board. See circuit diagram on page 51.

SERVICING

NOTICE! Only qualified electricians may carry out electrical works to the pump or the controls.



WARNING!

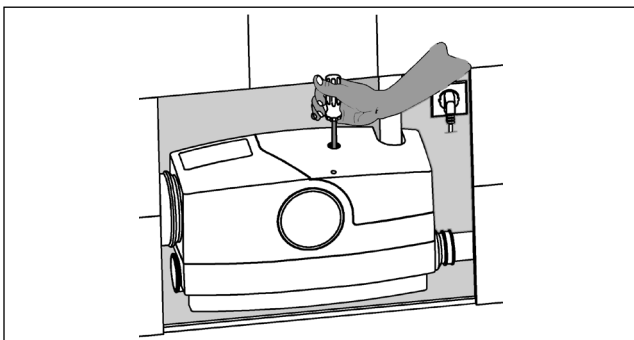
Before carrying out any works: disconnect the pump and the controls from the mains and take steps to ensure that no one else can reconnect them to the power supply.

When used properly, the WCFIX PLUS requires little maintenance. The unit should be checked at least once a year, however, to ensure that all of the connections are still watertight.

The activated carbon filter should be changed once a year.

Clearing blockages after an alarm

1. Open the maintenance hatch.



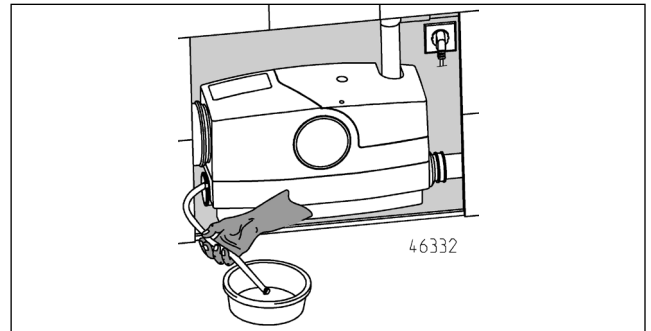
2. If the pump is sluggish or blocked, it can be set in motion again using a screwdriver, without any further disassembly. To

do this, remove the stopper from the hole in the cover. Insert a long screwdriver (Torx 30 or grub-screw H5) through the hole in the cover. Turn the screwdriver gently until it engages with the slot in the motor shaft and then turn the shaft forcefully in both directions to clear the blockage.

Then connect the mains plug to the power supply temporarily, to check that the pump now works properly.

3. If the unit still does not pump normally after completing step 2, then the motor/pump unit must be removed.

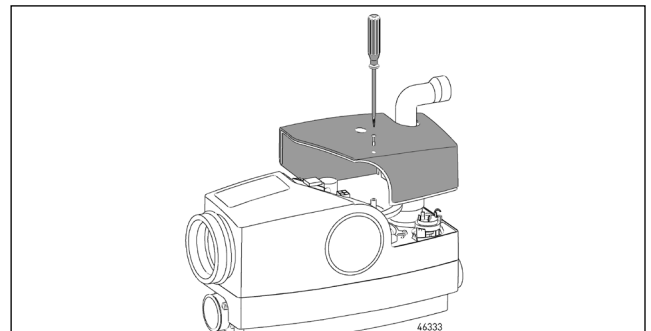
Before dismantling the unit, any water that is backed up in the toilet bowl and in the unit must be drained off. The emergency draining procedure can be carried out using an electric drill (n > 2000 RPM anticlockwise) and a 130-mm-long screwdriver bit.



If a hose was fixed to the tank during installation, then the water in the system can be drained away quite simply through the hose and into a shallow container. The hose must then be resealed using a suitable stopper.

The tank remains installed during the next steps. Only the motor/pump unit needs to be removed.

1. To do this, first unfasten the screw on the cover. Slide the cover gently towards the pressure pipe until it comes free. Then remove the cover.

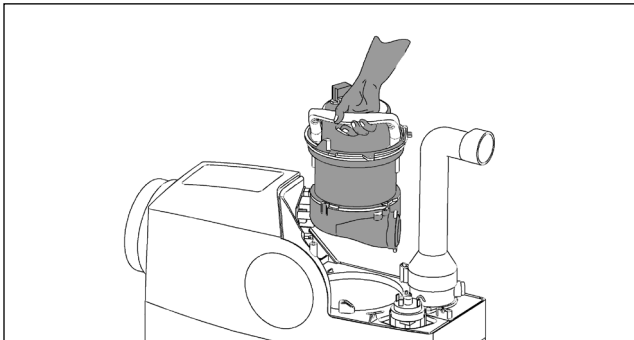
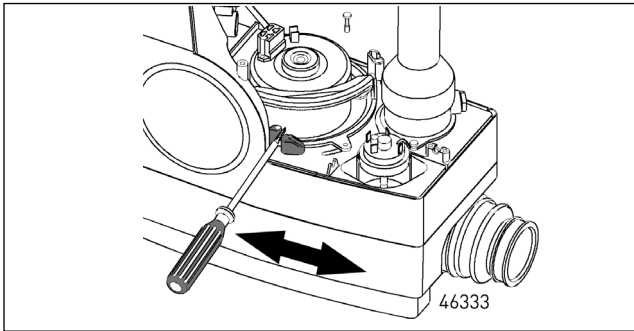


CAUTION!

The motor unit may be hot.

2. Now disconnect the condenser, connector plug and earth cable from the motor and unfasten the screw of the motor unit in the tank.

Loosen the motor/pump unit with a screwdriver, then grip the handle and turn the unit before lifting it out of the tank.



4. Remove any foreign matter from the tank and the pump through the suction opening and clean the components if necessary.

5. Carefully reassemble the parts in reverse order.

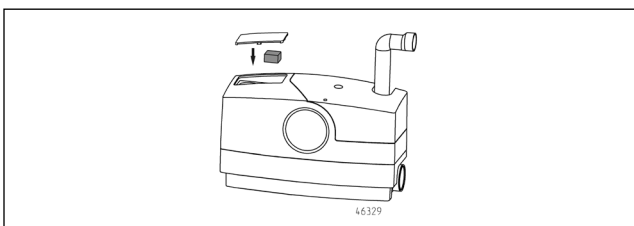
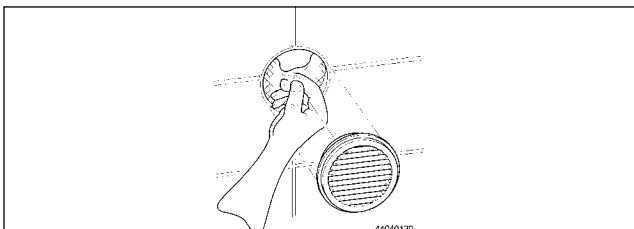
Notice! Before reassembly, the seal of the motor/pump unit must be cleaned and greased with petroleum jelly.

Press the motor/pump unit into the seal seat and couple it with the pressure pipe by turning anticlockwise. Then attach the connector plug and condenser and connect the earth cable.

Activated carbon filter

The installation of the activated carbon filter (in the accessory packet included in the scope of delivery) is recommended if unpleasant odours are present. To install or change the filter, remove the ventilation grille/cover from the ventilation housing. Take out the old filter and insert the new filter (after removing the protective film) into the opening. When servicing the unit or when the filter is saturated, replace the filter with a new one. Then replace the ventilation grille/cover.

If unpleasant odours are an issue, the filter should be replaced at least once a year.



Shut-off delay and start-up delay

These delay times are adjusted via DIP switches on the circuit board (s. Technical Data).

Software 5.0: Shut-off delay (S1-S3) and start-up delay (S4)

Software 6.08: Shut-off delay (S1-S2) and start-up delay (S3-S4)

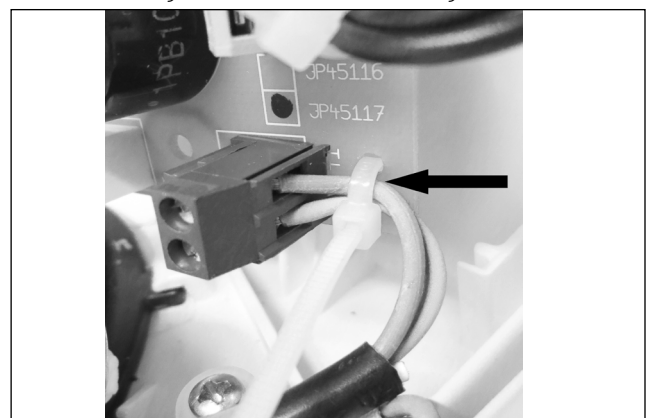
Connecting the potential-free fault alarm

A 2-lead sheathed cable with a rated voltage of at least 300/500 V (e.g. H05... or equivalent) must be used to connect to the potential-free normally open contact. To ensure that the strain-relief clamp functions properly, the diameter of the cable must lie between 6.5 and 8.0 mm.

- Strip only a short section of the cable (freeing a length of no more than 20 mm) and strip the leads. If the leads are fine or stranded, then use end sleeves.
- Keeping the sheathed cable above and parallel to the mains cable, feed the sheathed cable through the strain-relief clamp in front of the housing and then through the entry sleeve and into the unit (see image).



- Inside the unit, the cable is also laid parallel to the mains cable and through the plastic strain-relief clamp that lies in front of the circuit board.
- Feed the two leads through the cable tie on the circuit board to terminals 40/41. Once they have been connected to the terminals, tighten the cable tie (see image).



QUICK TIPS FOR REMEDYING FAULTS

WCFIX will not start up and water remains in the toilet bowl

- Check the mains voltage, fuse is defective
- mains cable is damaged. Notice! The special cable may be replaced only by our customer service or a qualified electrician.
- Impeller is blocked, see servicing instructions.

Water drains only very slowly from the toilet bowl

- Check the amount of flushing water available in the toilet cistern and set it to nine litres or to the maximum quantity if necessary. If more water than usual remains in the toilet bowl, flush again and repeat, if necessary, provided that the water continues to be pumped out. If this does not help, then please call customer service.
- Discharge head is too large.

WCFIX switches on repeatedly after normal pumping cycle

- Cistern valve is leaking and water flows constantly through the toilet bowl and into the unit.
- After the pump stops, water runs back into the WCFIX because the non-return valve is leaking or defective.
- Obstruction in the tank upstream of the pump, resulting in water only being pumped away at short intervals.

Noisy operation


- Foreign matter in the unit. Follow servicing instructions.
- Note. Due to the fact that the switching points are automatically calibrated after operation, a louder noise is heard after every 15th start-up.

Alarm signal sounds

- Running time too long (> 43 seconds), because the pressure pipe or pump suction opening is blocked.
- Water level in the WCFIX is too high, because the pump is obstructed or blocked.

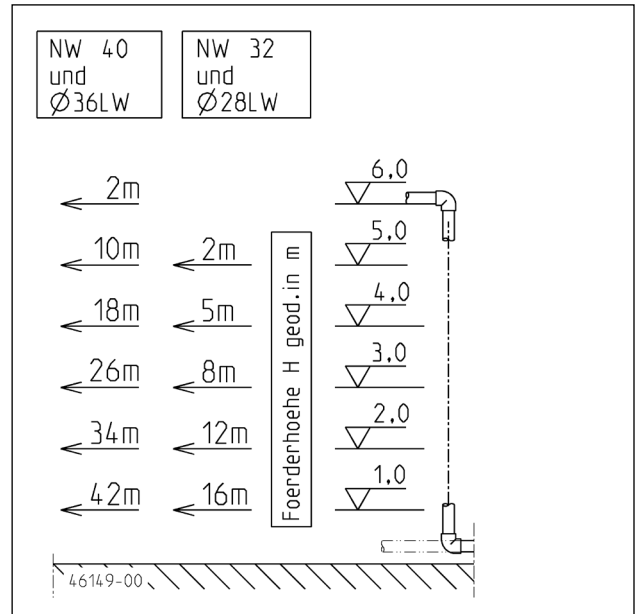
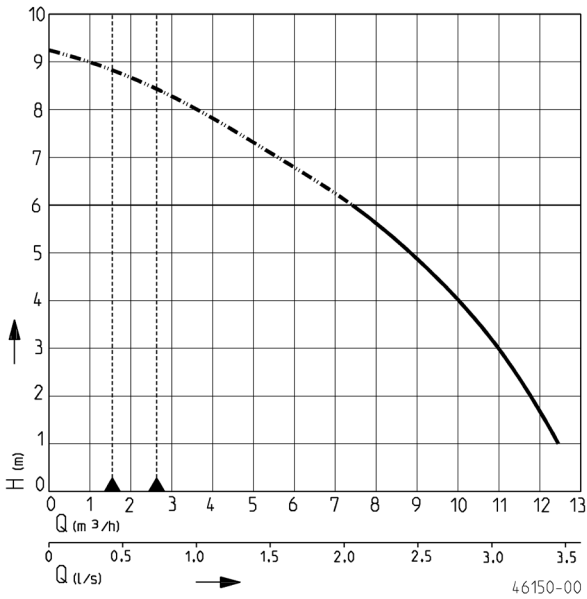
Periodic blocking

- No homogenisation of the waste matter = extend the shut-off delay time until sipping mode can be heard.

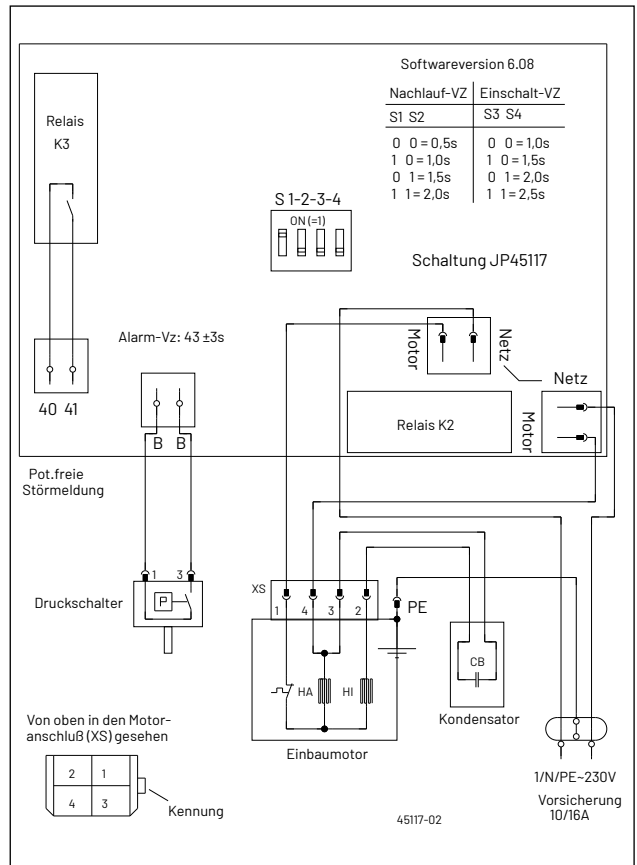
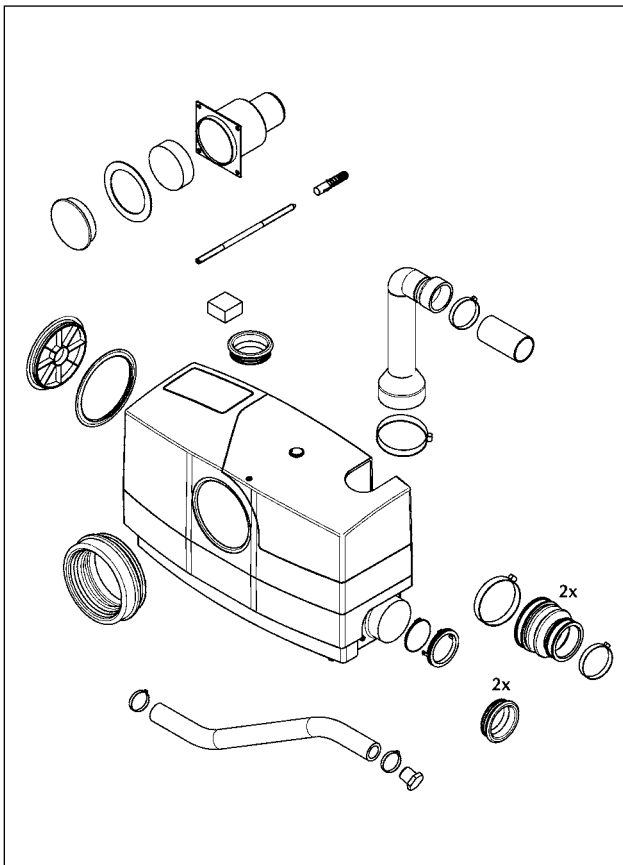
 0197
JUNG PUMPEN GmbH - Industriestr. 4-6 33803 Steinhagen, Germany 13 451.13.2210
EN 12050-3:2001 Lifting plant for limited applications
WCFIX PLUS GB (JP50687)
Automatic lifting of wastewater above the backflow level, for limited applications.

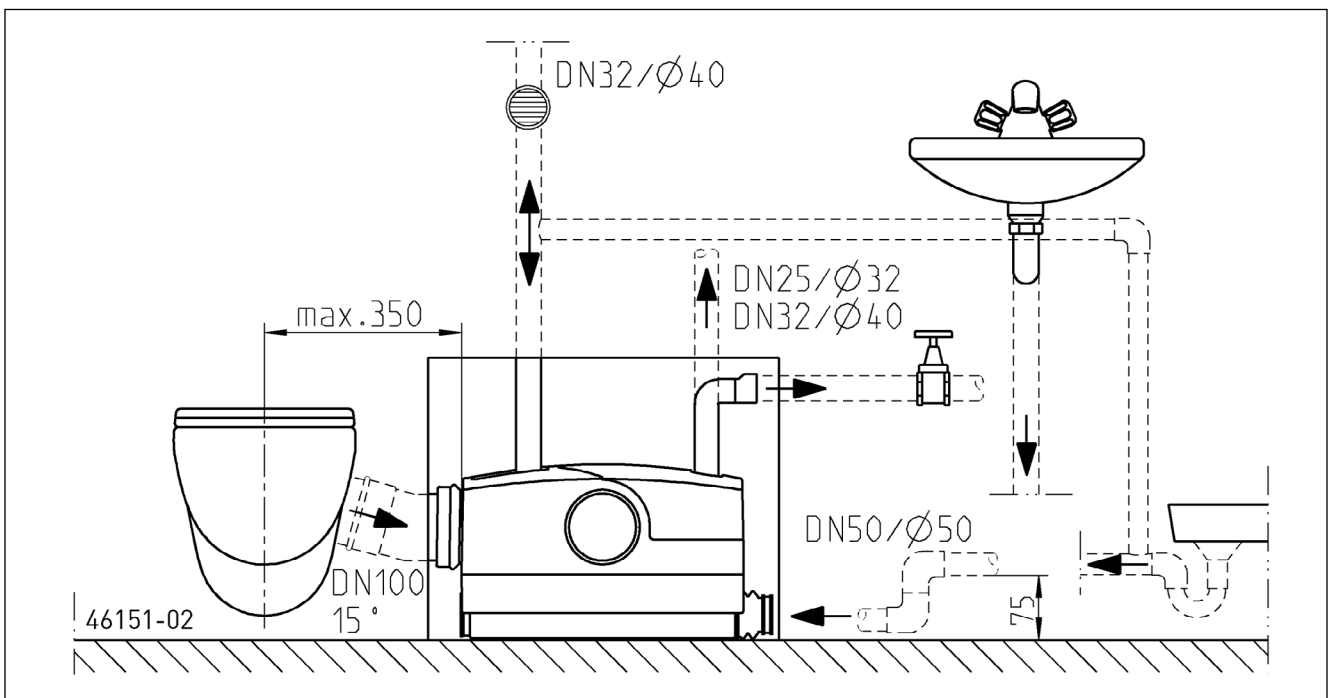
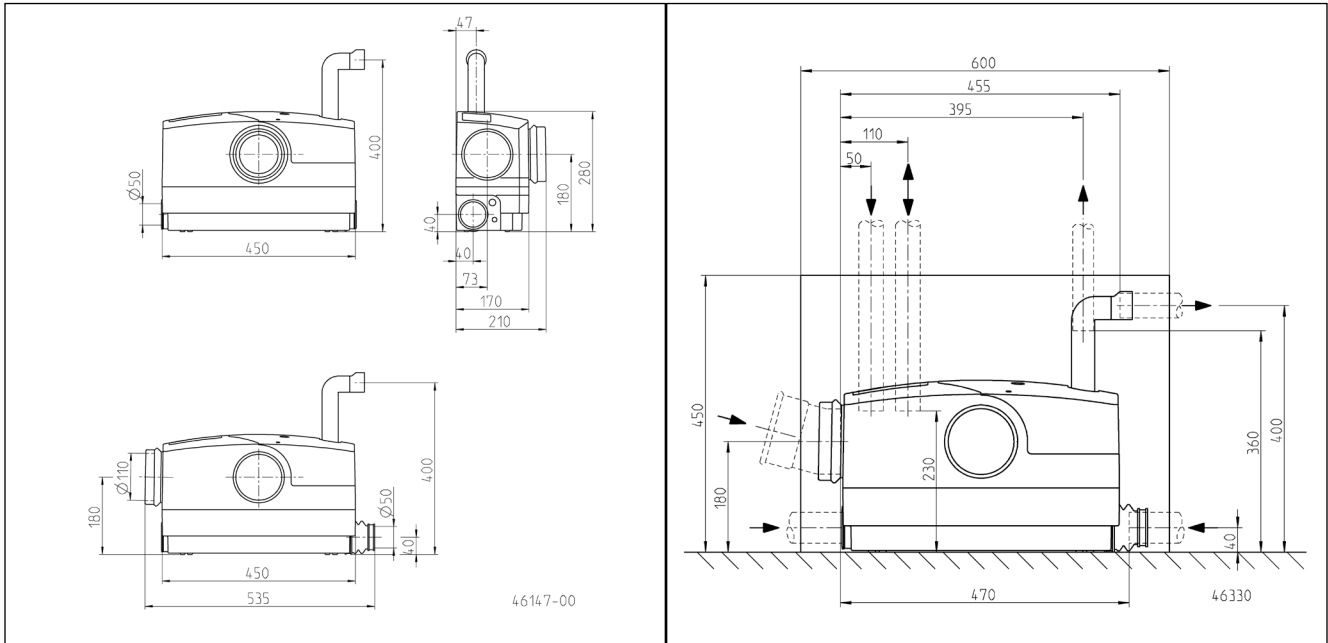
REACTION TO FIRE	NPD
WATERTIGHTNESS, AIRTIGHTNESS	
- Water tightness	Pass
- Odour tightness	Pass
EFFECTIVENESS (LIFTING EFFECTIVENESS)	
- Pumping of solids	Pass
- Pipe connections	Pass
- Minimum dimensions of ventilating pipes system	Pass
- Minimum flow velocity	Pass
- Minimum free passage of the plant	Pass
MECHANICAL RESISTANCE	Pass
NOISE LEVEL	70 dB(A)
DURABILITY	
- of structural stability	Pass
- of lifting effectiveness	Pass
- of mechanical resistance	Pass
DANGEROUS SUBSTANCES	NPD

Technische Daten - Technical Data - Caractéristiques Techniques - Technische Gegevens
 Dati tecnici - Dane Techniczne - 技术指标



- **DE** Max. waagrechte Druckleitungslänge inkl. 2 Winkel und Rückschlagklappe 1 1/4"
- **EN** Max horizontal length of pressure pipe incl. 2 elbows and a swing-type check valve 1 1/4"
- **FR** Longueur maximale de la conduite de refoulement horizontale incl. 2 jarret et clapet de retenue 1 1/4"
- **NL** Max. horizontale persleidingslengte incl. 2 hoeken en terugslagklep 1 1/4"
- **IT** Lunghezza massima della condotta a pressione orizzontale con 2 angoli e valvola di non ritorno 1 1/4"
- **PL** Maksymalna długość rurociągu ciśnieniowego w poziomie wraz z 2 kolanami i klapą zwrotną 1 1/4"





	[kg]	6,2
	DN	40
P1	[W]	730
P2	[W]	470
U	[V]	1/N/PE ~230
I	[A]	3,2
f	[Hz]	50

EU-Konformitätserklärung

EU-Prohlášení o shodě

EU-Överensstemmelseerklæring

EU-Declaration of Conformity

EU-Vaativuostenmukaisuusvakuutus

EU-Déclaration de Conformité

EU-Megfelelőségi nyilatkozat

EU-Dichiarazione di conformità

EU-Conformiteitsverklaring

EU-Deklaracja zgodności

EU-Declarație de conformitate

EU-Vyhlášení o zhode

EU-Försäkran om överensstämmelse

DE - Richtlinien - Harmonisierte Normen
CS - Směrnice - Harmonizované normy
DA - Direktiv - Harmoniseret standard
EN - Directives - Harmonised standards
FI - Direktiivi - Yhdenmukaistettu standardi

FR - Directives - Normes harmonisées
HU - Irányelve - Harmonizált szabványok
IT - Direttive - Norme armonizzate
NL - Richtlijnen - Geharmoniseerde normen
PL - Dyrektywy - Normy zharmonizowane

RO - Directivă - Norme coroborate
SK - Smernice - Harmonizované normy
SV - Direktiv - Harmoniserade normer

- **2006/42/EG (MD)**
- **2011/65/EU (RoHS)**
- **2014/30/EU (EMC)**

EN 809:1998/AC:2010, EN ISO 12100:2010, EN 60335-1:2012/A13:2017

EN 55014-1:2017/A11:2020, EN 55014-2:1997/A2:2008, EN 61000-3-2:2014, EN 61000-3-3:2013

JUNG PUMPEN GmbH - Industriestr. 4-6 - 33803 Steinhagen - Germany - www.jung-pumpen.de

DE - Wir erklären in alleiniger Verantwortung, dass das Produkt den aufgeführten Richtlinien entspricht.
CS - Prohlašujeme na svou výlučnou odpovědnost, že výrobek odpovídá jmenovaným směrnici.
DA - Vi erklærer under ansvar at produktet i overensstemmelse med de retningslinjer
EN - We hereby declare, under our sole responsibility, that the product is in accordance with the specified Directives.
FI - Me vakuutamme omalla vastuullamme, että tuote täyttää ohjeita.
FR - Nous déclarons sous notre propre responsabilité que le produit répond aux directives.
HU - Kizárólagos felelősségünk tudatában kijelentjük, hogy ez a termék megfelel az Európai Unió fentnevezett irányelveinek.
IT - Noi dichiariamo sotto la nostra esclusiva responsabilità che il prodotto è conforme alle direttive citate
NL - Wij verklaren geheel onder eigen verantwoordelijkheid dat het product voldoet aan de gestelde richtlijnen.
PL - Z pełną odpowiedzialnością oświadczamy, że produkt odpowiada postanowieniom wymienionych dyrektyw.
RO - Declaram pe proprie răspundere că produsul corespunde normelor prevăzute de directivele mai sus menționate.
SK - Na výlučnú zodpovednosť vyhlasujeme, že výrobok spĺňa požiadavky uvedených smerníc.
SV - Vi försäkrar att produkten på vårt ansvar är utförd enligt gällande riktlinjer.

WCFIX 260 (JP09268/1)

WCFIX PLUS (JP45367)

DE - Weitere normative Dokumente CS - Jinými normatívnymi dokumenty DA - Andre normative dokumenter EN - Other normative documents FI - Muiden normien FR - Autres documents normatifs HU - Egyéb szabályozó dokumentumokban leírtaknak IT - Altri documenti normativi NL - Verdere normatieve documenten PL - Innymi dokumentami normatywnymi RO - Alte acte normative SK - Iným záväzným dokumentom SV - Vidare normerande dokument

EN 60335-2-41:2021/A11:2021


VDE GS 40036067 (WCFix 260, WCFix plus)

EMC-VDE 115917 (WCFix 260)

DE - Bevollmächtigter für technische Dokumentation CS - Oprávněná osoba pro technickou dokumentaci DA - Autoriseret person for teknisk dokumentation EN - Authorized person for technical documentation FI - Valtuutettu henkilö tekninen dokumentaatio FR - Personne autorisée à la documentation technique HU - Hivatalos személyi műszaki dokumentáció IT - Persona abilitata per la documentazione tecnica NL - Bevoegd persoon voor technische documentatie PL - Pełnomocnik ds. dokumentacji technicznej RO - Persoană autorizată pentru documentație tehnică SK - Oprávněná osoba pro technickou dokumentaci SV - Auktoriserad person för teknisk dokumentation

JUNG PUMPEN - Stefan Sirges - Industriestr. 4-6 - 33803 Steinhagen

Steinhagen, 06-10-2022


Stefan Sirges, General Manager


i.V. _____
Pascal Kölkebeck, Sales Manager



UKCA-Declaration of Conformity

Legislation - Designated Standards

- **Supply of Machinery (Safety) Regulations 2008 (MD)** EN 809:1998/AC:2010, EN ISO 12100:2010, EN 60335-1: 2012/A13:2017
- **The Restriction of the Use of Certain Hazardous Substance in Electrical and Electronic Equipment Regulations 2012 (RoHS)**
- **Electromagnetic Compatibility Regulations 2016 (EMC)** EN 55014-1: 2017/A11:2020, EN 55014-2:1997/A2:2008, EN 61000-3-2:2014, EN 61000-3-3:2013

Name and address of the manufacturer: JUNG PUMPEN GmbH - Industriestr. 4-6 - 33803 Steinhagen - Germany - www.jung-pumpen.de

We hereby declare, under our sole responsibility, that the product is in accordance with the specified Legislation.

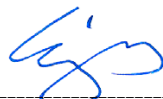
WCFIX PLUS (JP50687)

Other normative documents:

EN 60335-2-41:2003/A2:2010

Authorized person for technical documentation

JUNG PUMPEN - Stefan Sirges - Industriestr. 4-6 - 33804 Steinhagen
Steinhagen, 13-10-2022



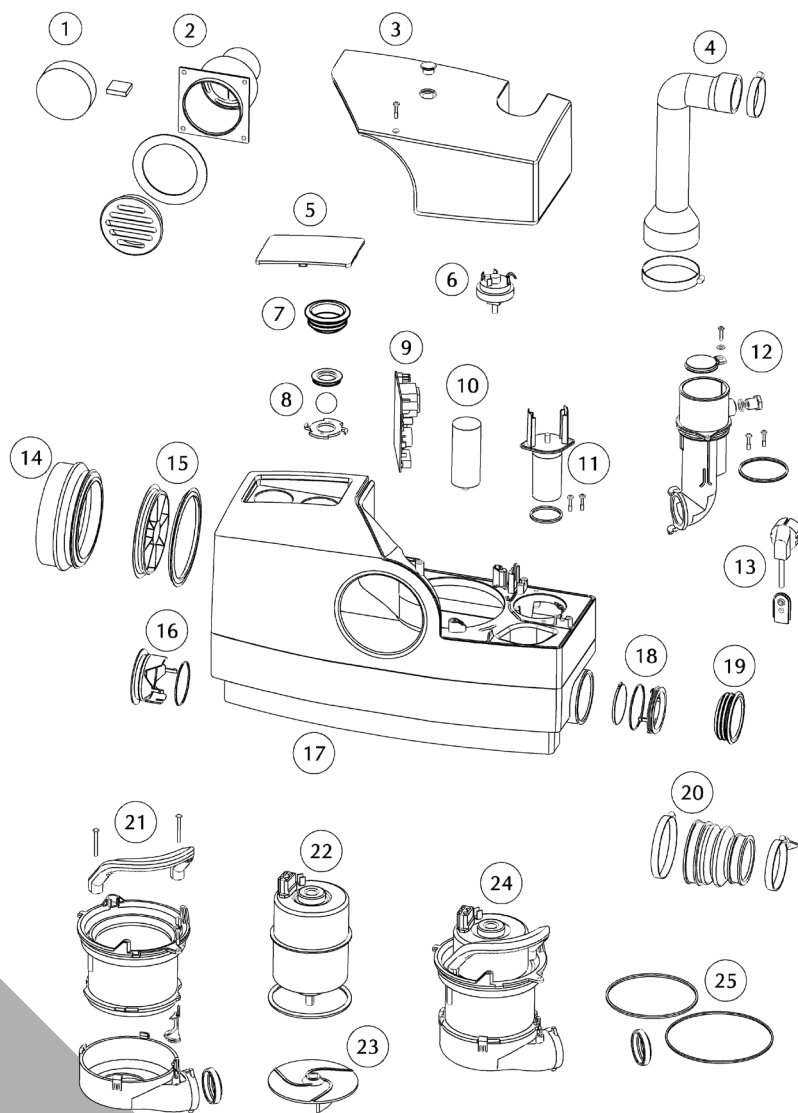
Stefan Sirges, General Manager



i.V. Pascal Kölkebeck, Sales Manager

WCFIX PLUS (JP45367)

Ersatzteile - Spare parts - Pièces de rechange - Reserveonderdelen - Parti di ricambio - Reservedele - Reservdelar
 Varaosat - Części zamienne - Náhradní díly - Alkatrészek - Piese de schimb - Запасные части - 备件



①	Filter	Filter	JP45092
②	Filtergehäuse	Filter housing	JP47205
③	Haube	Hood	JP47187
④	Druckabgang	Discharge connection	JP47191
⑤	Abdeckung	Cover	JP47186
⑥	Druckschalter	Pressure switch	JP47193
⑦	Steckdichtung	Plug in seal	JP45098
⑧	Lüftungsventil	Ventilation valve	JP47188
⑨	Platine	PCB	JP47189
⑩	Kondensator	Capacitor	JP47190
⑪	Staurohr	Pilot tube	JP47196
⑫	Rückschlagklappe	Reflux valve	JP47192
⑬	Netzleitung	Cable	JP47202
⑭	WC-Anschluss	Toilet connection	JP47197
⑮	Deckel DN 100	Cover DN 100	JP47198
⑯	Deckel DN 50	Cover DN 50	JP47199
⑰	Behälter	Tank	JP47194
⑱	Vorrangklappe	Priority valve	JP47195
⑲	Steckdichtung	Plug in seal	JP45099
⑳	Manschette	Collar	JP45100
㉑	Gehäuse	Housing	JP47204
㉒	Motor	Motor	JP47200
㉓	Lauftrad	Impeller	JP47201
㉔	Pumpeneinheit	Pump unit	JP47185
㉕	Motorabdichtung	Motor sealing	JP47203



**PUMP TECHNICAL
SERVICES LIMITED**



THE SUBMERSIBLE PUMP SPECIALISTS

✉ service@pts-jung.co.uk

✉ sales@pts-jung.co.uk

Pump House
Unit 12
Bilton Road Industrial Estate
Erith, Kent, DA8 2AN

☎ 01322 357 080

🌐 pts-jung.co.uk